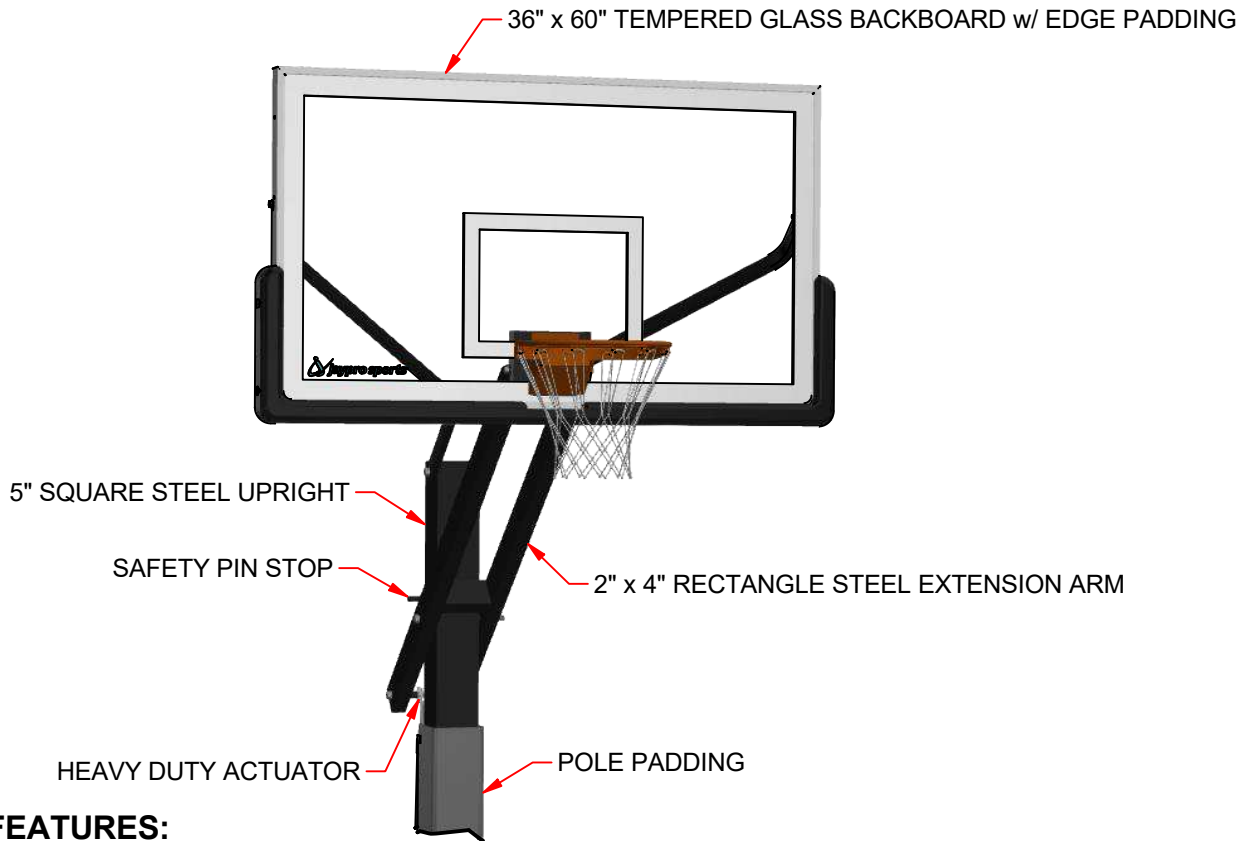
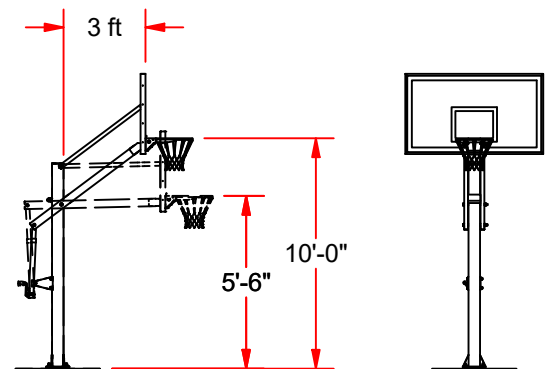
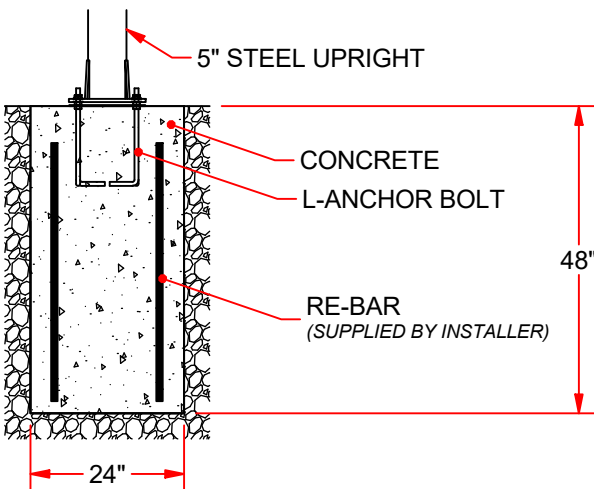


THE TITAN CVX1



FEATURES:

- > 3 FT OFFSET AT REGULATION HEIGHT
- > ADJUSTABLE HEIGHT OF 5.5 FT THRU 10 FT
- > 5" x 5" x 7 GAUGE (.180" WALL) POLE UPRIGHT
- > UPRIGHT & EXTENSION ARMS ARE CONSTRUCTED OUT OF HEAVY GAUGE STEEL
- > DUPLEX COATING, HOT-DIP GALVANIZED PLUS POWDER COAT COLOR BLACK
- > 36" x 60" TEMPERED GLASS BACKBOARD w/ BLACK EDGE PADDING
- > HEAVY DUTY ACTUATOR w/ DUAL ASSIST SPRINGS
- > BREAKAWAY RIM w/ NYLON NET
- > ALL STAINLESS STEEL HARDWARE
- > COMES WITH 2" PADDING FOR POLE & BASE PAD



TERRA BOUND
SOLUTIONS

CV553B
THE TITAN CVX1 5" x 5" POST CLEAR VIEW
BASKETBALL HOOP

terraboundsolutions.com
281-288-6693
920020 Hickory Twig Way,
Spring, TX 77388 USA

Sheet 1 of 1