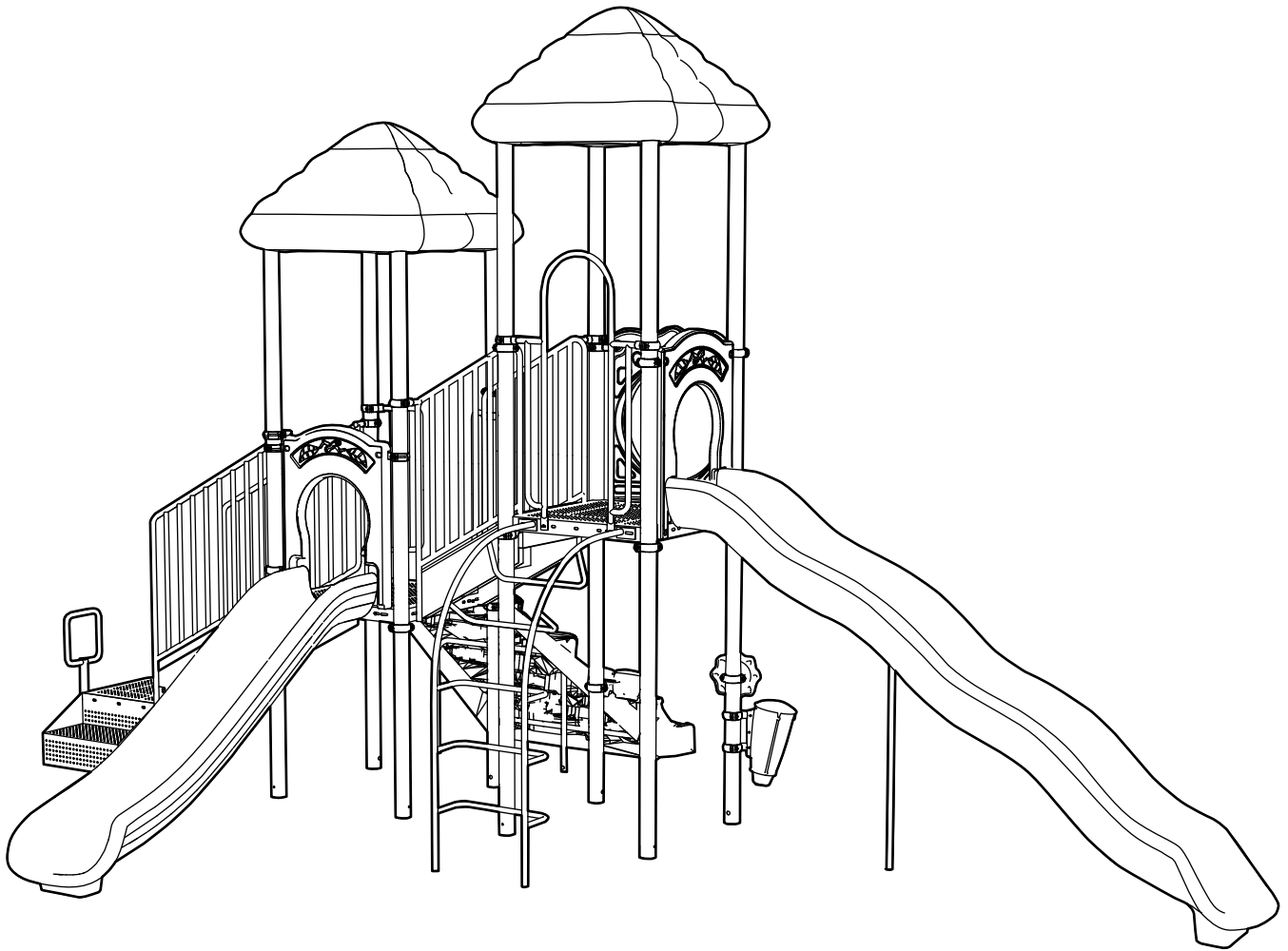


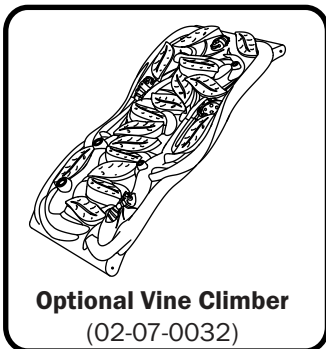
UPLAY TODAY™

P L A Y S Y S T E M S

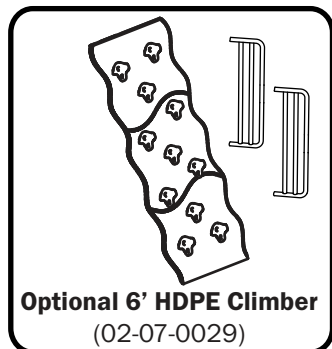


MODEL # AT-STND-P(N)

MODEL # AT-DELX-P(N)



Optional Vine Climber
(02-07-0032)



Optional 6' HDPE Climber
(02-07-0029)

UP & UP

ASSEMBLY INSTRUCTIONS

Dear UPlay Today™ Customer,

Thank you for choosing to purchase and install a UPlay Today™ commercial playsystem by UltraPlay™. We appreciate the confidence you have placed in our company and we will strive to earn your trust.

This is your UPlay Today™ Owner's Manual & Assembly Instructions booklet. We have designed this manual specifically for the products that you have purchased. Included in this manual you will find the following: a suggested maintenance schedule & record, safety guidelines, warranty information, product installation instructions, a 2-D top view drawing and the ground plan. Please save it for future reference.

The first several pages of this booklet contain important and valuable information regarding the general placement, installation and safety practices common to commercial play equipment. Please read this information carefully and use your best judgement as to how these guidelines apply to your specific situation.

If you have any questions concerning your new equipment, you can contact a UPlay Today™ Customer Service Representative at 1-800-458-5872 or reach them electronically by sending an e-mail to: customerservice@uplaytoday.com.

For more information on UPlay Today™ and UltraPlay™ products, please do not hesitate to give us a call or visit uplaytoday.com & ultraplay.com.

Thank you for your business; we look forward to working with you on all of your future play-ground equipment projects!

Sincerely,

UPlay Today™ PlaySystems by UltraPlay™
A PlayCore® Company

A PLAYCORE COMPANY
ultraPLAY

GENERAL COMMERCIAL PLAYGROUND SAFETY GUIDELINES

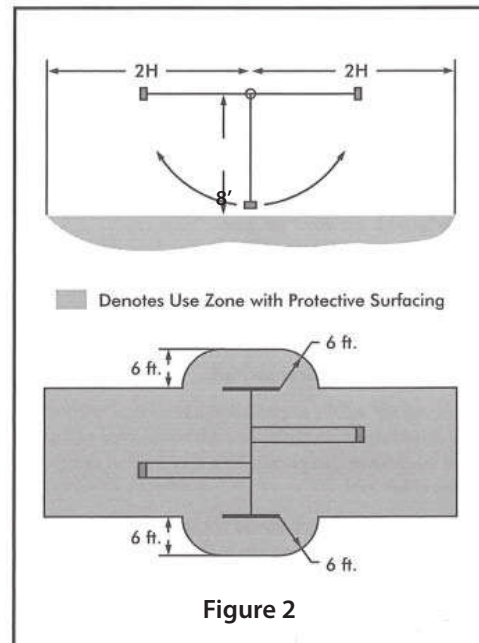
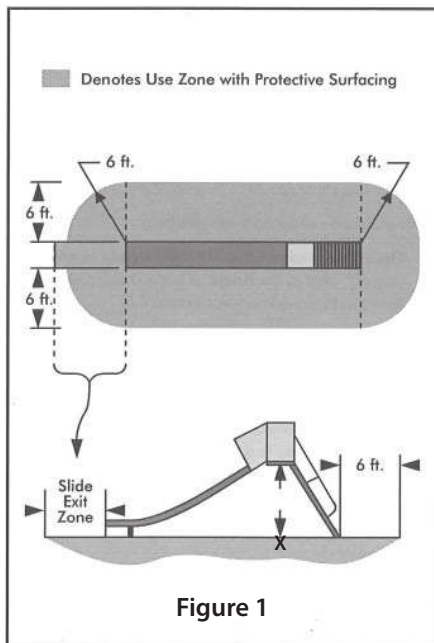
Maintaining your playground equipment as well as its surrounding area is essential to minimizing the risk of injury to users as well as maximizing its useful lifespan. UPlay Today™ STRONGLY recommends that you follow these Safety Guidelines in conjunction with conducting periodic maintenance inspections using the accompanying *Playground Maintenance Checklist*.

When installing your playground, always consider local conditions. Good common sense works hand-in-hand with the instructions.

LOCATING YOUR PLAY STRUCTURE:

Comply with the following when choosing the location for your new equipment:

Equipment shall be positioned to eliminate conflicting traffic patterns. As a general rule, allow at least 6' of free space around the entire structure, EXCEPT for slide exits, which require a distance X equal to the highest point of the sliding surface with a minimum of 72 inches and maximum of 96 inches from the edge of the slide. See Figure 1 below (example: a Wave Slide from a 6 foot deck requires 6 feet of clear space with resilient surfacing in front of its exit). Swings must have a minimum of twice the swing beam height of free space in front and behind them for safe circulation - See figure 2 below (example: a swing with an 8 foot high top rail requires 16 feet of free space in front and another 16 feet behind it, for a total of 32 feet). These minimum areas should be filled with the appropriate resilient surface material. Read further for resilient surfacing recommendations.



If your equipment includes any metal slides, they should be positioned in a shaded area, or at least be placed to avoid the direct rays of the sun.

Never overlap the safety zones of adjacent equipment. All separate play equipment must have

its own safety zone, and these cannot overlap. So, if you have an existing structure with a slide exit oriented toward your new one, add a minimum safety zone to that of the existing slide to determine how far away you need to be.

Never install playground equipment near, around, or in conjunction with swimming pools, ponds, lakes or any other bodies of water.

CHOOSING RESILIENT SURFACE MATERIAL:

Playground equipment must be installed on a soft, resilient, energy-absorbing ground surface. **NEVER INSTALL EQUIPMENT ON CONCRETE, ASPHALT OR EVEN GRASS!** A fall on a hard surface from even as low as a 3 foot high deck has been found to result in serious injury to the user. For most play equipment, these surfaces should contain a minimum of 12 inches of wood chips, mulch, sand, or pea gravel. For more information on the proper surfacing materials, call the CPSC hotline at 1-800-638-2772.

Soft, resilient surfacing should be placed in the use zones of all equipment, as specified for each type of equipment, and at depths to meet the critical fall heights as specified by the U.S. Product Safety Commission, ASTM standard F-1487 and Canadian Standard CAN/CSA-Z-614. Equipment should be placed to eliminate conflicting traffic patterns.

Worn surfaces around equipment should be restored. Concrete footing should never be exposed. Surface depth should comply with installation instructions.

Check for erosion and cratering of surfaces under swings, slides, and heavy traffic areas and restore surfacing as necessary.

Surfacing leading to play opportunities for children with disabilities should be firm, stable, slip resistant, and resilient.

Tip: If your surfacing is of the loose variety, checking for proper depth over time can be made easy by applying a non-removable fluorescent tape of paint in a bright color at the proper level on each upright post. Thereafter, as the resilient material compacts or washes away, the person responsible for regular maintenance inspections can easily see it must be replenished as the marks become visible.

OVERHEAD OBSTRUCTIONS:

Overhead obstructions within the use zones of playground equipment that are not part of the play structure (for example, tree limbs) shall be at least 84 inches (2130 mm) above each designated play surface or 84 inches (2130 mm) above the pivot point of swings.

All overhead utility line clearances above the use zone areas shall comply with all local, state, and national codes, such as the National Electrical Safety Code. For specific equipment fall zone requirements, refer to the CPSC and ASTM 1487 and use the more stringent of the two.

CATCH POINT & PROTRUDING HARDWARE:

There should be no dangerous pieces of hardware, such as protruding bolt ends and narrow gaps in metal connections or open “S” hooks at the top and bottom of swings. Exposed hard-

ware can cut children, puncture skin, or catch clothing drawstrings, which could strangle a child.

All protruding nuts and bolts should be eliminated; sharp edges on pipes should be capped or removed. Check for bent, broken, or severely worn pipe and replace. Examine slide bedways, bedrails, handrails and exits for foreign objects, holes, and rough edges.

TRIPPING HAZARDS:

There should be no exposed concrete footings, abrupt changes in surface elevations, tree roots, tree stumps, and rocks, which can trip children and adults. Check for trip hazards, such as the balance beam support posts, or environmental trip hazards, such as rocks or roots in the play area. Make all necessary improvements or repairs.

AFTER THE EQUIPMENT IS IN USE:

- Never add components not intended for use with this product.
- Never install other play equipment, fencing, landscaping, etc., which encroach upon the safety zones of this equipment.
- Check overall stability and rigidity of all play equipment.
- Check for proper assembly, installation and ground anchoring.
- Check and re-tighten all fasteners after the first few days of use and again after three weeks of use. Thereafter, exercise normal maintenance procedures. Use of a thread-locking compound on the threads of bolts can prevent persistent loosening.
- Swing “S” hooks must be completely closed. Replace worn “S” hooks and never re-use them.

ROUTINE MAINTENANCE:

Regularly inspect and maintain your playground equipment and its surrounding area to ensure the safety of the user. Proper maintenance of UPlay Today™ equipment includes using the accompanying Playground Maintenance Checklist found on the next page to identify areas requiring repairs or replacement, and barricading the equipment to prevent use while corrections are being made.

As the Owner/Operator of the equipment, you should establish and maintain detailed installation, inspection, maintenance, and repair records for each public-use playground equipment area. Find out if your playground has a designated official who periodically inspects the play equipment for preventative maintenance. This includes: replacing missing, broken or worn-out components; securing hardware; checking for deterioration in the metal or plastic materials; maintaining the proper 12 inch depth of surfacing material; and cleaning up debris.

Following are some regular maintenance areas of note:

- Check for and repair damage caused by wear or vandalism, a major factor in injury causing situations.
- Proper maintenance of UPlay Today™ equipment requires regular tightening of all bolts, nuts, set screws and other hardware.
- All equipment should be free of rust and repainted with an appropriate lead free paint when ever necessary to deter rusting. This should also be done for any chipped or peeling areas.
- Regular checking of all parts, casting, etc., should be made. If part is broken or worn it should be replaced immediately.

- Check for loose spring castings and tighten.
- Check for missing or broken parts, rungs, or steps and repair as necessary.
- Replace worn or damaged belt seats or other swing seats.
- Check for worn chains and replace them as needed.
- Check to be sure there is free movement of swing hanger and other moving attached parts.
- Check the vertical distance between the underside of the occupied swing seat and the protective surface. It should measure no less than 12 inches. Adjust swing seat height as necessary.
- Check for deformation of open “S” hooks, shackles, rings, links, etc. Check “S” hooks for excessive wear, making sure they are properly closed; never reuse an “S” hook.
- Check for worn swing hangers and chain. When these areas are identified, replacements should be made.
- Check for missing, damaged, or loose swing seats. Check rubber seats for wear, sharp edges/points, scorching, or burn damage. Repair and replace as needed.
- Check for swing chain wrapped around top rail and if found, unwrap. Replace chains as necessary.
- Check for hard surfaces, especially under swings, slides, etc. Refer to CPSC surfacing requirements.
- Check for surfacing material that is worn or scattered and restore.
- Debris, broken glass, trash, or other foreign objects within or on the play area/equipment should be removed.
- Check for poor drainage areas and repair.
- Check concrete footings to see if they are exposed, cracked, or loose in the ground and repair as necessary.
- Check for proper grease in tire swing assemblies and lubricate as necessary.
- Check drainage holes in tire swing tires for blockage and remove debris as necessary.
- Check for lack of lubrication on all moving parts and lubricate as needed.
- Check crush points (exposed mechanisms, junctures of moving components) and eliminate.
- Check for broken support/anchors. Stability in ground, structures should not be easily swayed; connections should be solid and adequately secured.
- Check all posts (wood and steel) in ground for corrosion or rot below grade.
- When flexible components are anchored in the ground, check and make sure anchoring devices are below the level of the playground.
- Check exit areas of slides. The exit area should be no more than 11 inches from the protective surface for slides under 4 feet high. For slides over 4 feet high, the height of the exit region from the surface should be between 7 and 15 inches.
- Check the surface area around slide exit for erosion and other damage and repair if necessary.
- Check for visible cracks, bending, warping, rusting, or breakage of any component and repair as needed.
- Check for accessible sharp edges or points. Check for protruding bars, bolts, nuts, etc. Eliminate these conditions.
- Check for exposed ends of tubing that should be covered with plugs or caps.
- Check for loose bolts, nuts, etc. and tighten.
- Check for broken or missing rails, steps, rungs, or seats and replace.
- Replace broken springs and seats on spring riders and other similar play events.

PLAYGROUND MAINTENANCE CHECKLIST

Maintaining your playground equipment as well as its surrounding area is essential to minimizing the risk of injury to users as well as maximizing its useful lifespan. UPlay Today™ recommends the following maintenance procedures be followed:

On a daily basis: A responsible individual should conduct a brief visual check for structural defects, signs of vandalism, and litter or foreign matter that needs to be removed.

On a weekly basis: A responsible individual should complete this checklist. Any required repairs should be detailed on the separate Detailed Maintenance Record, and once they are completed, both should be filed for future reference. A separate file and form should be kept for each play structure at each location.

IMPORTANT: Always refer to – and comply with – the separate Safety Guidelines. The play structure(s) should be barricaded so that it cannot be used while repairs are being completed.

	Item to be Checked <small>(Use the following page to record a brief description of the necessary repairs)</small>	OK	Repairs Required	Date Repaired
A.	Play Structure in General			
	Post and component footings are not exposed, cracked, or loose			
	1. Clamps show no sign of slippage, cracking, or failure			
	2. Clamp drive rivets and hardware are secure			
	3. Welds are intact and free of cracks			
	a. Slide and Deck Enclosures			
	b. Overhead Activities			
	c. Climbers			
	4. No rust or corrosion			
	5. No splintered, cracked, gouged or otherwise deteriorated plastics; check for integrity of the plastic, keep plastic clean of any extraneous substances, verify that any deformation does not create entrapment as specified on ASTM F-1487 Sec. 6.			
	6. No scratched, chipped, or peeling paint			
	7. Metal parts show no visible cracks, bending, warping, or breakage			
	8. No missing bolts & nuts, etc.			
	9. All bolts & nuts and fasteners are tight			
	10. All joints are secure (pay special attention to sectional slides, flush mounted decks, and pipe connections)			
	11. All swivels, bearings, grease fittings, and moving parts are well lubricated and not excessively worn (pay special attention to tot & strap swing seats)			
	12. No broken or missing parts			
	13. No sharp edges or unsafe protrusions (check metal corners, bolts, etc.)			
	14. No exposed mechanisms, junctions of moving parts, or components are posing possible pinch or crush points			
B.	Play Events			
	1. Plastic is not cut or cracked			
	2. All slide supports/anchors are intact and secure			
	3. All 'S' hooks are closed and not excessively worn			
C.	Swings			
	1. All 'S' hooks are closed and not excessively worn			
	2. No exposed metal on swing seats			
	3. Swing chain is in good condition and not excessively worn, especially at connection points			
	4. Connectors and chain have free movement			
D.	Surrounding Area			
	1. Resilient surfacing material is not scattered or excessively worn (pay special attention to area at the end of slides and under swings)			
	2. Resilient surfacing material is adequately deep and retains its fall absorbing abilities as specified at time of installation			
	3. Border around playground is in good condition and has not come loose			
	4. No roots, rocks, or other objects are causing a tripping or injury hazard			
	5. Area is clean of litter (no broken glass or bottles, etc.)			



UPlay Today™ Limited Warranties

Ten Years

Upright Posts:
Materials &
Workmanship

Five Years

Metal & Ground
Mount Metal Parts:
Materials &
Workmanship

One Year

All Products:
Materials &
Workmanship

All warranties specifically exclude damage caused by man-made or natural disasters, vandalism, negligence, improper installation or improper use, modification, changes in appearance resulting from weathering, scratches, dents, discoloration, normal wear and tear, or marring as a result of public or private use.

Claims are limited to replacement of equipment only and do not include any costs associated with labor, removal or installation of the original or replacement product.

Warranties are valid only if products are installed and maintained in accordance with UltraPlay installation instructions and use of approved parts.

UPlay Today™ Warranty

UltraPlay Systems, Inc. warrants its products to be free from defects in materials and/or workmanship, subject to normal usage and installation, for a period of 1-year from the date of shipment to the original purchaser. In the event of a claim under this warranty, UltraPlay Systems will replace the component at no cost within the first 12 months from date of shipment to the original customer. Equipment not specifically addressed in the following paragraphs is also subject to this limited 1 year warranty against defects in materials and/or workmanship.

TEN-YEAR LIMITED WARRANTY ON UPRIGHT POSTS

UltraPlay Systems provides a limited warranty on metal upright posts to be free from defects in materials or workmanship against structural failure which causes the product to become unfit for its intended use, subject to normal usage and installation, for a period of 10 years from the date of shipment to the original customer.

FIVE-YEAR LIMITED WARRANTY ON METAL PARTS

UltraPlay Systems provides a limited warranty on metal decks, steps, stairs, rails, pipes, support posts, rungs, loops, swing frame yokes and clamps to be free from defects in materials or workmanship against structural failure which causes the product to become unfit for its intended use, subject to normal usage and installation, for a period of 5 years from the date of shipment to the original customer.

FIVE-YEAR LIMITED WARRANTY ON GROUND-MOUNT METAL PARTS

UltraPlay Systems provides a limited warranty on metal footers, inground footers, surface mount plates, ground spikes, slide and climber mounting posts and plates to be free from defects in materials or workmanship against structural failure which causes the product to become unfit for its intended use, subject to normal usage and installation, for a period of 5 years from the date of shipment to the original customer.

THREE-YEAR LIMITED WARRANTY ON PLASTIC PARTS

UltraPlay Systems provides a limited warranty on the following plastic parts: slides, climbers, roofs, tunnels, bridges, panels, and border timbers. These components are warranted to be free from defects in materials or workmanship, subject to normal usage and installation, for a period of 3 years from the date of shipment to the original customer.

ONE-YEAR LIMITED WARRANTY ON HARDWARE

UltraPlay Systems provides a limited warranty on hardware to be free from defects in materials or workmanship against structural failure due to breaking or shearing, subject to normal use and installation, for a period of 1 year from the date of shipment to the original customer.

ONE-YEAR LIMITED WARRANTY ON HDPE CLIMBERS AND HDPE SPRING RIDERS

UltraPlay Systems provides a limited warranty on high density polyethylene (HDPE) climbers and HDPE spring riders against degradation for a period of 1 year from the date of shipment to the original customer.

ONE-YEAR LIMITED WARRANTY ON SPRING RIDER METAL PARTS

UltraPlay Systems provides a limited warranty on metal springs, bases and brackets of spring riders to be free from defects in materials or workmanship against structural failure which

causes the product to become unfit for its intended use, subject to normal usage and installation, for a period of 1 year from the date of shipment to the original customer.

ONE-YEAR LIMITED WARRANTY ON STRAP AND TOT SEAT

UltraPlay Systems provides a 1 year limited warranty on strap and tot swing seats against structural failure that causes the seat to become unfit for its intended use. Additionally, chain, "S"- hooks and hangers are covered under a one-year limited warranty from the date of shipment to the original customer.

LIMITED WARRANTY ON SITE FURNISHINGS

UltraPlay Systems provides a five-year limited warranty on the finish of thermoplastic coated site furnishings from the date of shipment to the original customer. Additionally, all site furnishings are guaranteed to be free from defects in materials or workmanship for one-year from the date of shipment to the original customer.

All warranties specifically exclude damage caused by man-made or natural disasters, vandalism, negligence, improper installation or improper use, modification, changes in appearance resulting from weathering, scratches, dents, discoloration, normal wear and tear, or marring as a result of public or private use.

Claims are limited to replacement of equipment only and do not include any costs associated with labor, removal or installation of the original or replacement product.

Warranties are valid only if products are installed and maintained in accordance with UltraPlay installation instructions and use of approved parts.

This warranty is applicable to the original owner only. Warranties are non-transferable.

Claim Procedure: To make a warranty claim, send your written statement of claim, photographs of defective equipment, and the original purchase invoice or invoice number to:

UPlay Today™ PlaySystems
Customer Service
1675 Locust Street
Red Bud, IL 62278

Or Contact a Customer Service Representative at:
1-800-458-5872

Within 60 days of notice of claim under warranty, UltraPlay Systems will make arrangements to replace the damaged product. UltraPlay Systems will cover freight costs within the continental United States. UltraPlay Systems is not responsible for freight costs associated with products located outside the continental United States. UltraPlay Systems reserves the right to inspect all products identified as defective. Photos of defective equipment may be required to accompany warranty claims.

Since warranty limitations and exclusions may vary from state to state, you should check any specific warranty rights in your state.

Date of Purchase: _____

Purchaser: _____

UltraPlay Invoice Number: _____

Authorized UltraPlay Signature

Title

Visit UltraPlay on the web at www.ultraplay.com & www.uplaytoday.com



Consider these UPlay Today™ Add-On Equipment Upgrades to Enhance the Fun of Your PlaySystem!

Add a 6 foot Tower Package to Your Age 2-5 UPlay Today™ Structure to Make It Appropriate for Ages 5-12!



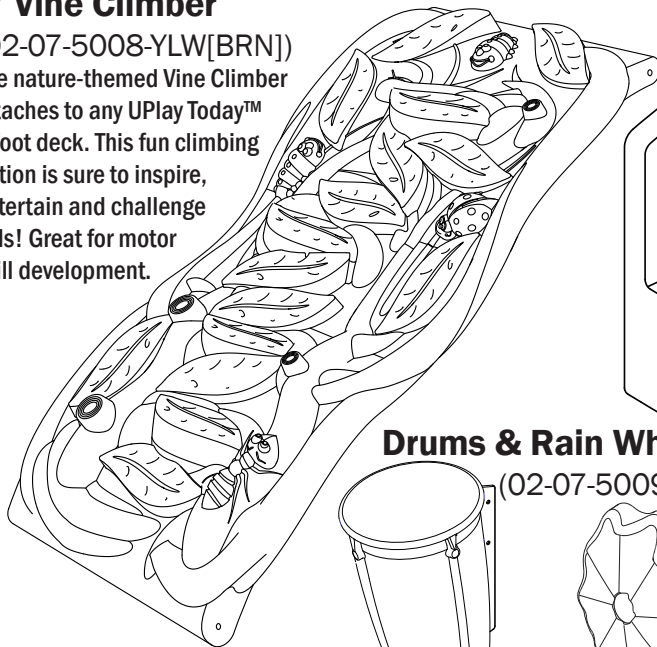
**T-DELX-P(N)
Deluxe Tower Package**
Includes:
(4)13' Posts & 36" Deck Roof
2' Stair Section
6' Wave Slide & Hood
6' HDPE Climbing Wall



**T-STND-P(N)
Standard Tower Package**
Includes:
13' Posts & 36" Deck Roof
2' Stair Section
6' Wave Slide & Hood
6' Rung Climber

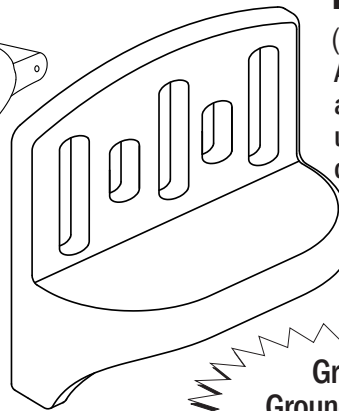
4' Vine Climber

(02-07-5008-YLW[BRN])
The nature-themed Vine Climber attaches to any UPlay Today™ 4 foot deck. This fun climbing option is sure to inspire, entertain and challenge kids! Great for motor skill development.



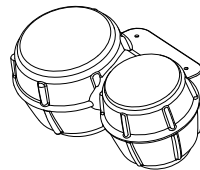
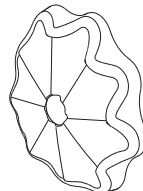
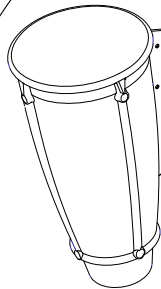
Bench Panel

(02-07-5014-YLW[GRN])
Add a Bench Panel to your structure anywhere you have two unobstructed upright posts. Great for socialization development!



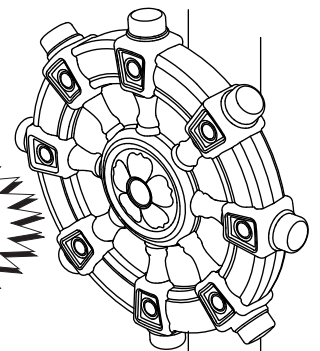
Drums & Rain Wheel Set

(02-07-5009-RED[TAN])



Add an extra set of these popular below-deck activities anywhere there are two unobstructed upright posts. Great addition for Accessible play.

Great Ground-Level Activities!



Post-Mount Ship's Wheel

(02-07-5021-YLW[GRN])
Add a Ship's Wheel at ground level where you have one unobstructed upright post. Great for imaginative play!

Order online @ uplaytoday.com or call 1-800-458-5872

GENERAL INTRODUCTION TO INSTALLATION INSTRUCTIONS

IMPORTANT! Please read the entire Installation Instructions packet before beginning the installation.

UltraPlay™ has designed UPlay Today™ PlayStems to take advantage of all Consumer Product Safety Commission (CPSC) and ASTM guidelines in force at the time of purchase in an effort to prevent playground accidents. However, because studies have shown most playground injuries result from accidental falls, you, as the new owner of this equipment are responsible for providing an adequately resilient play surface under and around all playground equipment. Please refer to the accompanying Safety Guidelines as well as CPSC guidelines and this document for examples of such surfacing.

We would like to provide the following suggested guidelines for your play environment:

- Refer to the Footing Diagram and note the Minimum Area Required shown for this structure. This area must be filled with adequate resilient play surface material, and must be clear of all obstacles, including but not limited to trees, curbing, sidewalk, fence, other play equipment, rocks and landscaping, etc.
- Acceptable play surfaces include sand, mulch, fine gravel or shredded belt-less tires, if installed at the appropriate depths per CPSC guidelines for play surfacing.
- When using sand, mulch, or shredded belt-less tires, a minimum of 6" depth is recommended by the CPSC. UPlay Today™ recommends an additional 6", for a total of 12", to combat the fast compacting characteristics of these materials. Surfaces must be checked at least weekly for compacting, which reduces resiliency significantly.
- Surfaces such as asphalt, concrete, gravel, or sod are not acceptable for use under playground equipment, or anywhere within the stated Minimum Area Required.
- Close supervision of children playing on or around the structure is strongly recommended, along with classroom and /or home instructions on safe behavior on the playground equipment. The full supervision of playgrounds is the responsibility of the owner once the play structure has been properly installed.

TOOLS REQUIRED:

UltraPlay™ supplies only the special wrench required to fasten the "tamper-resistant" bolts. You will need common wrenches and an Allen key set, as well as a drill, string line, level, mallet, shovels, post hole digger, pry bar, washable felt tip marker, and a tape measure. A powered hole digger may facilitate installation in some circumstances.

INSTALLATION GUIDELINES:

1. Compare all parts received to the packing list. Notify UltraPlay™ immediately of any missing parts. We are not responsible for parts discovered missing over 10 days after receipt of the shipment.
2. Refer to your Footing Diagram to ensure this structure will fit into your actual site area. Note the Minimum Area Required measurements to determine clear space required. A minimum of 6' clearance is required between any obstacles and your structure. EXCEPT for slide exits, which require a distance X equal to the highest point of sliding surface with a minimum of 6' and a maximum of 8' from the edge of the slide (example: A Wave Slide from a 6' high deck requires 6' of clear space with resilient surfacing in front of its exit).
3. Site selection should include considerations of what is a safe and appropriate play area:
 - A level and clear site is ideal, free of power lines or electrical equipment.

- Do not install play equipment near any bodies of water.
 - If adjacent to a street with traffic, ensure adequate fencing acts as a barrier to children running into danger.
4. Site layout should include accurate measurement and marking of all footings prior to any installation. Use the dimensions shown between footings on the Footing Diagram to plot out the actual footprint of the play structure before doing any digging. Also locate any free-standing play equipment in the same way, providing the necessary clearance between the equipment as well as any fences, trees, etc. Ensure at this time you have enough total space for the equipment to be installed.
5. If using Inground footers, excavate holes as shown in the Footing Diagram using a string line. An optional string line level is very helpful. If a level and clear site is not possible, adjust the depth of the footings to maintain a minimum depth of 24" for support posts at the lowest grade. NOTE: If soil conditions are very loose or otherwise unstable, a larger diameter footing may be required. Inquire with local contractors for appropriate recommendations.
6. Begin your UPlay Today™ PlaySystem installation by erecting the decks as shown within the following instructions. Once all decks are installed, components such as slides, climbers, etc., can be connected per their respective assembly instructions. Note that connecting components between decks such as Crawl Tunnels and Bone Bridges should be installed concurrently with the decks to ensure they are accurate.
7. CPSC guidelines mandate that there shall be no gaps present in the playground equipment which fall between 3-1/2" and 9". The positioning of certain components by the installer can affect this criteria, so you should always measure distances created when attaching components in order to avoid these spaces which can cause entrapment of a child using the equipment. Also, ASTM requires that no more than 2 threads of a bolt can protrude from the nut. Any excess threads should be filed down and made smooth to the touch.
8. When concrete is poured, be sure to keep the top 4" below the grade, and sloped away from the post to promote good water drainage. Wash off any concrete, which may have splashed onto the post before it dries. Allow all concrete to harden a minimum of 48 hours before allowing use.

SAFETY DURING INSTALLATION:

1. Before doing any excavation, inquire about any existing underground utilities.
2. Do not leave the job site unattended without making sure that all fastening hardware on all equipment are tightened and all Drive Rivets are in place to prevent clamps from moving, in case of unauthorized use. UPlay Today™ CLAMPS ARE NOT DESIGNED TO SUPPORT HUMAN WEIGHT WITHOUT THE DRIVE RIVETS INSTALLED, AND SUCH USE COULD CAUSE INJURY TO THE USER AND/OR DAMAGE TO THE EQUIPMENT. It is also strongly recommended that all installation areas be roped off with clearly marked warning signs posted. Any open footings should be covered with plywood or other suitable material. Even during installation, it has been found that children will use the unattended equipment, thereby risking accidents.
3. If concrete footings and inground footers are being used, it is strongly recommended that the installation area should remain roped off for at least 48 hours after the last concrete footing is poured. Children should not be allowed to use the equipment during this period so that concrete has a chance to fully cure.
4. Do not attach swing chains or similar moving components until after all construction is complete and resilient surfacing material has been installed. Remember that any equipment, which appears to be complete and functional, will invite unauthorized use regardless of its actual state of readiness.

Finally, if you should have any questions regarding the proper installation of this equipment, please contact UltraPlay at:

UltraPlay Systems
UPlay Today™ Customer Service
1675 Locust Street, Red Bud, IL 62278
1-800-458-5872 Fax 1-618-282-8202
E-mail: customerservice@uplaytoday.com

WARNING LABEL APPLICATION INSTRUCTIONS

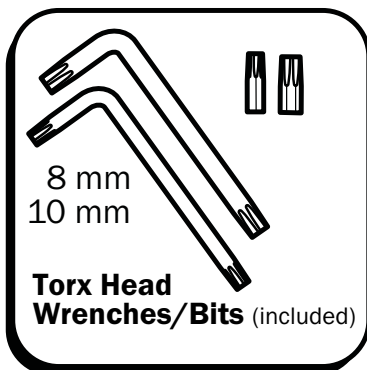
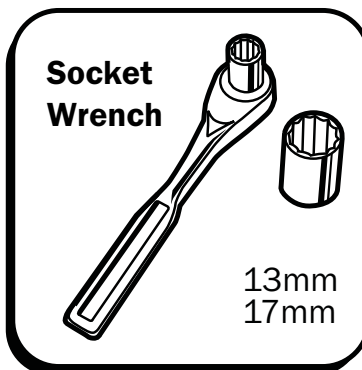
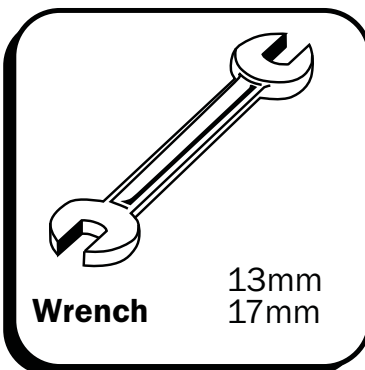
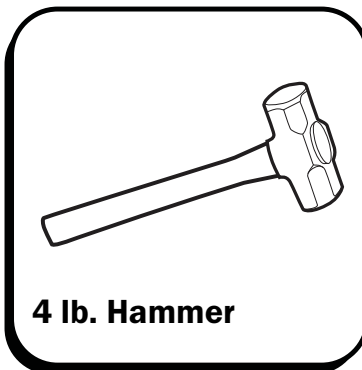
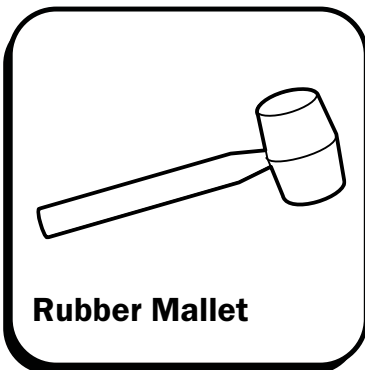
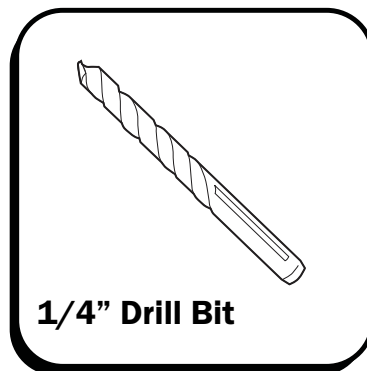
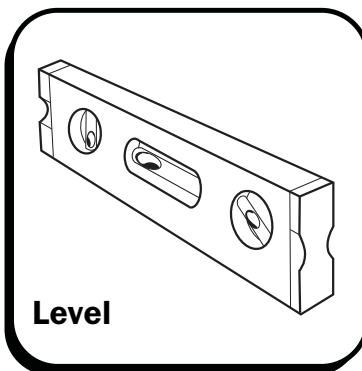
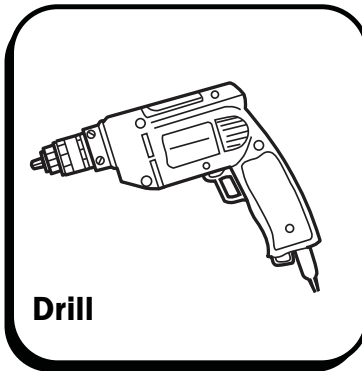
The enclosed Warning Labels must be affixed to your playground equipment. At least one Warning Label is needed per play structure, permanently affixed in a conspicuous location within easy view of users.

INSTRUCTIONS:

1. Fully assemble and install your UPlay Today™ playground equipment per the accompanying installation instructions.
2. When installation of the equipment is complete, and prior to allowing use of the equipment, identify a suitable location on the structure to receive the Warning Label. An upright post is recommended, approximately 4 feet above the ground. Choose an upright post most likely to be seen by the user immediately upon entry into the play area.
3. Fully clean the surface to receive the label with soap and water, and ensure that no oils, film, or dirt remain.
4. Allow surface to dry fully. Apply the Warning Label, smoothing over the surface with a clean cloth so there are no air bubbles present.
5. For larger structures (more than 16 upright posts), use 2 labels, positioning one at each end of the structure. Always choose locations, which are likely to be seen by users prior to use of the equipment, preferably near the entry point of the play area.

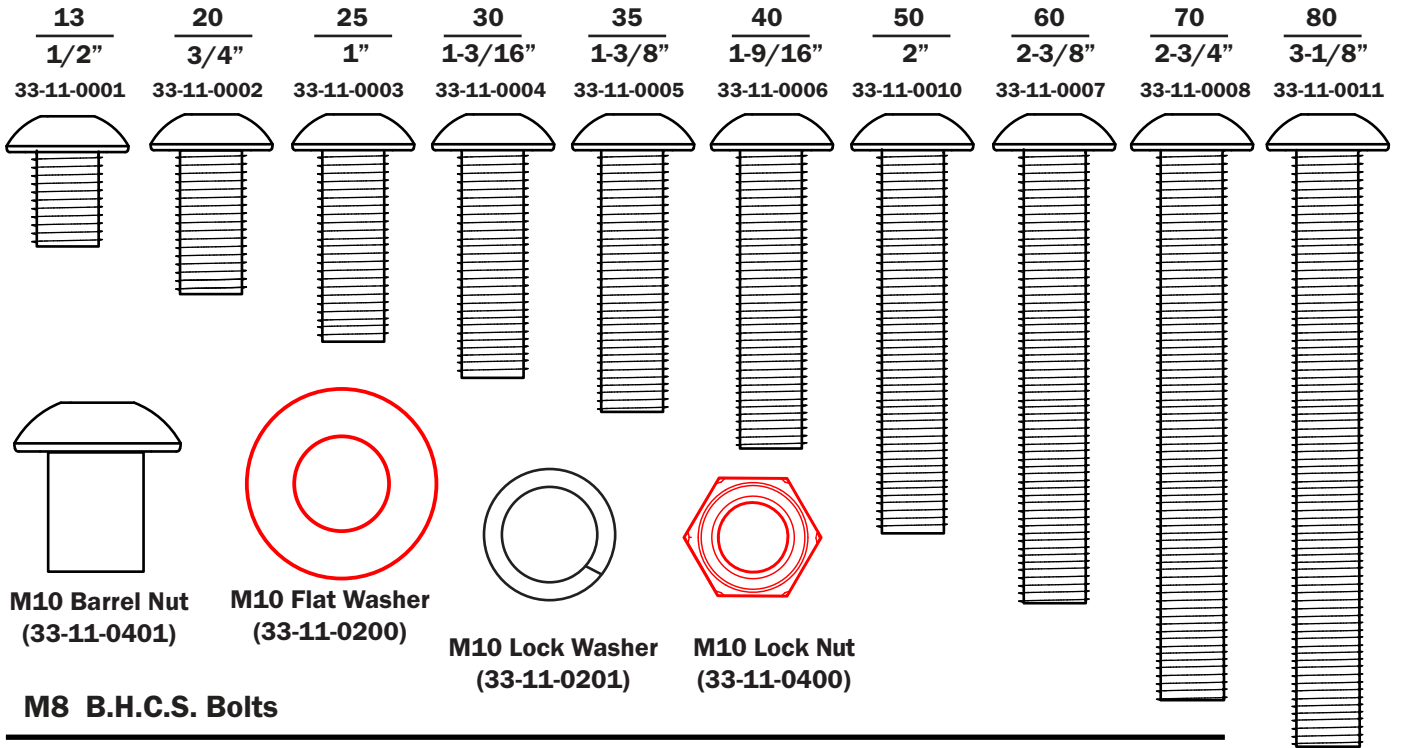
ALWAYS FOLLOW THE RECOMMENDATIONS CONTAINED IN THE ACCOMPANYING SAFETY GUIDELINES REGARDING THE INSTALLATION AND MAINTENANCE OF APPROPRIATE RESILIENT SURFACE MATERIALS REQUIRED FOR YOUR PLAY AREA. NEVER ALLOW USE OF PLAYGROUND EQUIPMENT WITHOUT PROPER SAFETY SURFACING AS FALLS ONTO A HARD SURFACE CAN CAUSE SERIOUS INJURY TO THE USER.

TOOLS REQUIRED

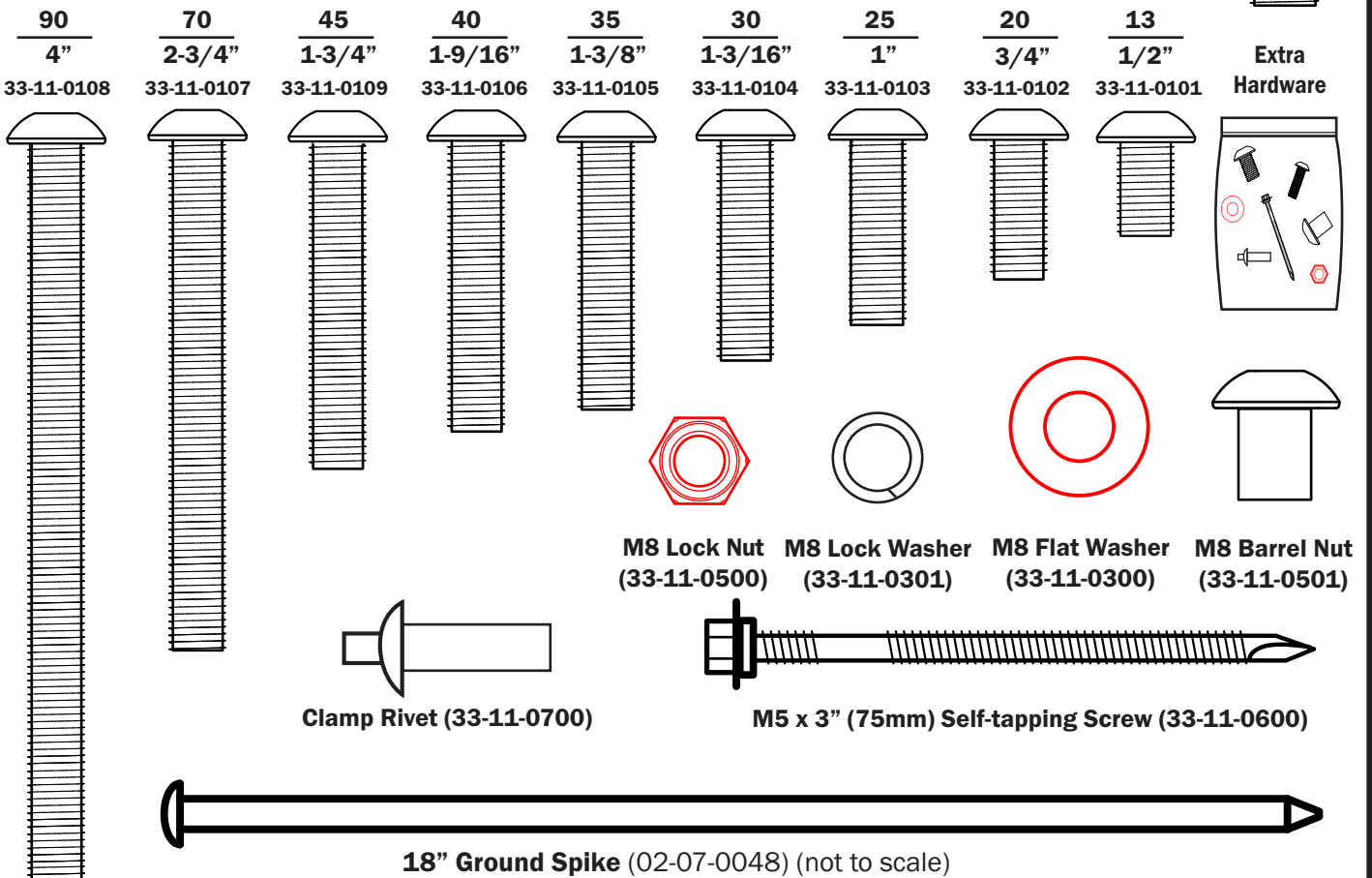


HARDWARE REFERENCE (Actual Size)

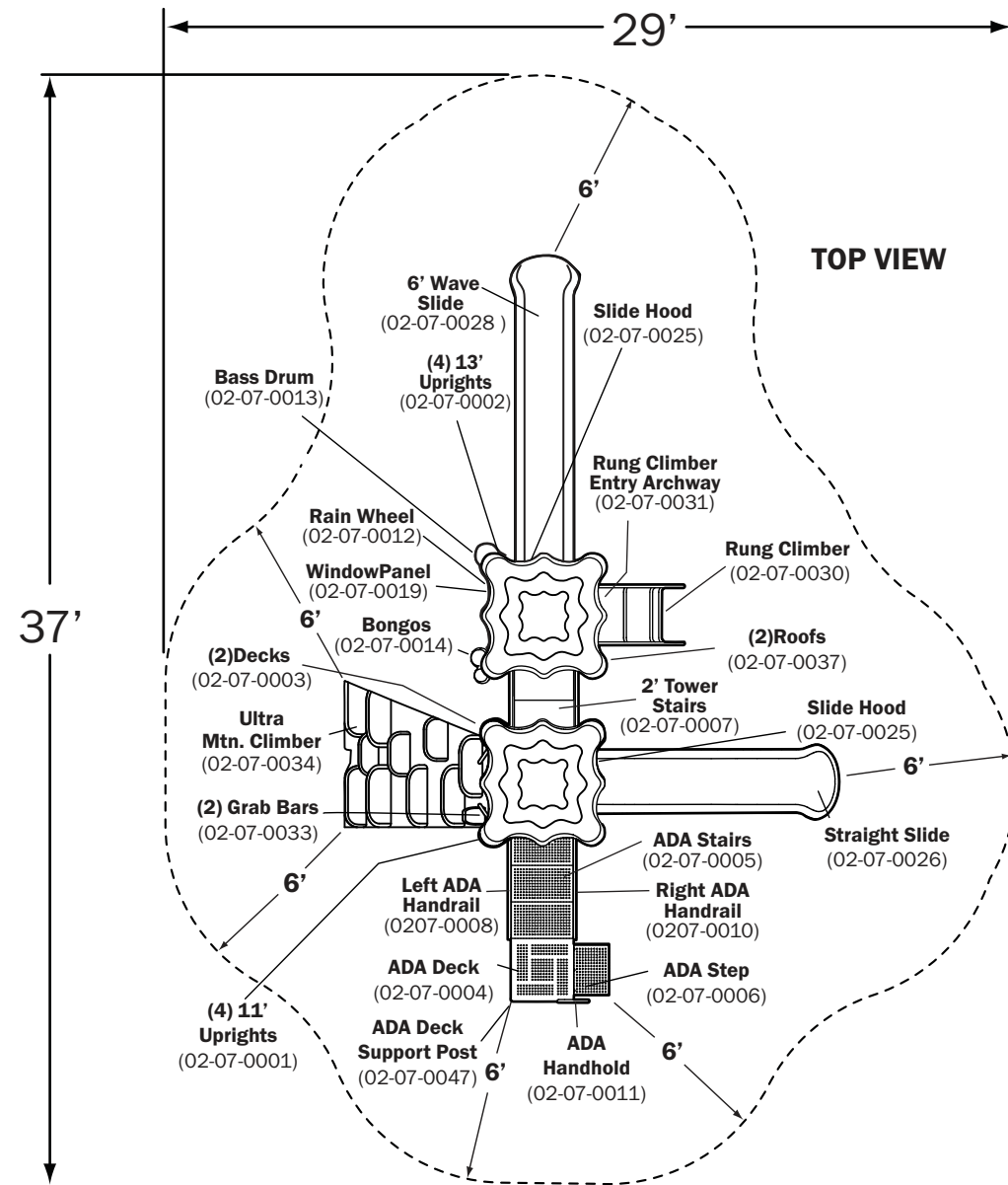
M10 B.H.C.S. Bolts



M8 B.H.C.S. Bolts



USE ZONE - CONFIGURATION 1



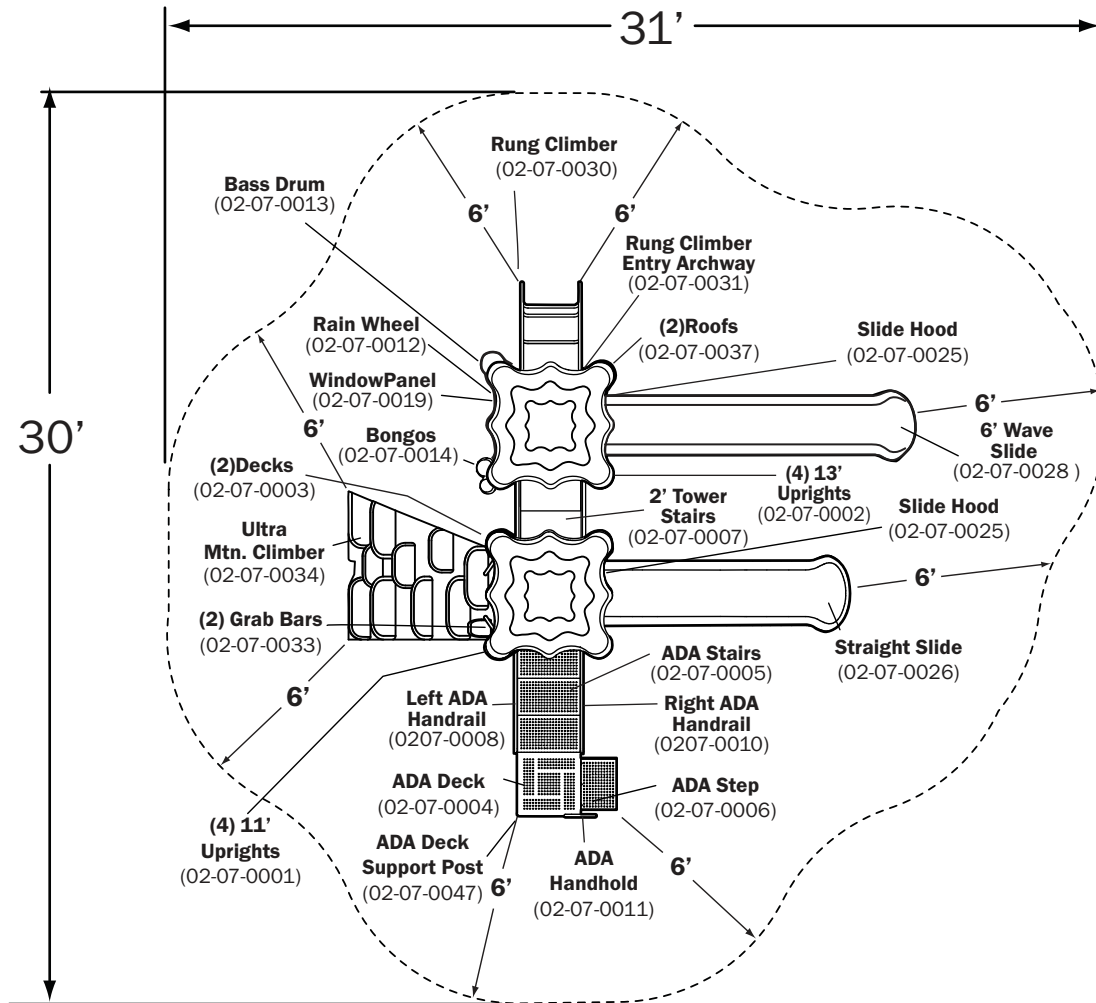
MINIMUM USE ZONE REQUIRED

NOTE: Equipment should be placed to eliminate conflicting traffic patterns.
As a general rule, allow at least 6' of free space around the entire structure.

IMPORTANT: Never install play equipment over hard, unresilient surfaces such as asphalt, concrete or compacted earth. It is the owner's responsibility to ensure the "minimum area required" contains an appropriate amount of resilient material to cushion accidental falls.

USE ZONE - CONFIGURATION 2 (optional)

TOP VIEW

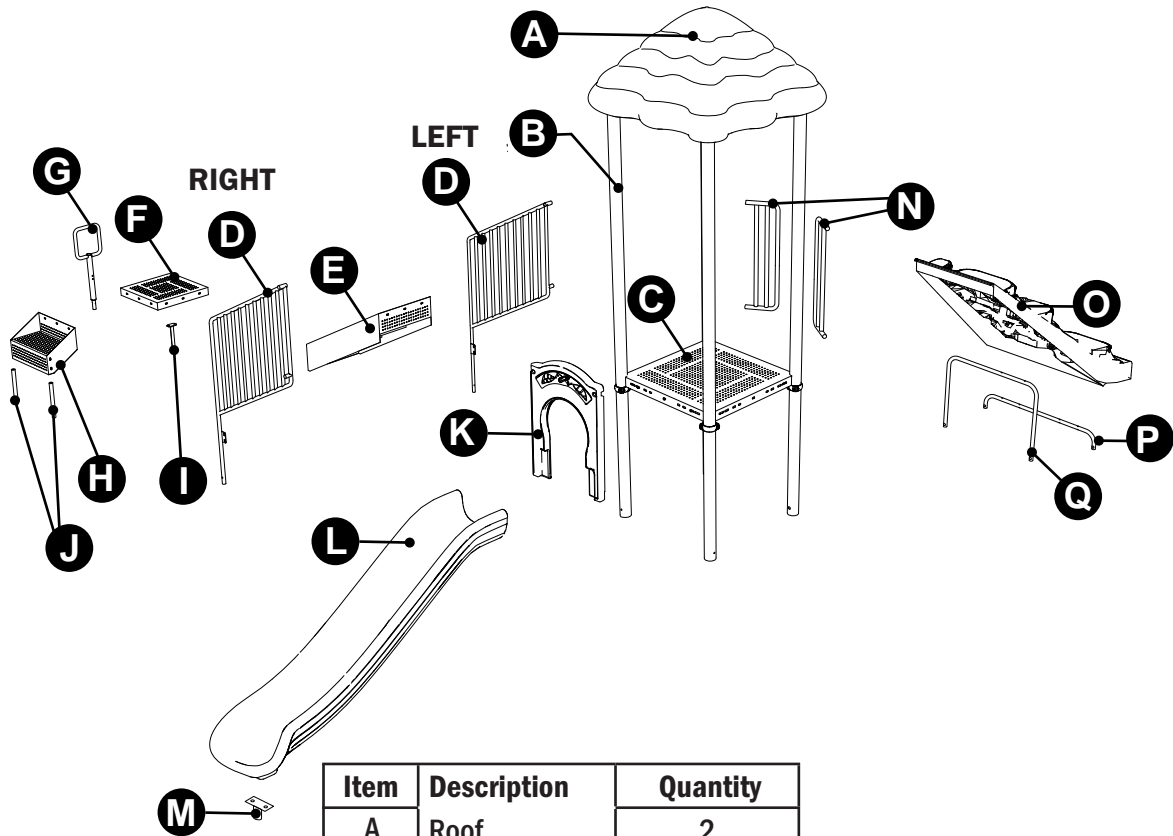


MINIMUM USE ZONE REQUIRED

NOTE: Equipment should be placed to eliminate conflicting traffic patterns.
As a general rule, allow at least 6' of free space around the entire structure.

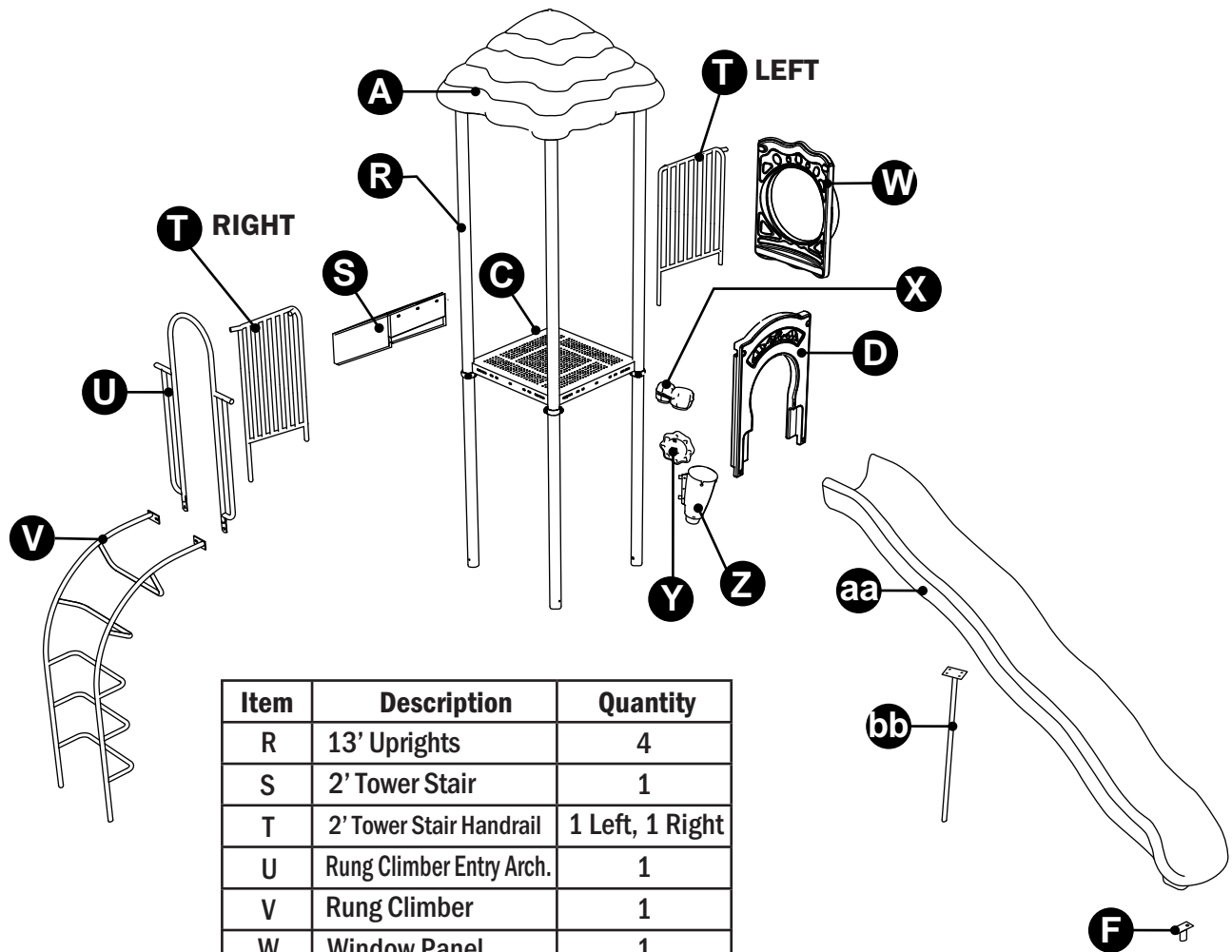
IMPORTANT: Never install play equipment over hard, unresilient surfaces such as asphalt, concrete or compacted earth. It is the owner's responsibility to ensure the "minimum area required" contains an appropriate amount of resilient material to cushion accidental falls.

COMPONENTS (Page 1 of 2)



Item	Description	Quantity
A	Roof	2
B	11' Uprights	4
C	36-3/4" Deck	2
D	ADA Hand Rails	1Left, 1Right
E	ADA Transfer Stairs	1
F	ADA Transfer Deck	1
G	ADA Handhold	1
H	ADA Transfer Step	1
I	ADA Transfer Deck Support	1
J	ADA Transer Step Support	2
K	Slide Hood	2
L	Straight Slide	1
M	Slide Mounting Bracket	1
N	Climber Grab Bars	2
O	Ultra Mtn. Climber	1
P	Short Climber Support	1
Q	Long Climber Support	1

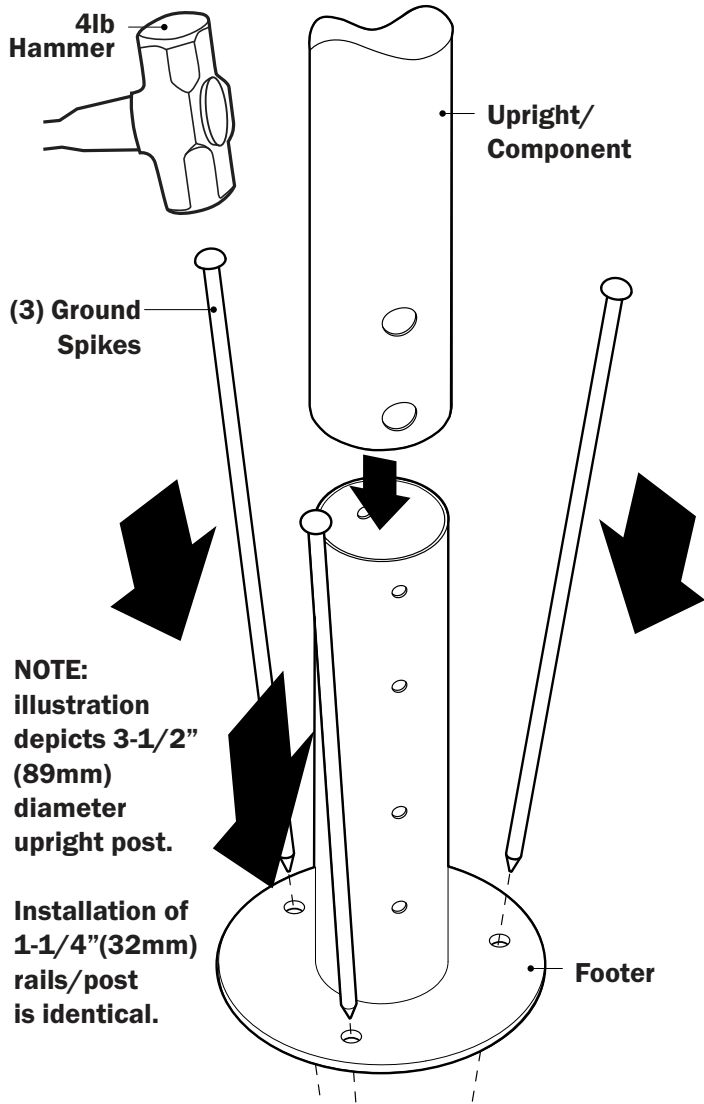
COMPONENTS (Page 2 of 2)



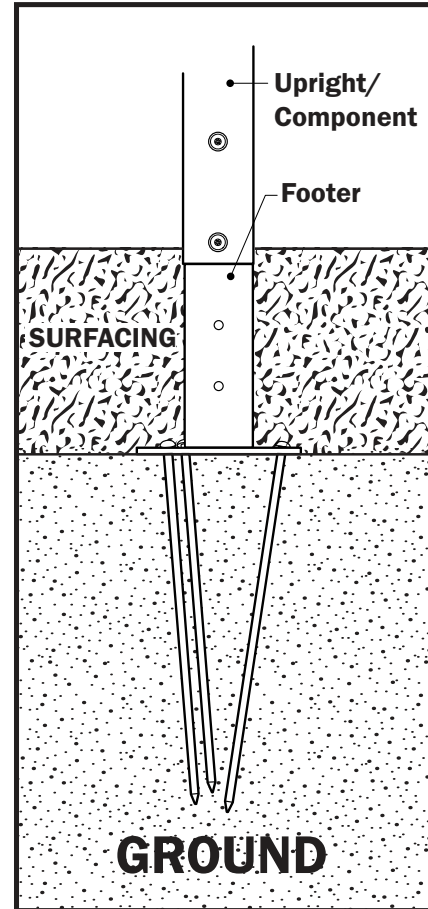
Item	Description	Quantity
R	13' Uprights	4
S	2' Tower Stair	1
T	2' Tower Stair Handrail	1 Left, 1 Right
U	Rung Climber Entry Arch.	1
V	Rung Climber	1
W	Window Panel	1
X	Bongos	1
Y	Rainwheel	1
Z	Bass Drum	1
aa	6' Wave Slide	1
bb	6' Wave Slide Center Support	1

FOOTING DETAIL - SURFACE MOUNT - GROUND

Footing Detail for Installations Placed on Ground Level



IMPORTANT: Never install play equipment over hard, unresilient surfaces such as asphalt, concrete or compacted earth. It is the owner's responsibility to ensure the "minimum area required" contains an appropriate amount of resilient material to cushion accidental falls.

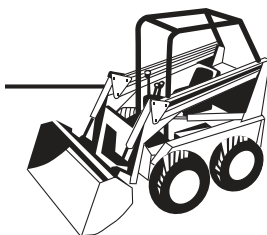


Instructions:

1. With Footers in position, secure each footer to the ground using (3) ground spikes.

NOTE: A 4 lb. hammer may be required to drive spikes into the ground.

 **Install ground spikes angled inward as shown in illustration.**

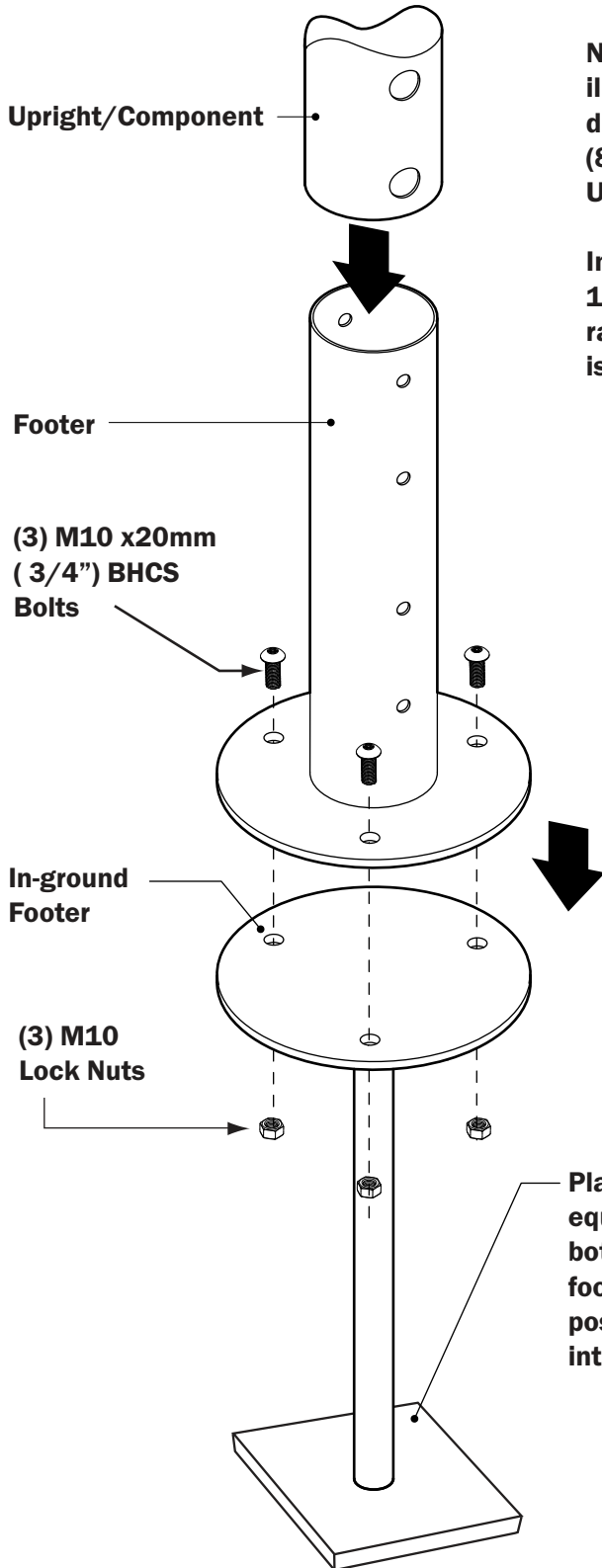


SITE PREPARATION

Clear area of any debris and grade to level surface to +/- 2°

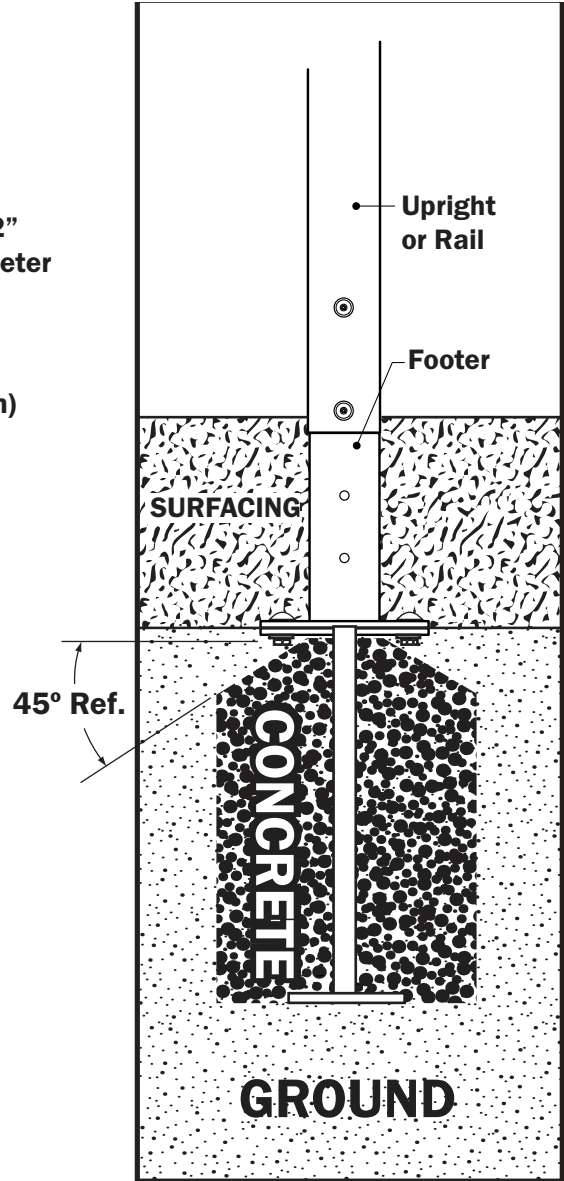
FOOTING DETAIL - IN GROUND

Footing Detail for Installations Requiring Concrete Footers



NOTE:
illustration depicts 3-1/2" (89mm) diameter Upright post.

Installation of 1-1/4" (32mm) rails/posts is identical.



Instructions:

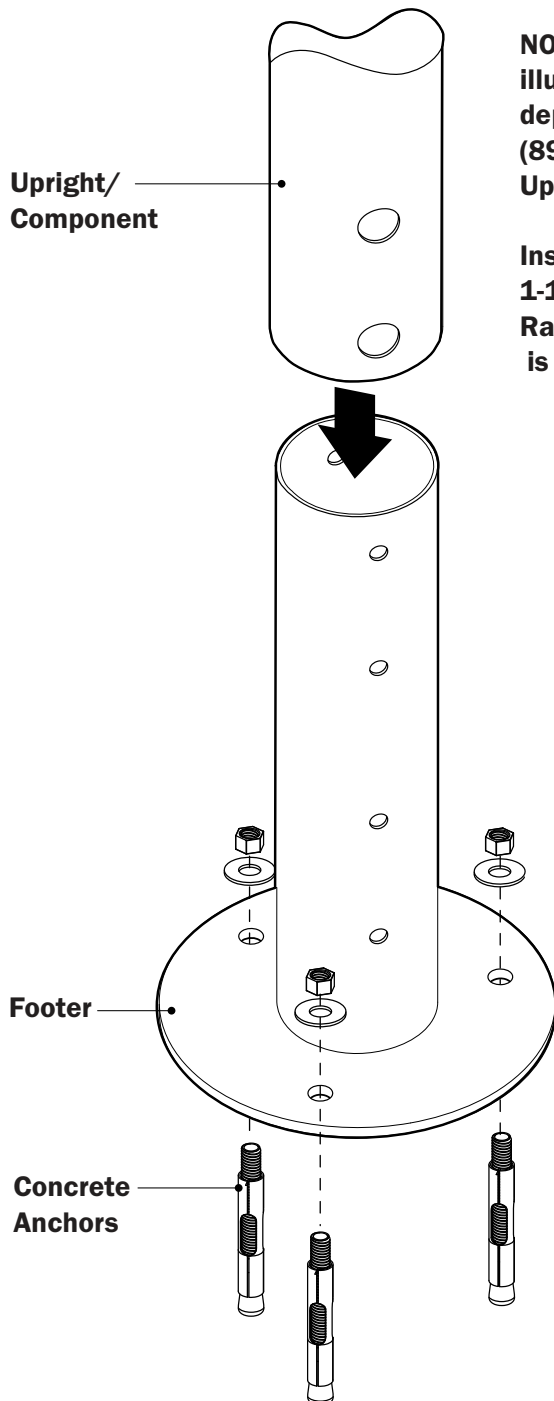
1. Bolt Footer and Inground Footer together using (3)M10 x 20mm (3/4") BHCS Bolts and M10 Lock Nuts.

Refer to *Hole/Footer Location* on the last page of these instructions.

IMPORTANT: Never install play equipment over hard, unresilient surfaces such as asphalt, concrete or compacted earth. It is the owner's responsibility to ensure the "minimum area required" contains an appropriate amount of resilient material to cushion accidental falls.

FOOTING DETAIL - SURFACE MOUNT - CONCRETE

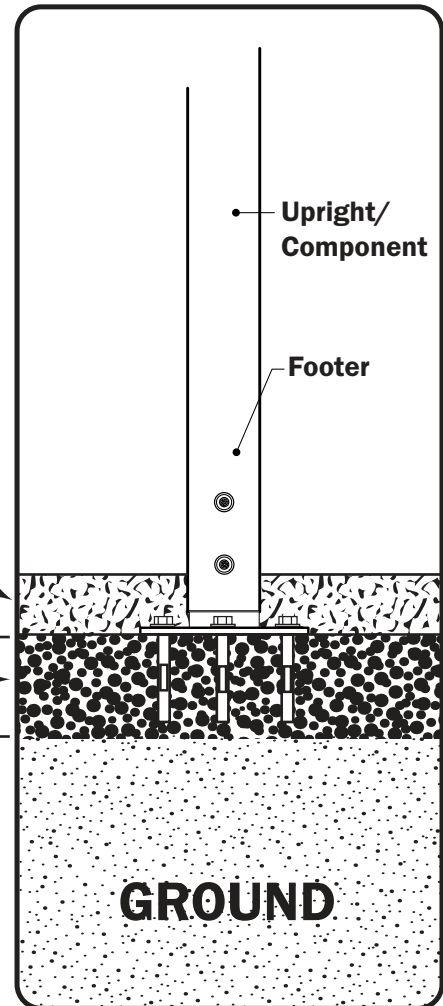
Footing Detail for Installations Mounted onto Concrete Surface



NOTE:
illustration depicts 3-1/2" (89mm) diameter Upright and Footer.

Installation of 1-1/4" (32mm) Rail/Posts is identical.

SURFACING
↓
CONCRETE
4" Minimum w/ 3000 PSI



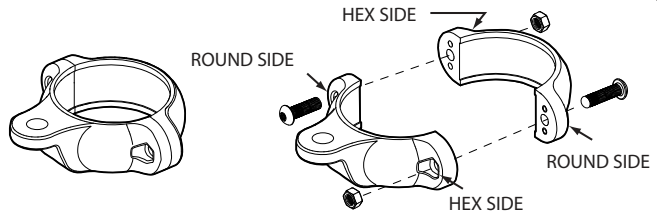
Instructions:

1. With Footer in position, drill (3)3/8" Dia. x 2" deep holes through holes in Footer and into concrete to receive anchor
2. Secure with Flat Washer and Lock Nut and tighten

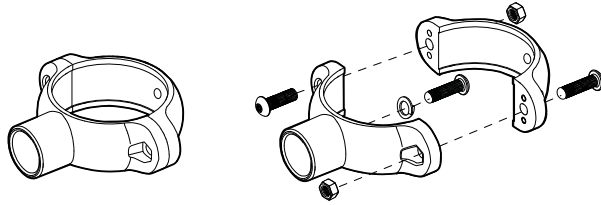
IMPORTANT: Never install play equipment over hard, unresilient surfaces such as asphalt, concrete or compacted earth. It is the owner's responsibility to ensure the "minimum area required" contains an appropriate amount of resilient material to cushion accidental falls.

CLAMPS

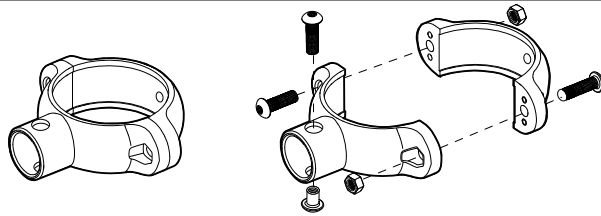
Deck Clamp (Pre-installed)
(Part # 02-07-0038)



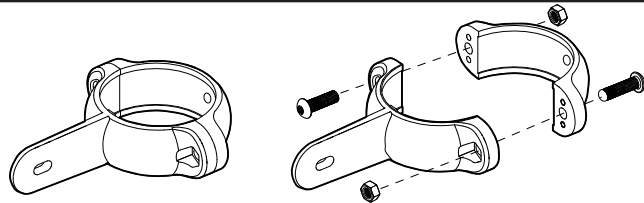
Tube Clamp
(Part # 02-07-0039)



Bongos Clamp
(Part # 02-07-0056)

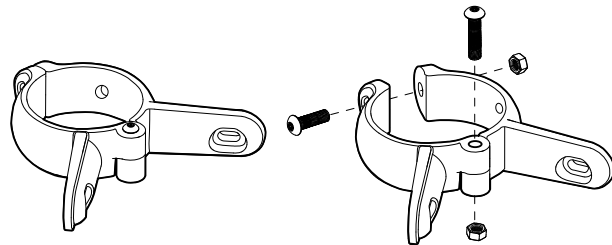


Panel Clamp - Single
(Part # 02-07-0040)



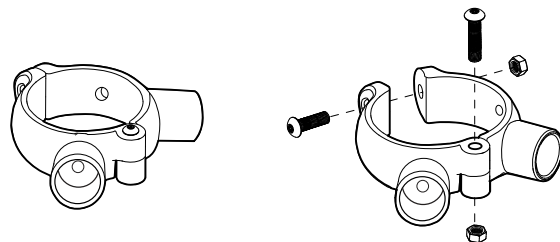
Panel Clamp 90° Double*
(Part # 02-07-0041)

**This clamp may not be used with your system*

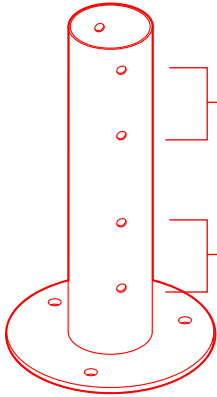


Tube Clamp 90° Double*
(Part # 02-07-0103)

**This clamp may not be used with your system*



FOOTERS



UPRIGHT FOOTER (Part# 02-07-0042)

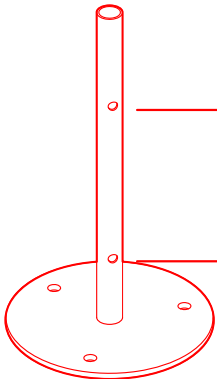
Use this footer for 3-1/2" Upright

(2) UPPER HOLES

Bolt uprights to footer using top(2) holes if Engineered Wood Fiber(mulch) is used. Cover play surface to a depth of 12"

(2) LOWER HOLES

Bolt uprights to footer using bottom (2) holes if 2" rubber tiles or poured-in-place surfacing is used.



HANDRAIL FOOTER (Part# 02-07-0043)

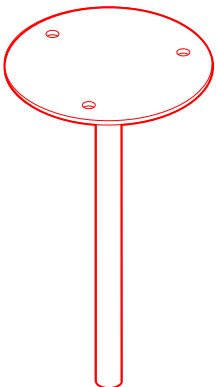
Use this footer for 1-1/4" Handrails and support posts.

UPPER HOLE

Bolt component to footer using top hole if Engineered Wood Fiber(mulch) is used. Cover play surface to a depth of 12"

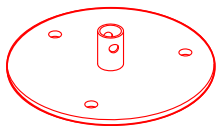
LOWER HOLE

Bolt component to footer using bottom hole if 2" rubber tiles or poured-in-place surfacing is used.



IN-GROUND FOOTER (Part# 02-07-0049)

This footer is only used for installations secured in-ground with concrete. This plate is bolted in (3) places to upright and handrail footers. See *In-ground Footer Detail*



FOOTER PLATE (Part# 02-07-0046)

This footer is used for 1-1/4" extension posts. Attach extension posts of slides, ADA Step and climbers to this plate.

STEP 1 - SECURE UPRIGHTS TO FOOTERS

1. Place (4)Uprights(A) on ground.
2. Unwrap and remove Footer(B) from inside of Upright(A) to observe hole placement.
3. Choose the appropriate set of holes in Footer(B) depending on your surfacing application and align with holes in Upright(A).

Parts List			
Letter	Description	Quantity	Part Number
A	Uprights w/clamp	4	02-07-0001
B	Upright Footers	4	02-07-0042
	Hardware Complete	1	33-12-0026
C	M10 x 80 BHCS Bolt	8	33-11-0011
D	M10 Barrel Nut	8	33-11-0401

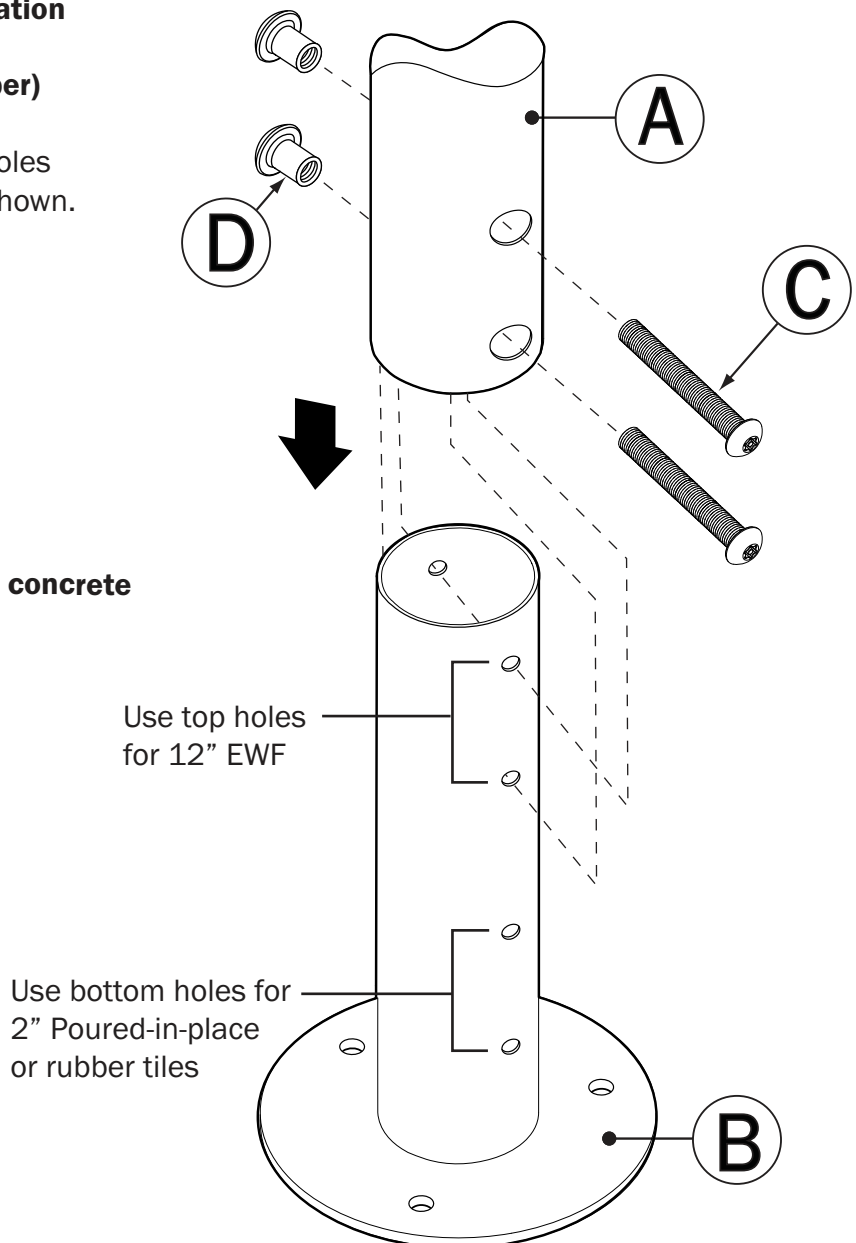
NOTE: Top (2) holes used in illustration selected for 12" EWF (Engineered Wood Fiber)

4. Insert (2)Bolts(C) through aligned holes and secure with Barrel Nuts(D) as shown.

NOTE: Head of Bolt(C) is inserted through the large hole in Upright(A) and will tighten inside tube.

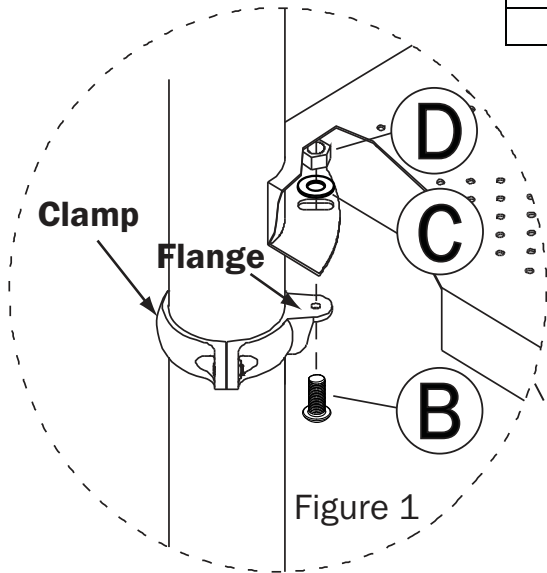
5. Repeat Steps 2 through 4 for the remaining (3)Posts(A).

NOTE: If installing playground with concrete footers, install In-ground footers at this time.



STEP 2 - CONNECT DECK TO UPRIGHTS

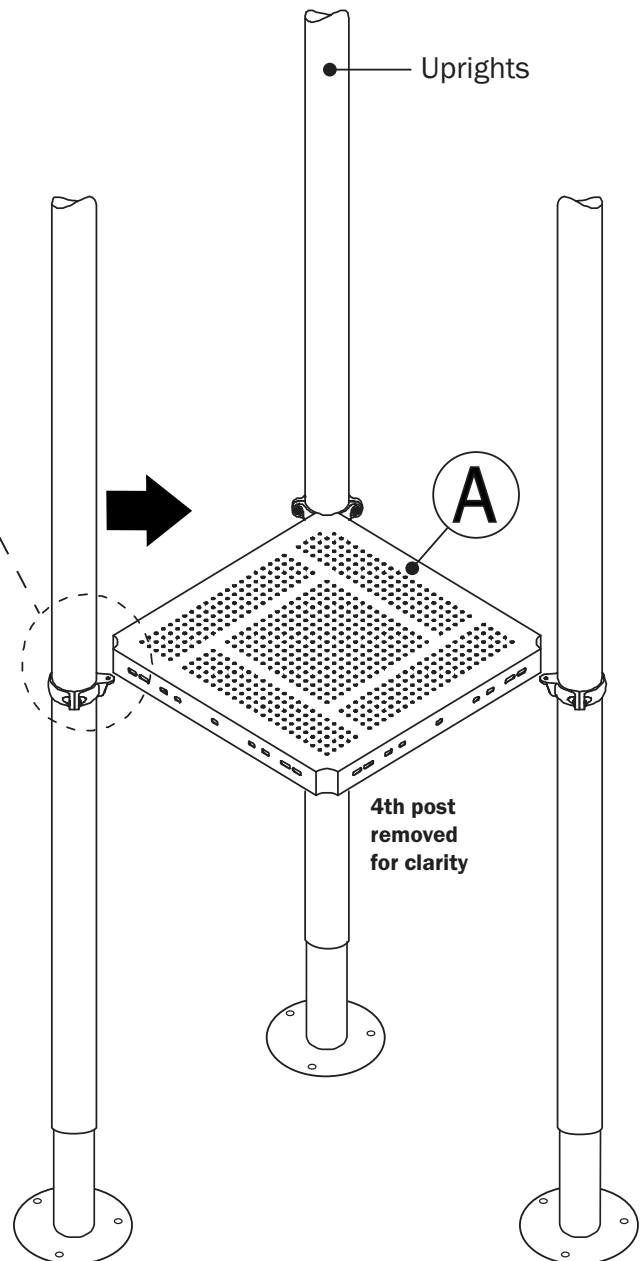
Parts List			
Letter	Description	Quantity	Part Number
A	36-3/4" (933mm) Deck	1	02-07-0003
	Hardware Complete	1	33-12-0019
B	M10 x 30 BHCS Bolt	4	33-11-0004
C	M10 Flat Washer	4	33-11-0200
D	M10 Lock Nut	4	33-11-0400



! Deck coating may prevent insertion of hardware. Trim out slots with utility knife if necessary.

! Posts must be supported until all hardware is installed.

1. Lift (4) 11ft Uprights into position with clamp flange pointing inward.
2. Position Deck(A) onto clamp flange of (4) 11ft Uprights.
3. Align hole in clamp flange with slot on underside of Deck(A). See Figure 1.
4. Insert Bolt(B) and Flat Washer(C) upward into hole in Clamp and through slot in Deck(A). While pushing upright tightly against Deck(A), secure with Flat Washer(C) and Lock Nut(D).
5. Repeat Steps 3 and 4 for remaining Uprights. Tighten all hardware.
6. Level deck and make the appropriate adjustments.

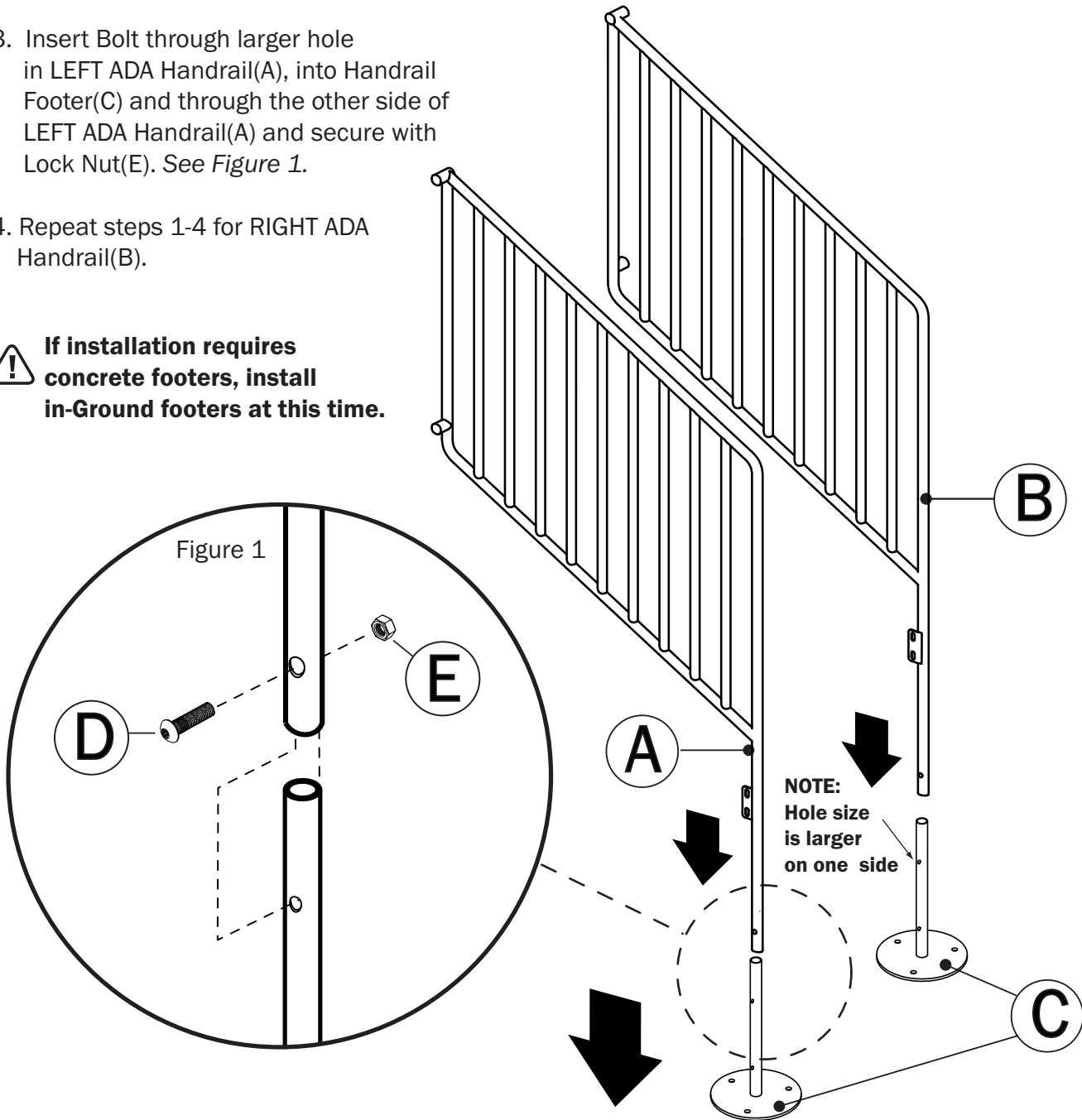


STEP 3 - CONNECT ADA HANDRAIL FOOTER TO HANDRAILS

1. Choose the appropriate hole in Handrail Footer(C) for your surfacing application. See *Figure 1*.
2. Align hole in LEFT ADA Handrail(A) with hole in Footer(C). See *Figure 1*.
3. Insert Bolt through larger hole in LEFT ADA Handrail(A), into Handrail Footer(C) and through the other side of LEFT ADA Handrail(A) and secure with Lock Nut(E). See *Figure 1*.
4. Repeat steps 1-4 for RIGHT ADA Handrail(B).

Parts List			
Letter	Description	Quantity	Part Number
A	LEFT ADA Handrail	1	02-07-0008
B	RIGHT ADA Handrail	1	02-07-0010
C	Handrail Footer	2	02-07-0043
	Hardware Complete	1	33-12-0003
D	M10 x 35 BHCS Bolt	2	33-11-0005
E	M10 Lock Nut	2	33-11-0400

 **If installation requires concrete footers, install in-Ground footers at this time.**

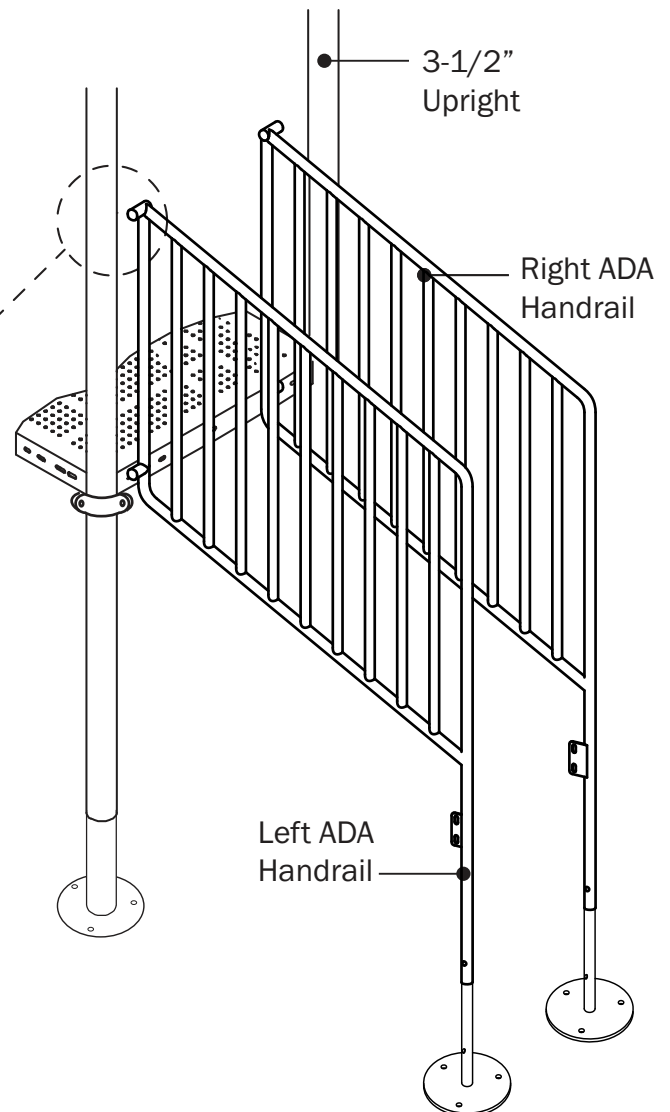
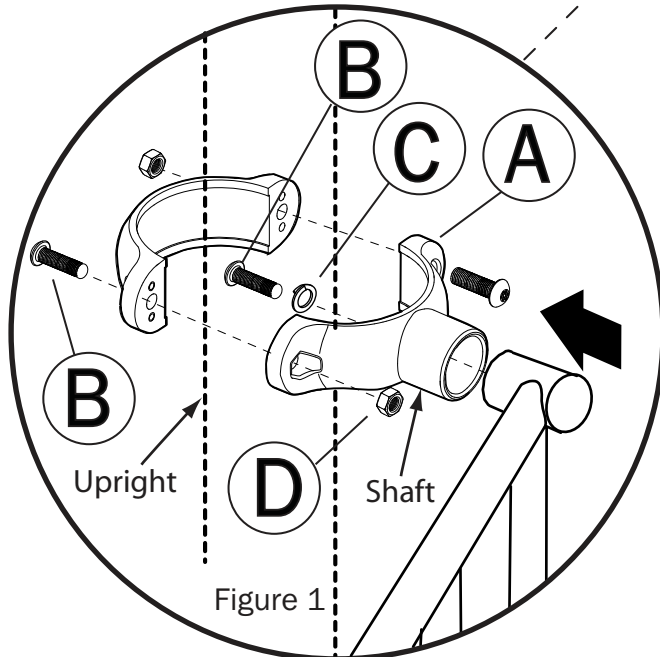


STEP 4 - CONNECT ADA HANDRAIL TO UPRIGHTS

1. Insert shaft of Tube Clamp(A) onto top tube of Left ADA Handrail and tighten securely with Bolt(B) and Lock Washer(C). See *Figure 1*.
2. Repeat STEP 1 to install bottom Tube Clamp(A).
3. Place Tube Clamp(A) into position against 3-1/2" Upright and enclose Upright with Tube Clamp(A).
4. Align holes in Tube Clamp(A), Insert Bolt(B) and secure with Lock Nut(D).
5. Repeat Steps 1-3 for Right ADA Handrail.

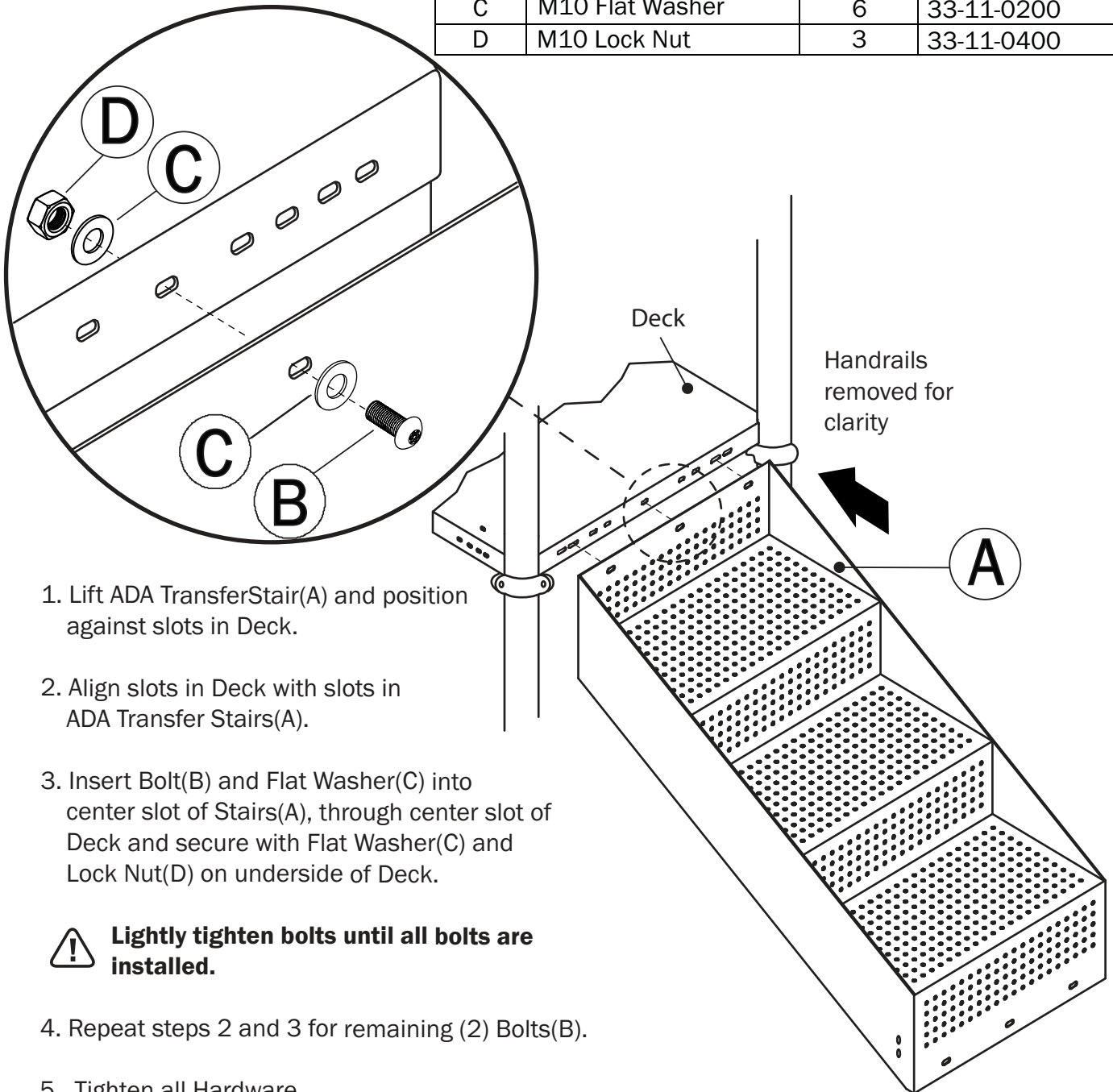
Parts List			
Letter	Description	Quantity	Part Number
A	Tube Clamp	4	02-07-0039
	Hardware Complete	1	33-12-0003
B	M8 x 25 BHCS Bolt	12	33-11-0103
C	M8 Lock Washer	4	33-11-0301
D	M8 Lock Nut	8	33-11-0500

! Lightly tighten Tube Clamp(A) hardware to uprights until ADA Stairs are installed in Step 6.



STEP 5 - CONNECT ADA STAIR TO DECK

Parts List			
Letter	Description	Quantity	Part Number
A	ADA Transfer Stair	1	02-07-0005
	Hardware Complete	1	33-12-0004
B	M10 x 25 BHCS Bolt	3	33-11-0003
C	M10 Flat Washer	6	33-11-0200
D	M10 Lock Nut	3	33-11-0400



1. Lift ADA TransferStair(A) and position against slots in Deck.
2. Align slots in Deck with slots in ADA Transfer Stairs(A).
3. Insert Bolt(B) and Flat Washer(C) into center slot of Stairs(A), through center slot of Deck and secure with Flat Washer(C) and Lock Nut(D) on underside of Deck.



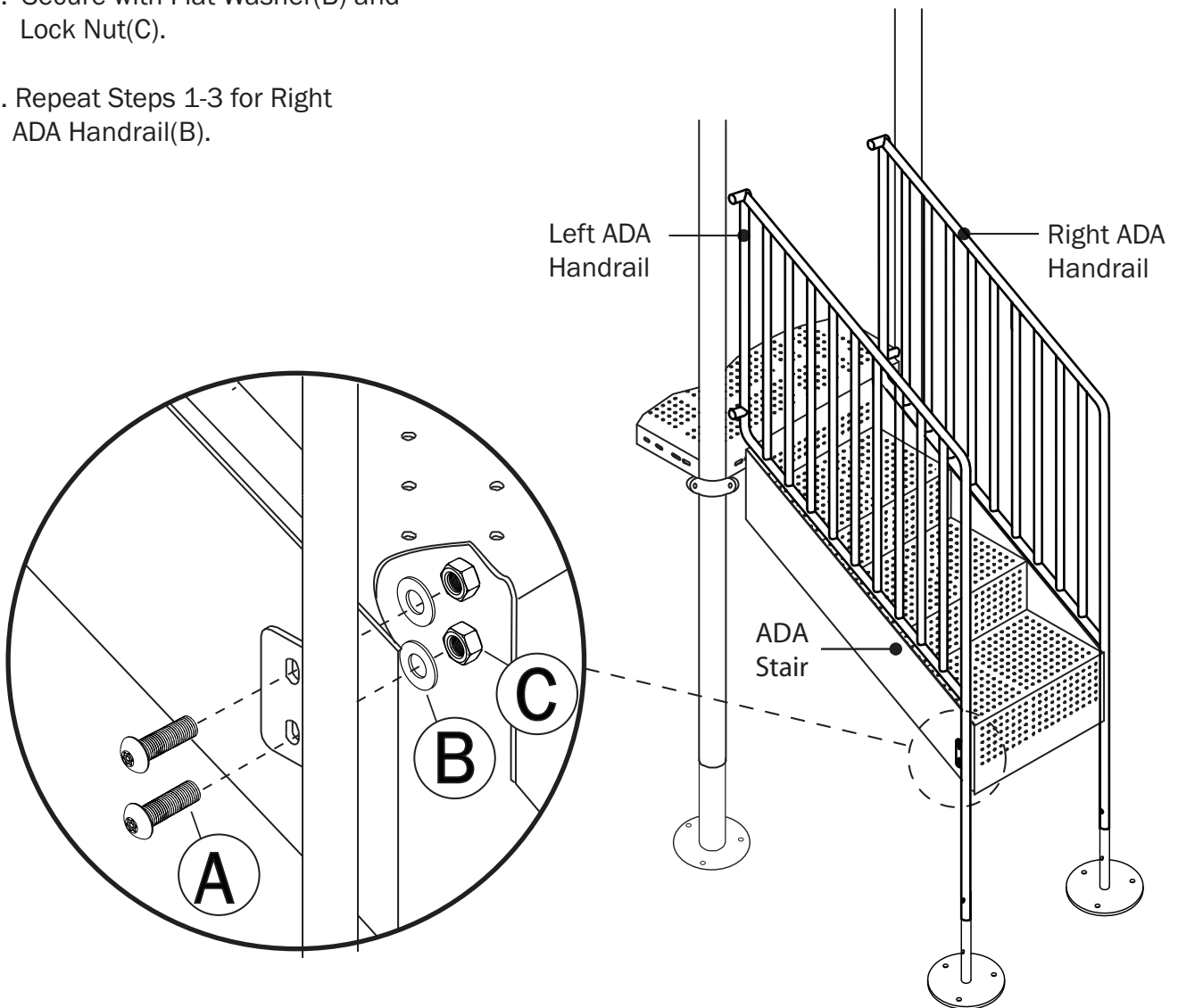
Lightly tighten bolts until all bolts are installed.

4. Repeat steps 2 and 3 for remaining (2) Bolts(B).
5. Tighten all Hardware.

STEP 6 - CONNECT ADA HANDRAIL TO ADA STAIR

1. Align holes in bracket on Left ADA Handrail with holes on side of ADA Stair.
2. Insert Bolt (A) through bracket in Handrail, through side of ADA Stair.
3. Secure with Flat Washer(B) and Lock Nut(C).
4. Repeat Steps 1-3 for Right ADA Handrail(B).

Parts List			
Letter	Description	Quantity	Part Number
	Hardware Complete	1	33-12-0003
A	M10 x 25 BHCS Bolt	4	33-11-0003
B	M10 Flat Washer	4	33-11-0200
C	M10 Lock Nut	4	33-11-0400

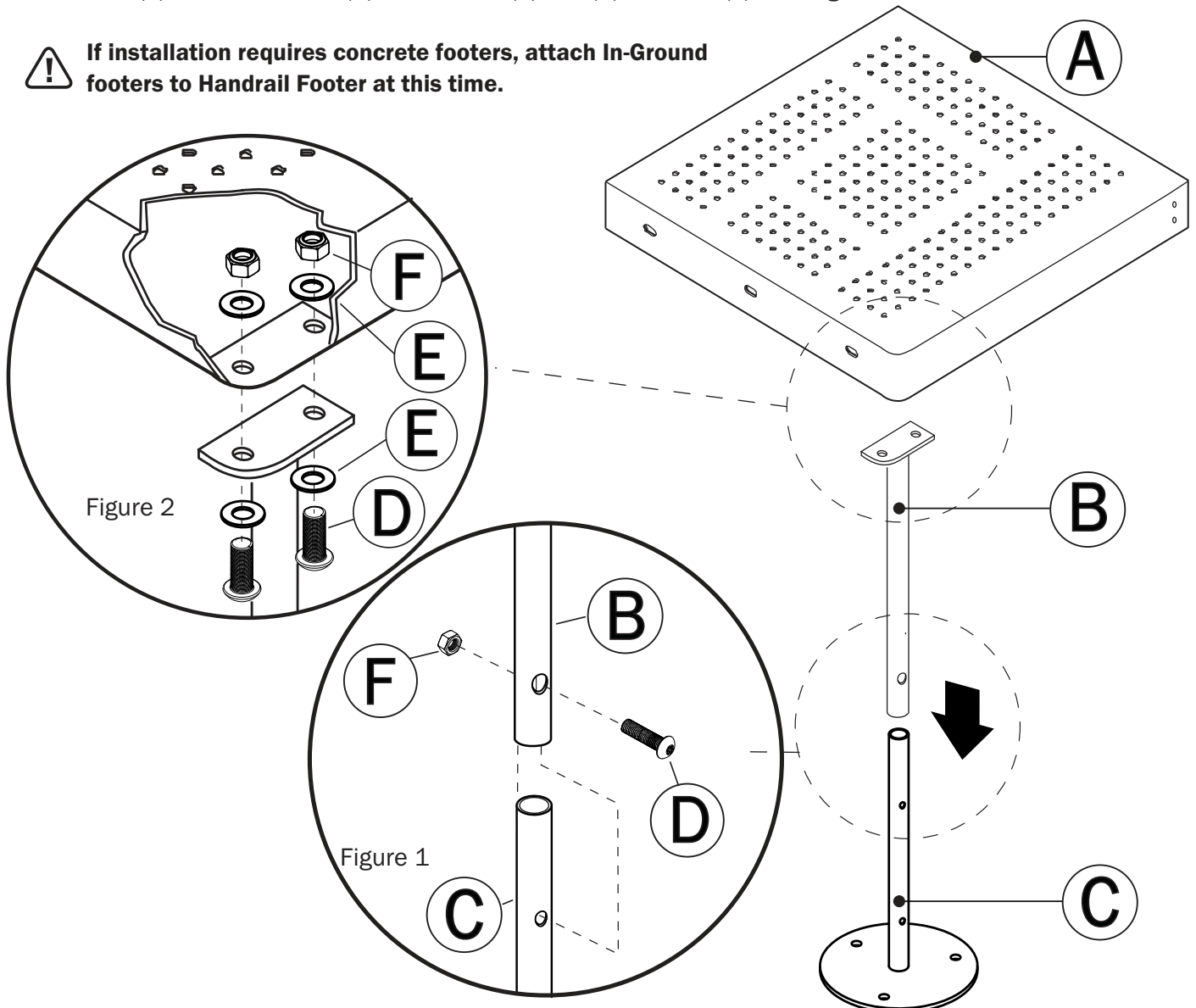


STEP 7 - CONNECT DECK SUPPORT TO ADA DECK

1. Choose the appropriate hole in Footer(C) for your surfacing application.
2. Align hole in Deck Support Post(B) with hole in Footer(C).
3. Insert Bolt(D) through larger hole in Deck Support Post(B), into Handrail Footer(C) and through other side of Deck Support Post(B).
4. Secure with Lock Nut(F). See Figure 1.
5. Insert (2) Bolts(D) and (2) Washers(E) into underside of Deck Support(B), through bracket on underside of ADA Deck(A) and secure with (2) Flat Washers(E) and (2) Lock Nuts(F). See Figure 2.

Parts List			
Letter	Description	Quantity	Part Number
A	ADA Deck	1	02-07-0004
B	ADA Deck Support Post	1	02-07-0047
C	Handrail Footer	1	02-07-0043
	Hardware Complete	1	33-12-0001
D	M10 x 35 BHCS Bolt	3	33-11-0005
E	M10 Flat Washer	4	33-11-0200
F	M10 Lock Nut	3	33-11-0400

 **If installation requires concrete footers, attach In-Ground footers to Handrail Footer at this time.**

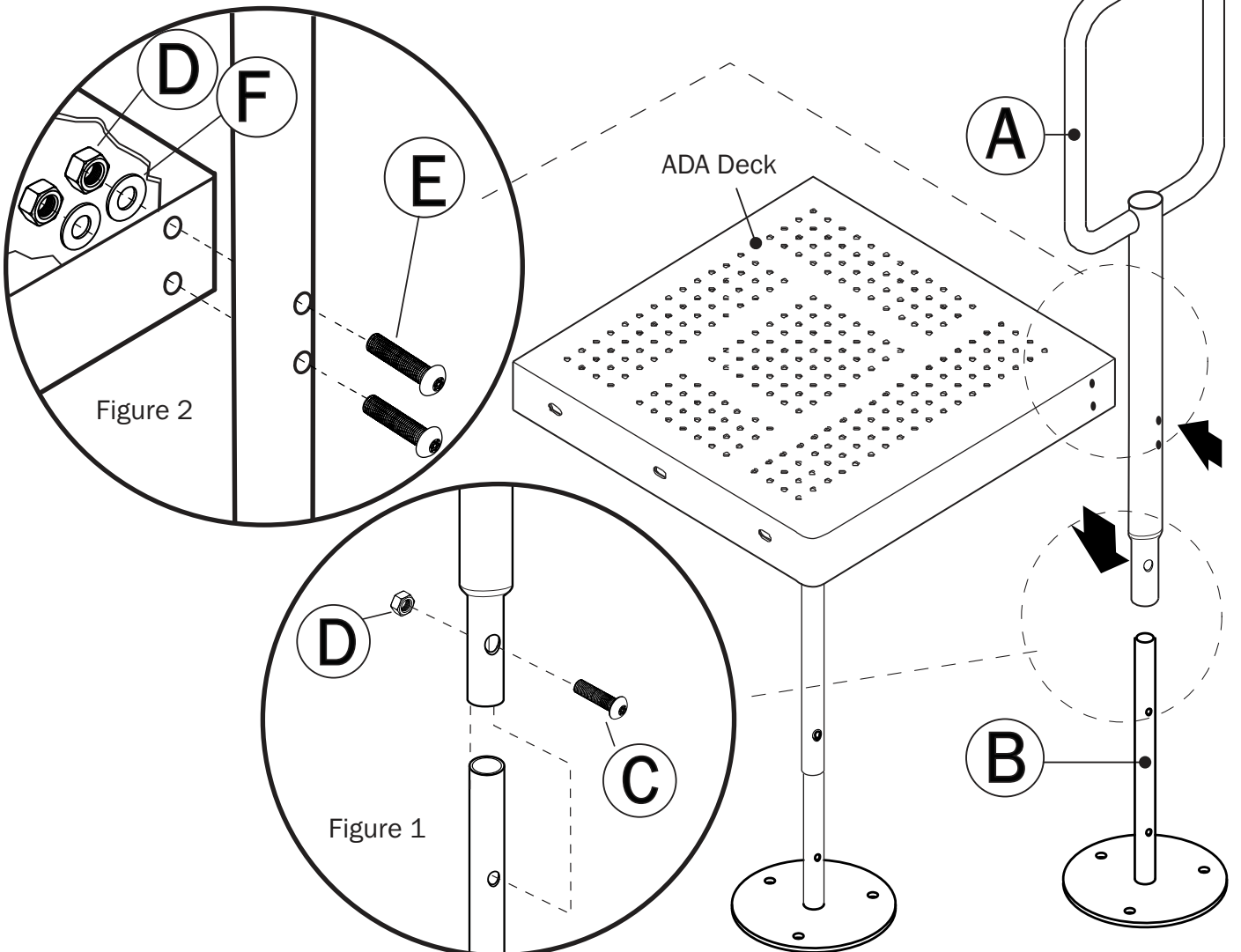


STEP 8 - CONNECT ADA HANDHOLD TO ADA DECK

1. Choose the appropriate hole in Footer(B) for your surfacing application.
2. Insert Footer(B) into ADA Handhold(A) and align holes.
3. Insert Bolt(C) through larger hole in ADA Handhold(A), into Handrail Footer(B) and through other side of ADA Handhold(A).
4. Secure with Lock Nut(D). See *Figure 1*.
5. Insert (2) Bolts(E) and (2) Flat Washers (F) into ADA Handhold(A), into holes in ADA Deck and secure with (2) Flat Washers(F) and (2) Lock Nuts(D). See *Figure 2*.

Parts List			
Letter	Description	Quantity	Part Number
A	ADA Handhold	1	02-07-0011
B	Handrail Footer	1	02-07-0043
	Hardware Complete	1	33-12-0002
C	M10 x 35 BHCS Bolt	1	33-11-0005
D	M10 Lock Nut	3	33-11-0400
E	M10 x 60 BHCS Bolt	2	33-11-0007
F	M10 Flat Washer	2	33-11-0200

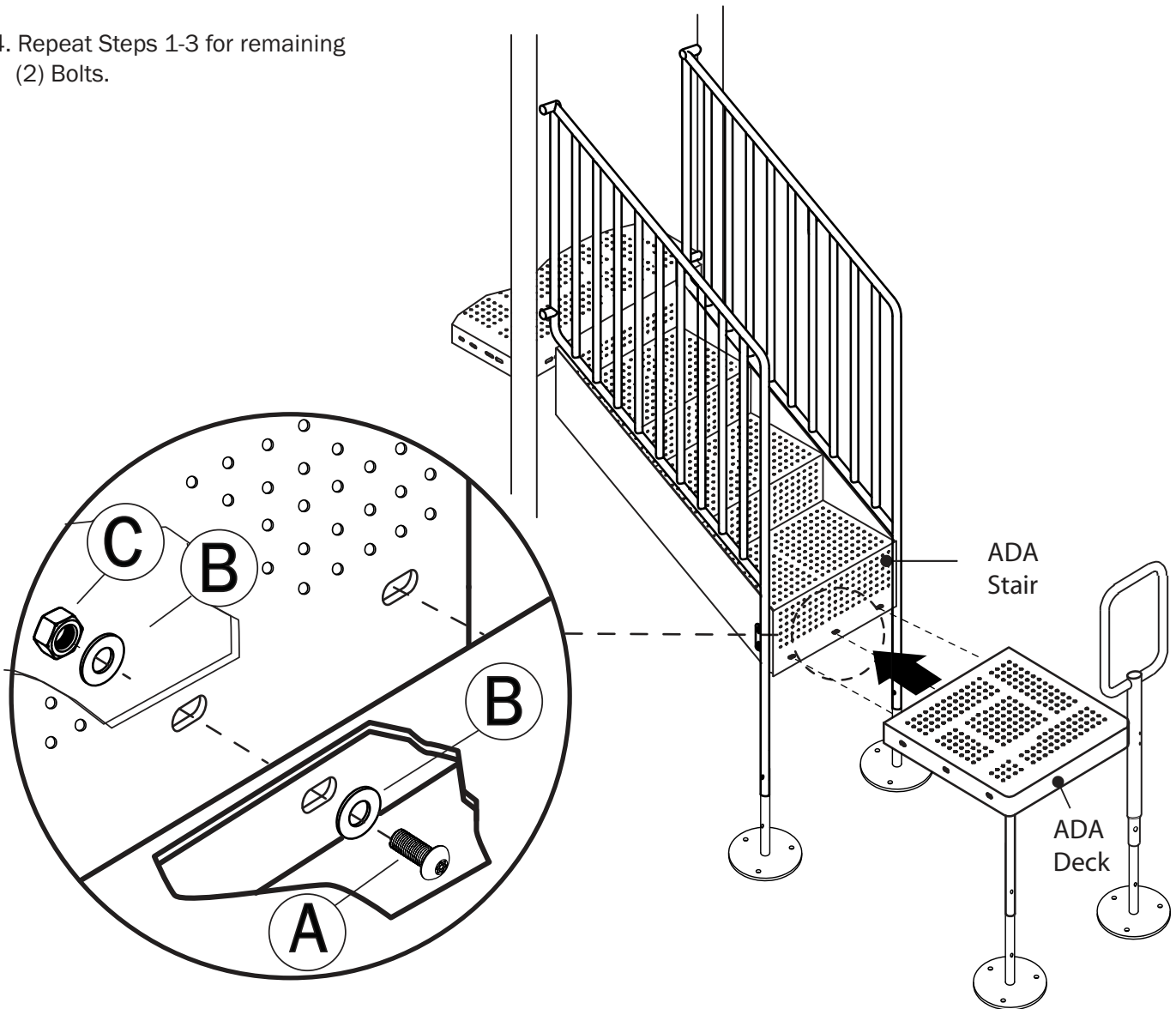
! If installation requires concrete footers, install In-ground Footers to Handrail Footers at this time.



STEP 9 - CONNECT ADA DECK ASSEMBLY TO ADA STAIRS

1. Align slots in ADA Deck with slots in side of ADA Stair.
2. From underside of ADA Deck, insert Bolt(A) and Flat Washer(B) into slots of ADA Deck and into slots in ADA Stairs.
3. Secure with Flat Washer(B) and Lock Nut(C).
4. Repeat Steps 1-3 for remaining (2) Bolts.

Parts List			
Letter	Description	Quantity	Part Number
	Hardware Complete	1	33-12-0001
A	M10 x 25 BHCS Bolt	3	33-11-0003
B	M10 Flat Washer	6	33-11-0200
C	M10 Lock Nut	3	33-11-0400



STEP 10 - CONNECT FOOTER POSTS TO ADA STEP

! There are (2) lengths of Extension Posts(B) included in your installation kit.

Use the 15" Footer Posts for 12" EWF and the 8-1/4" Footer Posts for 2" Rubber Tiles or Poured-in-place surfacing.

! If installation requires concrete footers, install in-ground footers at this time.

Parts List			
Letter	Description	Quantity	Part Number
A	ADA Step	1	02-07-0006
B	15" Extension Post	2	02-07-0061
C	Footer Plate	2	02-07-0046
	Hardware Complete	1	33-12-0005
D	M10 x 35 BHCS Bolt	2	33-11-0005
E	M10 Lock Nut	6	33-11-0400
F	M10 x 50 BHCS Bolt	4	33-11-0010
G	M10 Flat Washer	4	33-11-0200

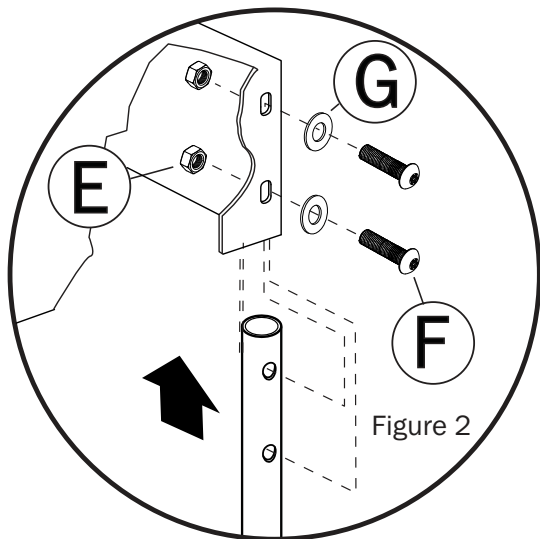


Figure 2

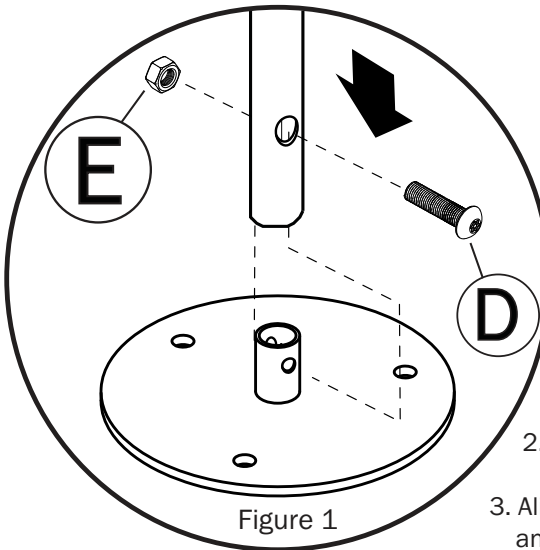
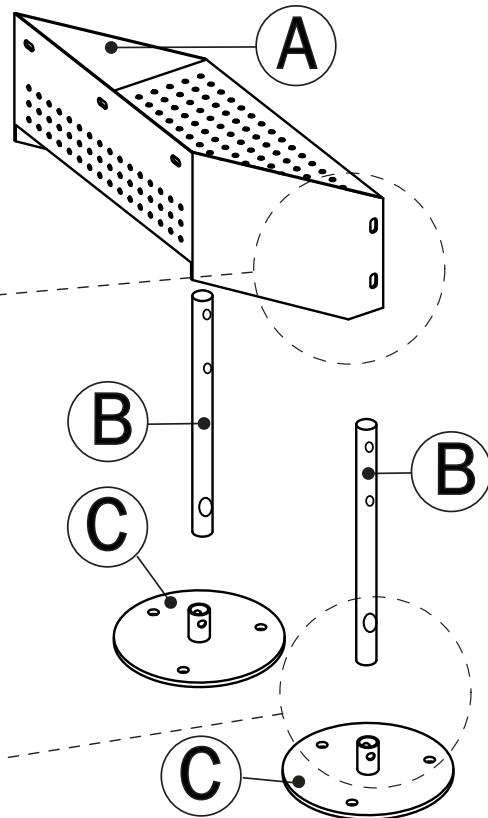


Figure 1



1. Align holes in Extension Post(B) with holes in Footer Plate(C). Insert Bolt(D) through larger hole in Extension Post(B), through Footer Plate(C) and secure with Lock Nut(E). See Figure 1.

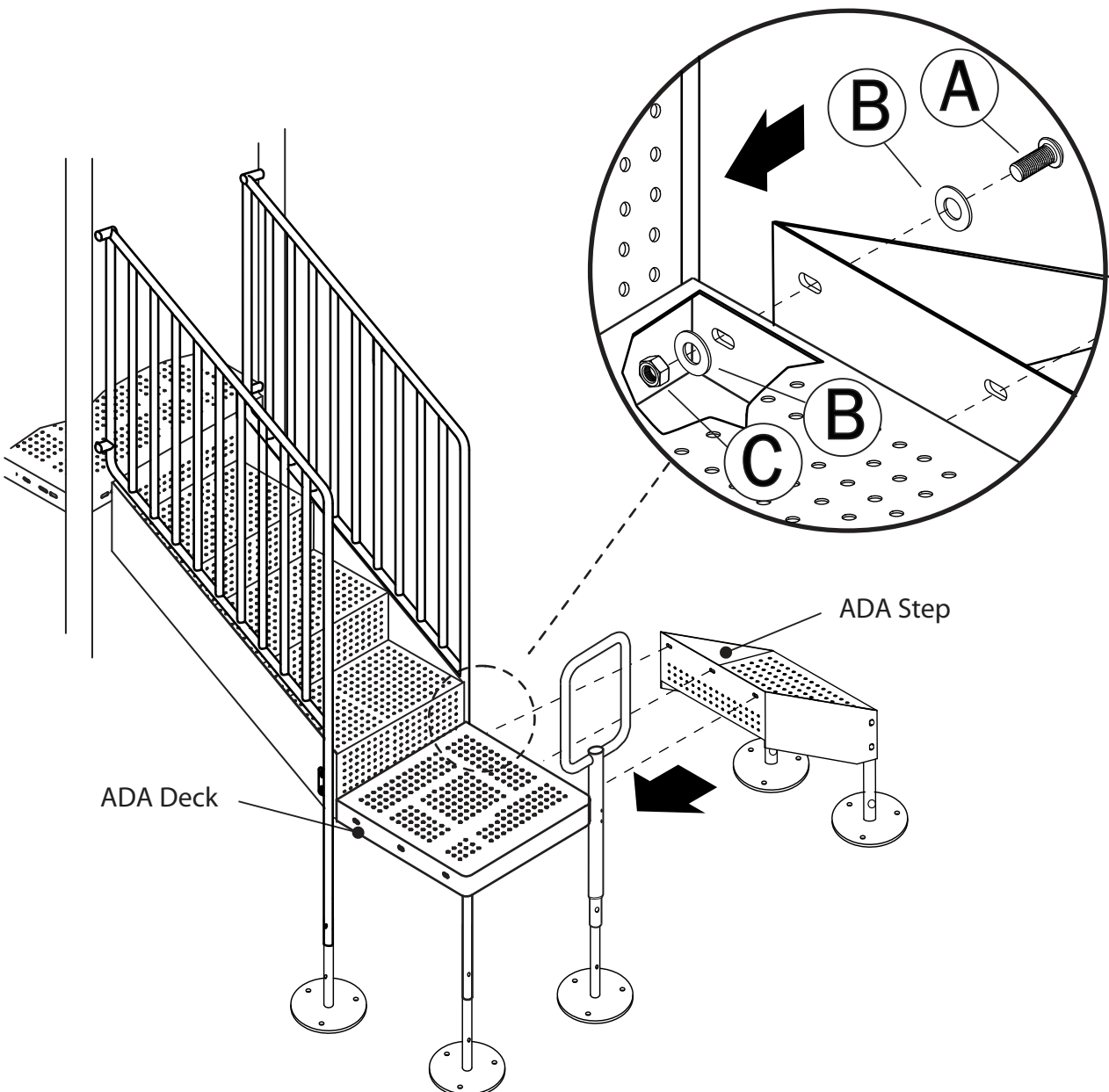
2. Repeat Step 1 for other Footer Plate(C).

3. Align slots on side of ADA Step(A) with holes in Extension Post(B) and insert (2)Bolts(F) and (2)Flat Washers(G) through holes in ADA Step(A), through Footer Post(B) and secure with Lock Nut(E). See Figure 2.

STEP 11 - CONNECT ADA STEP TO ADA DECK

1. Align slots in ADA Step with slots in side of ADA Deck.
2. Insert Bolt(A) and Flat Washer(B) into slots ADA Step and into slots in ADA Deck.
3. Secure with Flat Washer(B) and Lock Nut(C).
4. Repeat Steps 1-3 for remaining (2) Bolts.

Parts List			
Letter	Description	Quantity	Part Number
	Hardware Complete	1	33-12-0005
A	M10 x 25 BHCS Bolt	3	33-11-0003
B	M10 Flat Washer	6	33-11-0200
C	M10 Lock Nut	3	33-11-0400



STEP 12 - ATTACH MOUNTING BRACKETS TO 4FT STRAIGHT SLIDE

1. Insert Bolts(E), Lock Washers(F) and Flat Washers(G) into slot in Mounting Bracket(B) into holes in underside of Slide(A) and tighten. See Figure 1.

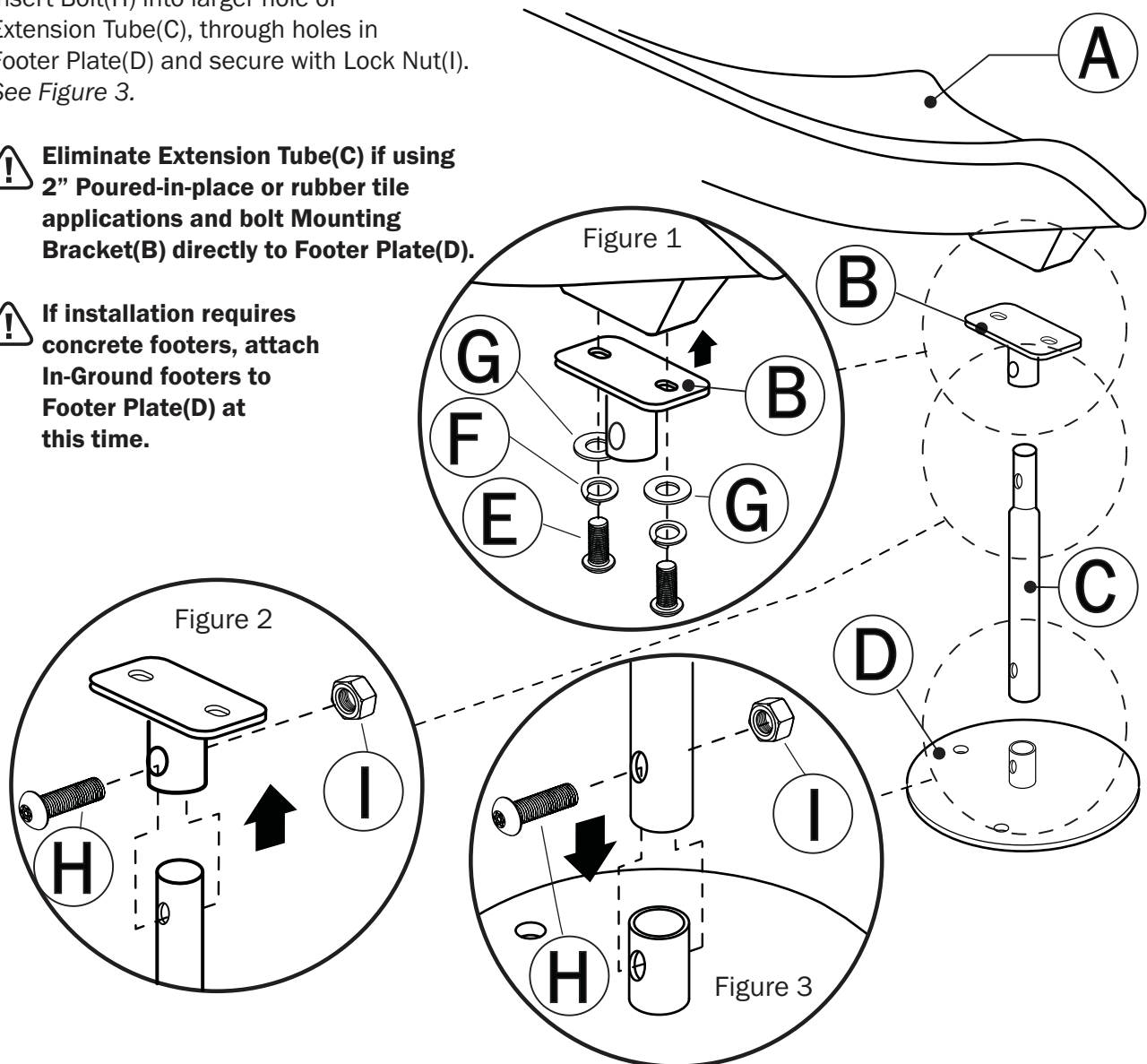
2. Insert Extension Tube(C) into Mounting Bracket(B). Insert Bolt(H) through larger hole in Mounting Bracket(B), through Extension Tube(C) and secure with Lock Nut (I). See Figure 2.

3. Place Extension Tube(C) onto Footer Plate(D) and align holes. Insert Bolt(H) into larger hole of Extension Tube(C), through holes in Footer Plate(D) and secure with Lock Nut(I). See Figure 3.

Parts List			
Letter	Description	Quantity	Part Number
A	Straight Slide	1	02-07-0026
B	Mounting Bracket	1	02-07-0045
C	Extension Tube	1	02-07-0044
D	Footer Plate	1	02-07-0046
	Hardware Complete	1	33-12-0043
E	M10 x 20 BHCS Bolt	2	33-11-0002
F	M10 Lock Washer	2	33-11-0201
G	M10 Flat Washer	2	33-11-0200
H	M10 x 35 BHCS Bolt	2	33-11-0005
I	M10 Lock Nut	2	33-11-0400

! Eliminate Extension Tube(C) if using 2" Poured-in-place or rubber tile applications and bolt Mounting Bracket(B) directly to Footer Plate(D).

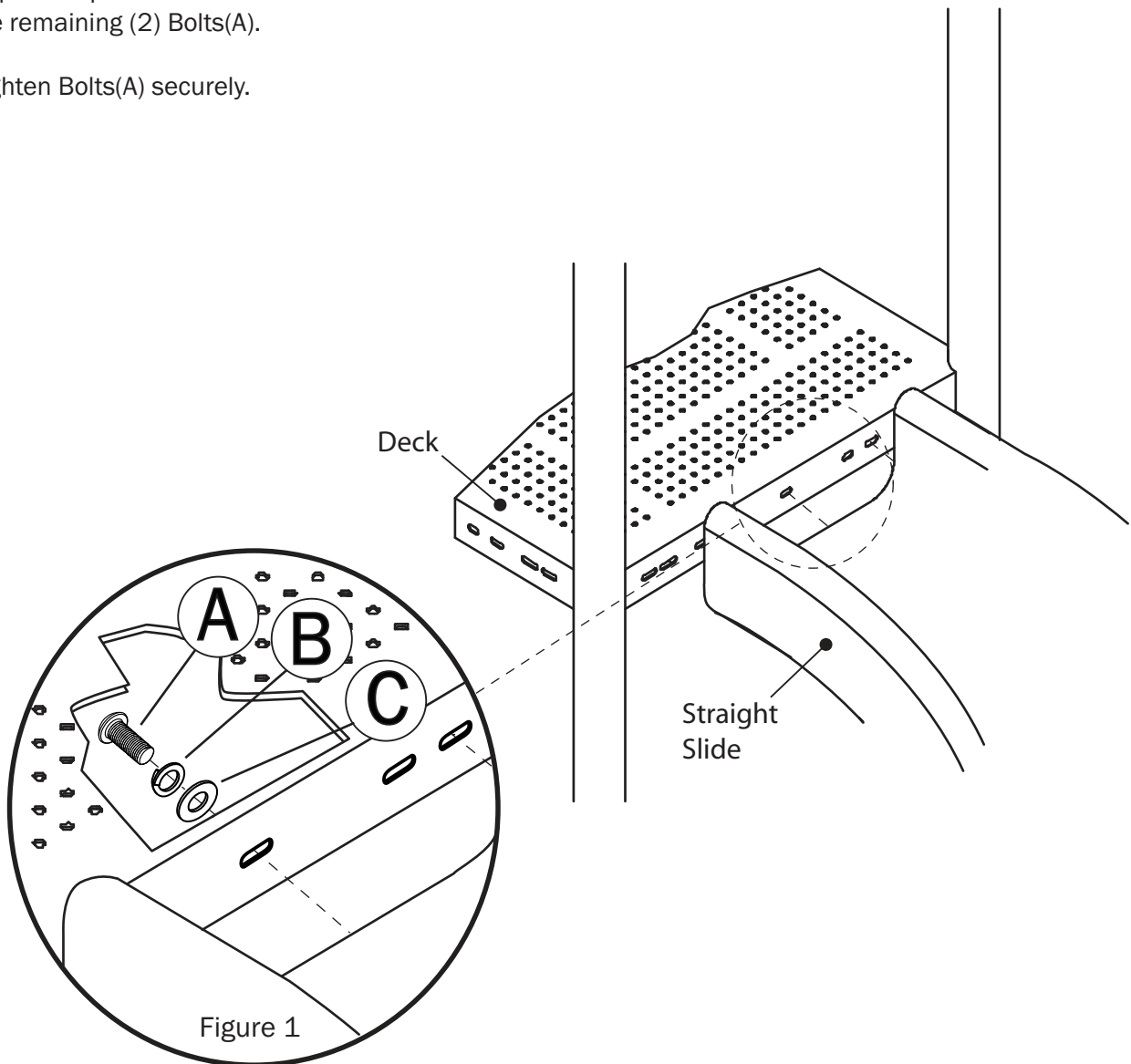
! If installation requires concrete footers, attach In-Ground footers to Footer Plate(D) at this time.



STEP 13 - ATTACH STRAIGHT SLIDE TO DECK

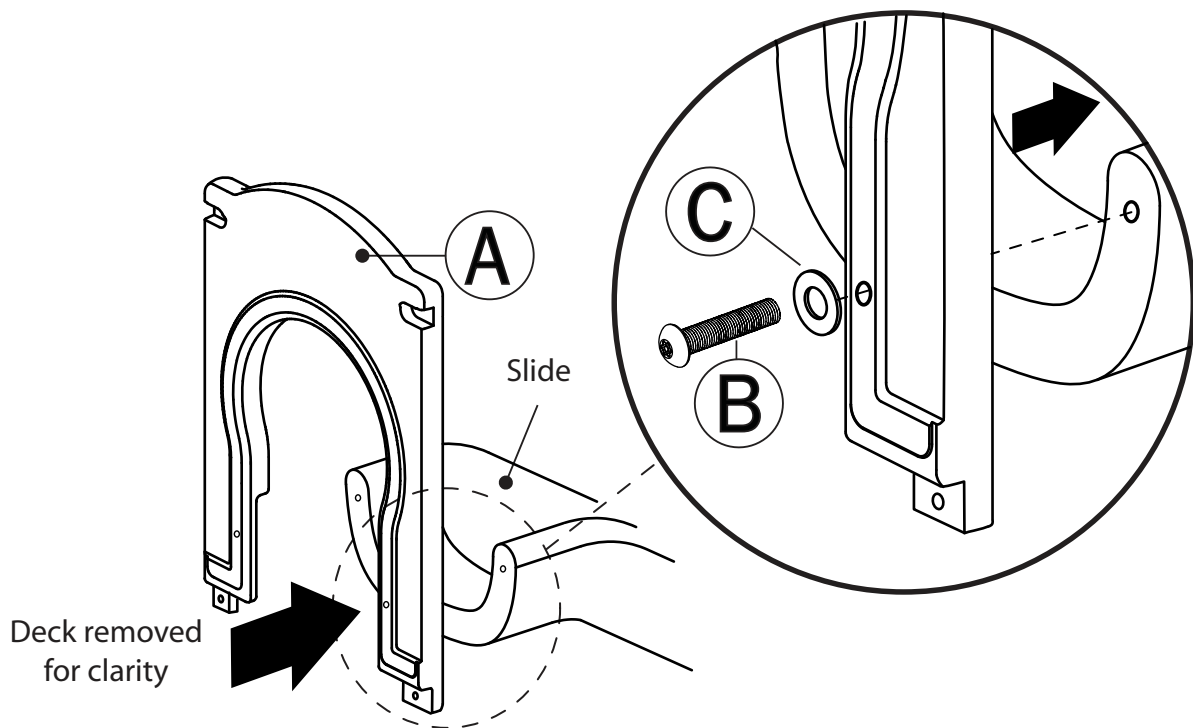
1. Align slots in Deck with (3) lower holes on back of Straight Slide.
2. From underside of Deck, insert Bolt(A), Lock Washer(B) and Flat Washer(C) into center slot in Deck and lightly tighten. See *Figure 1*.
3. Repeat steps 1 and 2 for the remaining (2) Bolts(A).
4. Tighten Bolts(A) securely.

Parts List			
Letter	Description	Quantity	Part Number
	Hardware Complete	1	33-12-0039
A	M10 x 20 BHCS Bolt	3	33-11-0002
B	M10 Lock Washer	3	33-11-0201
C	M10 Flat Washer	3	33-11-0200



STEP 14 - ATTACH SLIDE HOOD TO SLIDE

Parts List			
Letter	Description	Quantity	Part Number
A	Slide Hood	1	02-07-0025
	Hardware Complete	1	33-12-0041
B	M10 x 60 BHCS Bolt	2	33-11-0007
C	M10 Flat Washer	2	33-11-0200



1. Align holes in Slide Hood(A) with (2) upper holes in back of Straight Slide.
2. Insert Bolt(B) and Flat Washer(C) into hole in Slide Hood(A) and lightly tighten to Straight Slide.
3. Repeat steps 1 and 2 for other side.
4. Tighten Bolts(B) securely.

STEP 15 - ATTACH SLIDE HOOD TO DECK AND UPRIGHTS

1. From front side of Slide Hood, insert Bolt(B) and Flat Washer(C) into Slide Hood, through deck and secure with Flat Washer(C) and Lock Nut(D). See Figure 1.
2. From back side of Slide Hood, place flat side of Panel Clamp(A) against Slide Hood. Insert Bolt(E) into slot of Panel Clamp(A), through hole in Slide Hood and secure with Flat Washer(C) and Lock Nut (D). Repeat for other side. See Figure 2.
3. Close Panel Clamp(A) around upright. Insert (2)Bolts(F) into Clamp(A) and tighten with Lock Nuts(D). See Figure 3.

Parts List			
Letter	Description	Quantity	Part Number
A	Panel Clamp	2	02-07-0040
	Hardware Complete	1	33-12-0041
B	M8 x 40 BHCS Bolt	2	33-11-0106
C	M8 Flat Washer	6	33-11-0300
D	M8 Lock Nut	8	33-11-0500
E	M8 x 45 BHCS Bolt	2	33-11-0109
F	M8 x 25 BHCS Bolt	4	33-11-0103

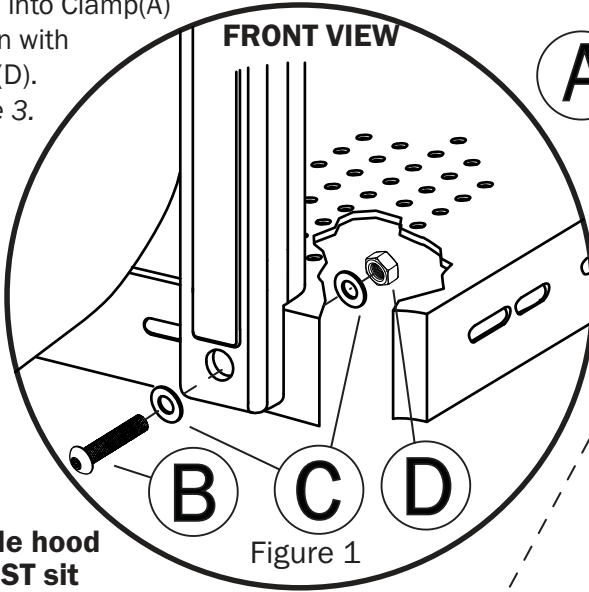


Figure 1

! Slide hood **MUST** sit firmly on deck.

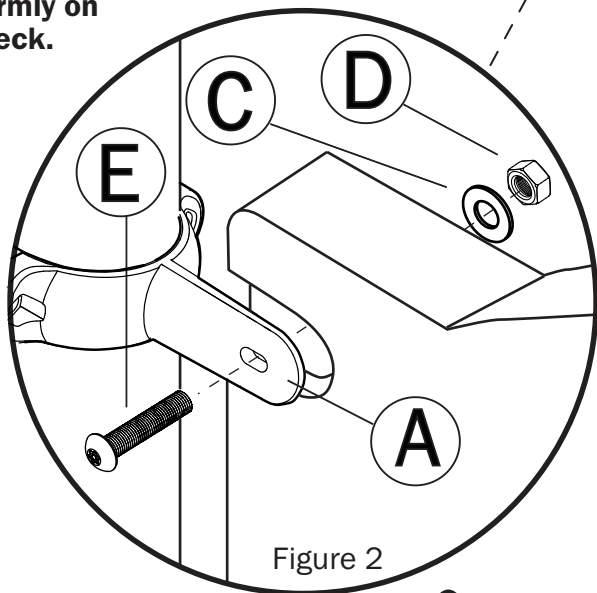
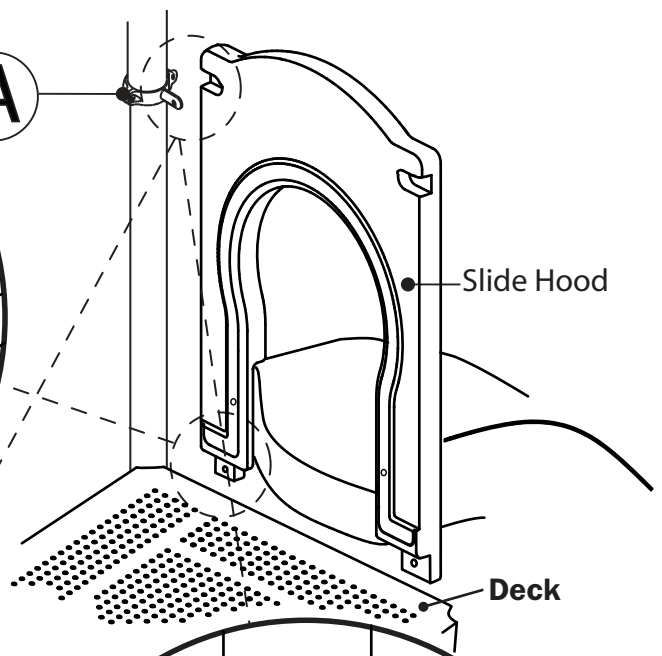


Figure 2

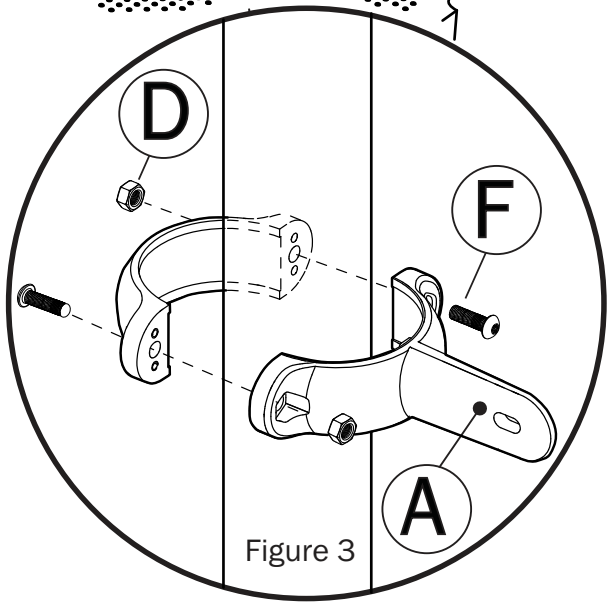


Figure 3

! Bolt(E) **MUST** be cut off if more than (2) threads extend beyond Nut(D) when tightened.

STEP 16 - ATTACH CLIMBER MOUNTING BAR TO DECK



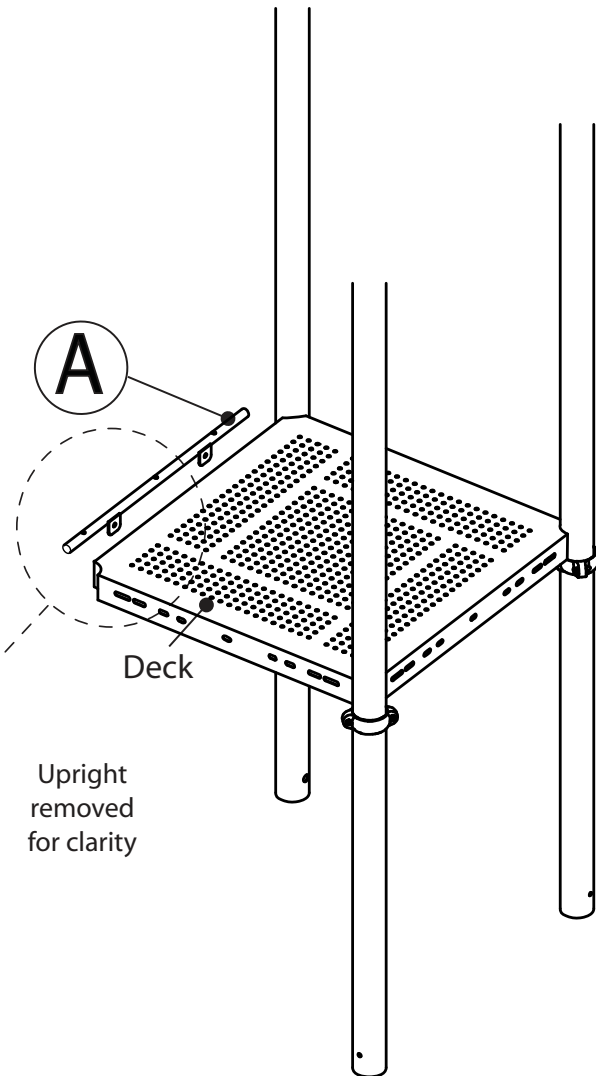
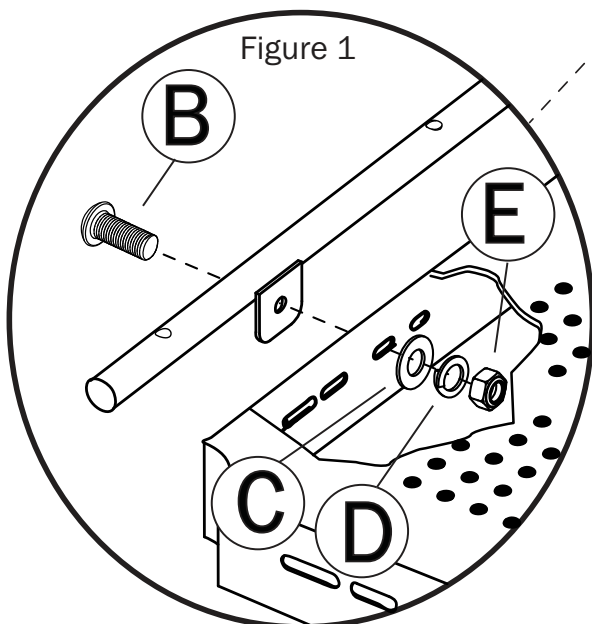
If you have purchased the optional Vine Climber, skip this step and proceed to the Vine Climber Assembly instruction pages.

Parts List			
Letter	Description	Quantity	Part Number
A	Deck Mounting Bar	1	02-07-0090
	Hardware Complete	1	33-12-0014
B	M10 x 30 BHCS Bolt	2	33-11-0004
C	M10 Lock Washer	2	33-11-0201
D	M10 Flat Washer	2	33-11-0200
E	M10 Lock Nut	2	33-11-0400



Use 3rd slot from each end of Deck.

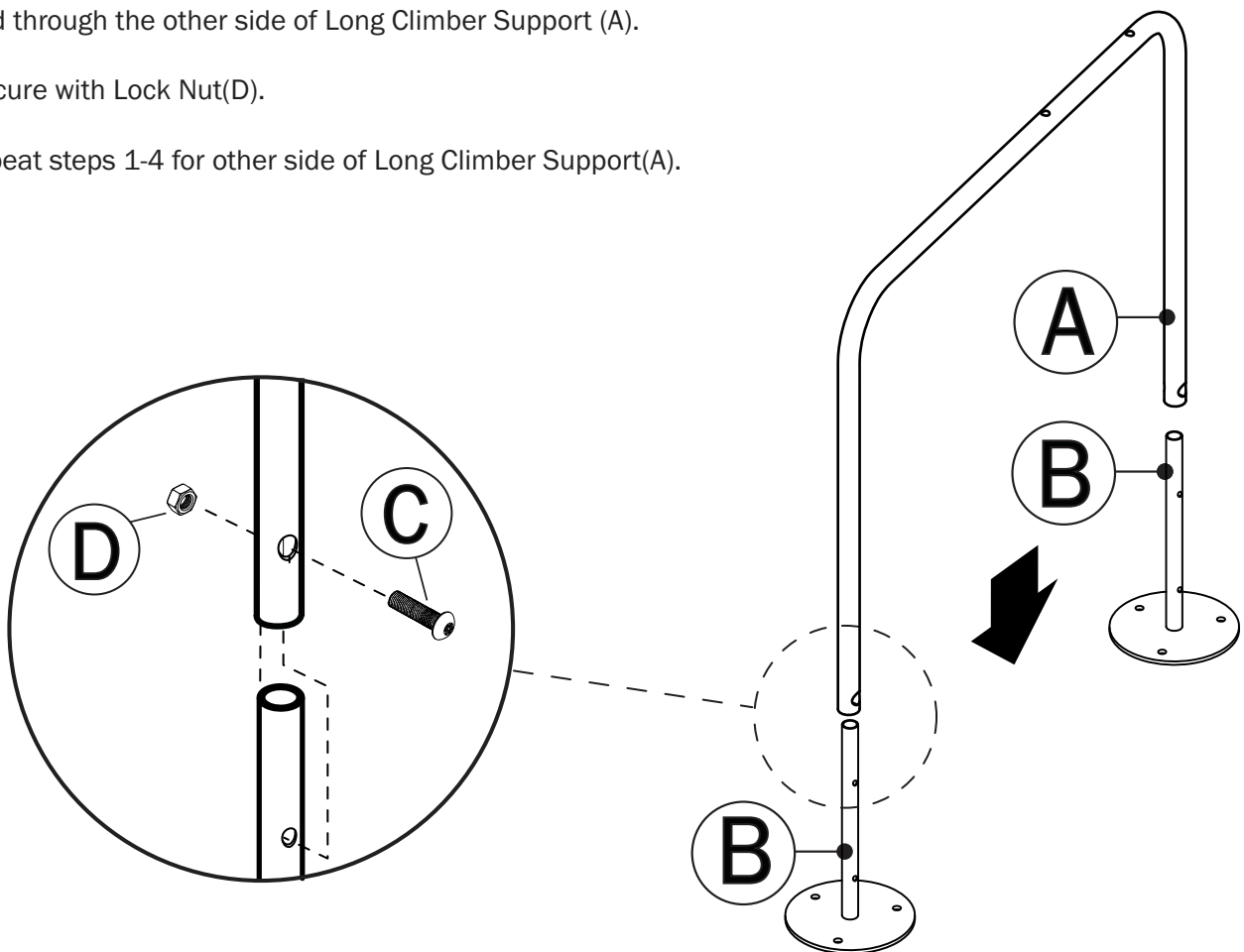
1. Align holes in flange of Deck Mounting Bar(A). Insert Bolt(B) into hole in flange of Deck Mounting Bar(A) and into slot in Deck.
2. Secure from underside of Deck with Flat Washer(C), Lock Washer(D) and Lock Nut(E).
3. Repeat steps 1 and 2 for other side.



STEP 17 - ATTACH FOOTERS TO LONG CLIMBER SUPPORT

Parts List			
Letter	Description	Quantity	Part Number
A	Long Climber Support	1	02-07-0036
B	Handrail Footer	2	02-07-0043
	Hardware Complete	1	33-12-0014
C	M10 x 35 BHCS Bolt	2	33-11-0005
D	M10 Lock Nut	2	33-11-0400

1. Choose the appropriate hole in Handrail Footer(B) for your surfacing application.
2. Align hole in Long Climber Support(A) with hole in Handrail Footer(B).
3. Insert Bolt(C) through larger hole in Long Climber Support(A), into Handrail Footer(B) and through the other side of Long Climber Support (A).
4. Secure with Lock Nut(D).
5. Repeat steps 1-4 for other side of Long Climber Support(A).



STEP 18 - ATTACH FOOTERS TO SHORT CLIMBER SUPPORT

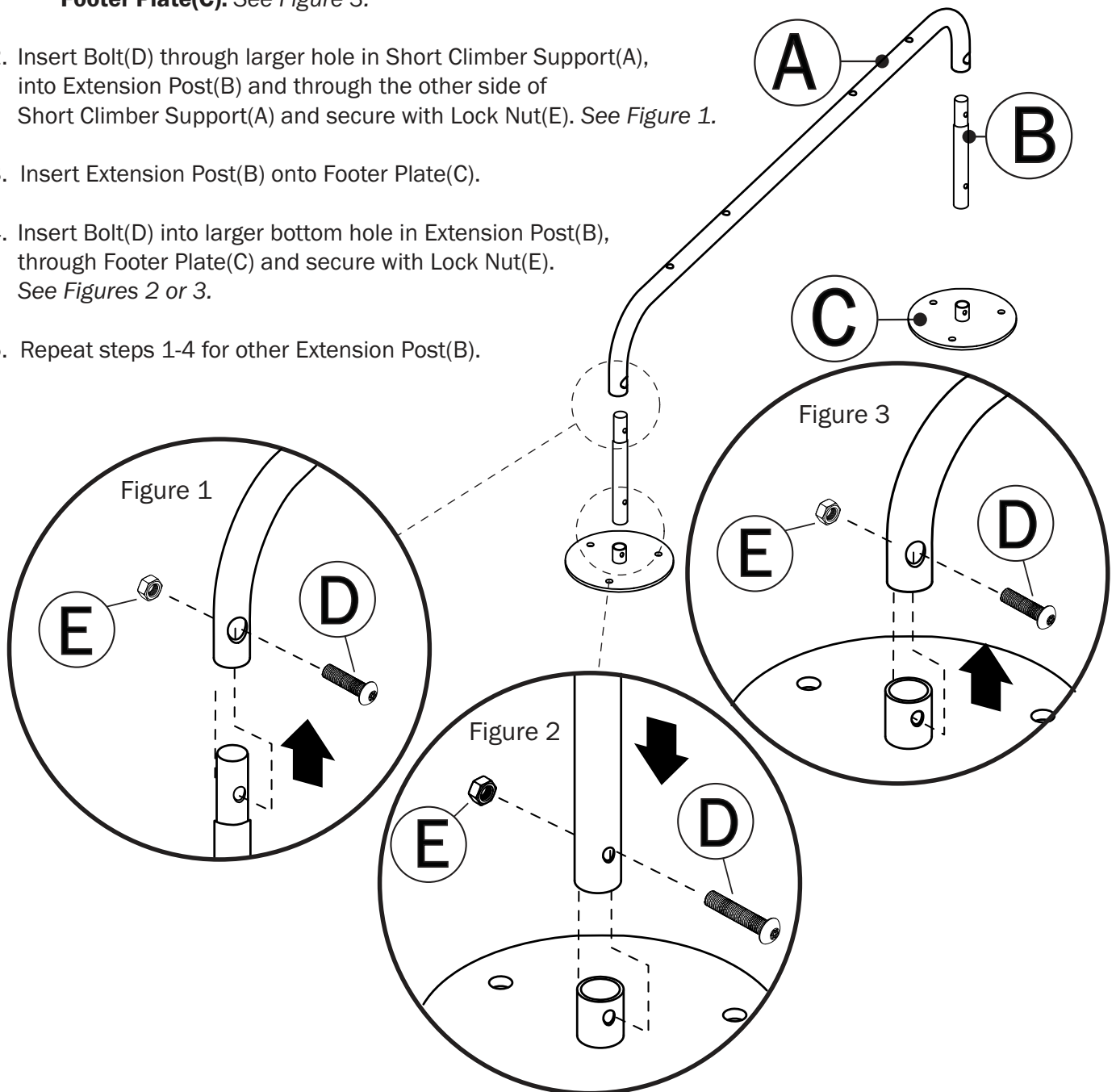
1. Insert Extension Post(B) into Short Climber Support(A).



Extension Posts(B) are used with 12" EWF Surfacing only. Discard Extension Posts if using 2" rubber tiles or poured-in-place surfacing and bolt directly to Footer Plate(C). See Figure 3.

Parts List			
Letter	Description	Quantity	Part Number
A	Short Climber Support	1	02-07-0035
B	Extension Post	2	02-07-0044
C	Footer Plate	2	02-07-0046
	Hardware Complete	1	33-12-0014
D	M10 x 35 BHCS Bolt	4	33-11-0005
E	M10 Lock Nut	4	33-11-0400

2. Insert Bolt(D) through larger hole in Short Climber Support(A), into Extension Post(B) and through the other side of Short Climber Support(A) and secure with Lock Nut(E). See Figure 1.
3. Insert Extension Post(B) onto Footer Plate(C).
4. Insert Bolt(D) into larger bottom hole in Extension Post(B), through Footer Plate(C) and secure with Lock Nut(E). See Figures 2 or 3.
5. Repeat steps 1-4 for other Extension Post(B).



STEP 19 - ATTACH ULTRA MOUNTAIN CLIMBER TO SUPPORTS

1. Place Climber Supports in position.
2. Place Ultra Mountain Climber(A) onto Climber supports. Align supports as necessary.
3. From underside of Ultra Mountain Climber(A), insert pencil through holes in Climber Supports and mark all hole positions.

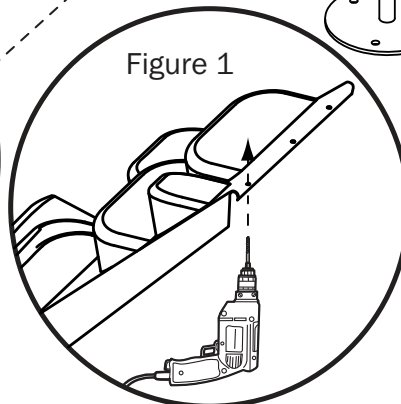
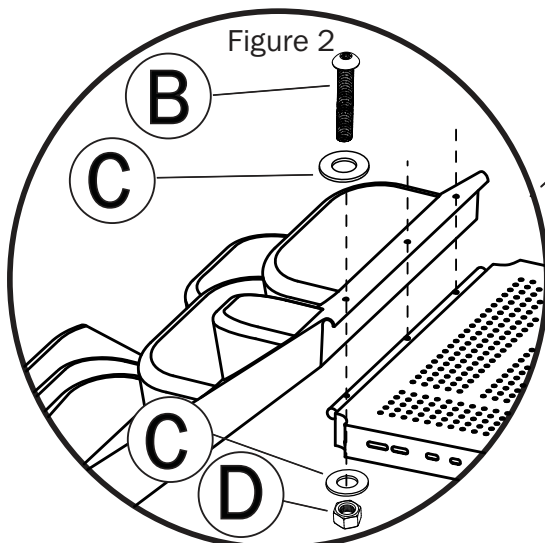
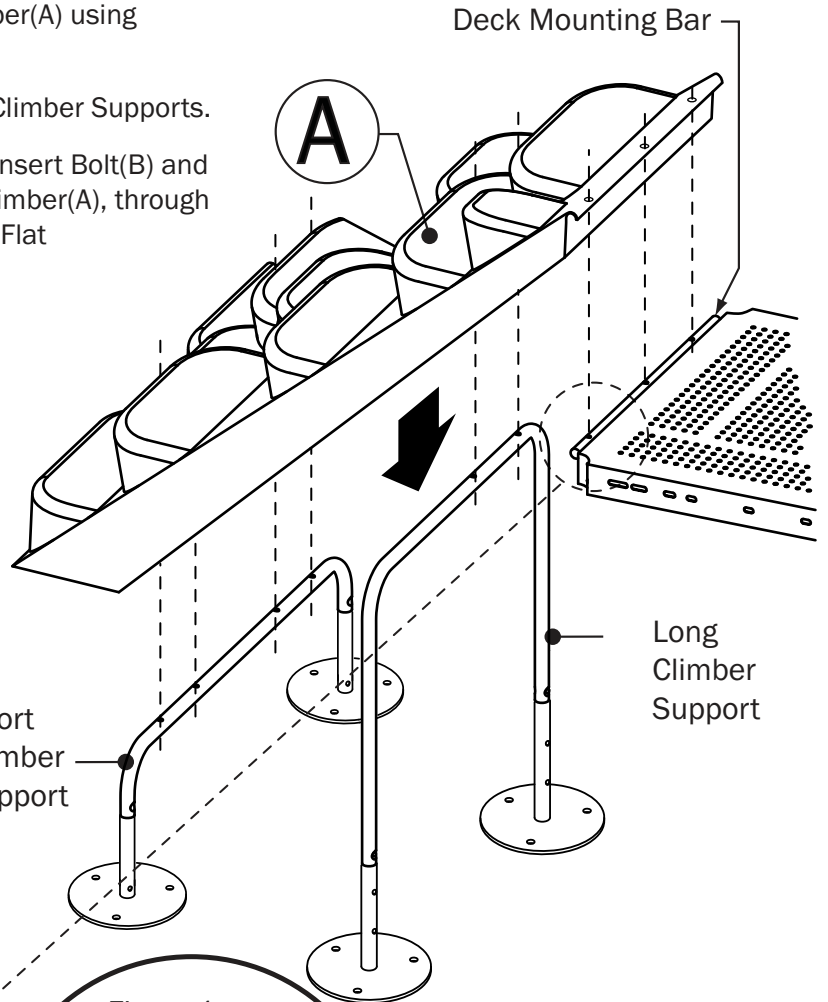
Parts List			
Letter	Description	Quantity	Part Number
A	Ultra Mountain Climber	1	02-07-0034
	Hardware Complete	1	33-12-0014
B	M10 x 70 BHCS Bolt	9	33-11-0008
C	M10 Flat Washer	18	33-11-0200
D	M10 Lock Nut	9	33-11-0400

4. Drill (9) 3/8" holes into Ultra Mountain Climber(A) using pencil marks as guide. See *Figure 1*.
5. Place Ultra Mountain Climber(A) back onto Climber Supports.
6. From top side of Ultra Mountain Climber(A), Insert Bolt(B) and Flat Washer(C) into hole in Ultra Mountain Climber(A), through holes in Deck Mounting Bar and secure with Flat Washer(C) and Lock Nut(D). See *Figure 2*.

! Lightly tighten bolts until all hardware is installed.

7. Repeat Step 6 for Long Climber Support and Short Climber Support.
8. Tighten all bolts.

! If installation requires concrete footers, attach In-ground Footers to Footer Plate at this time.

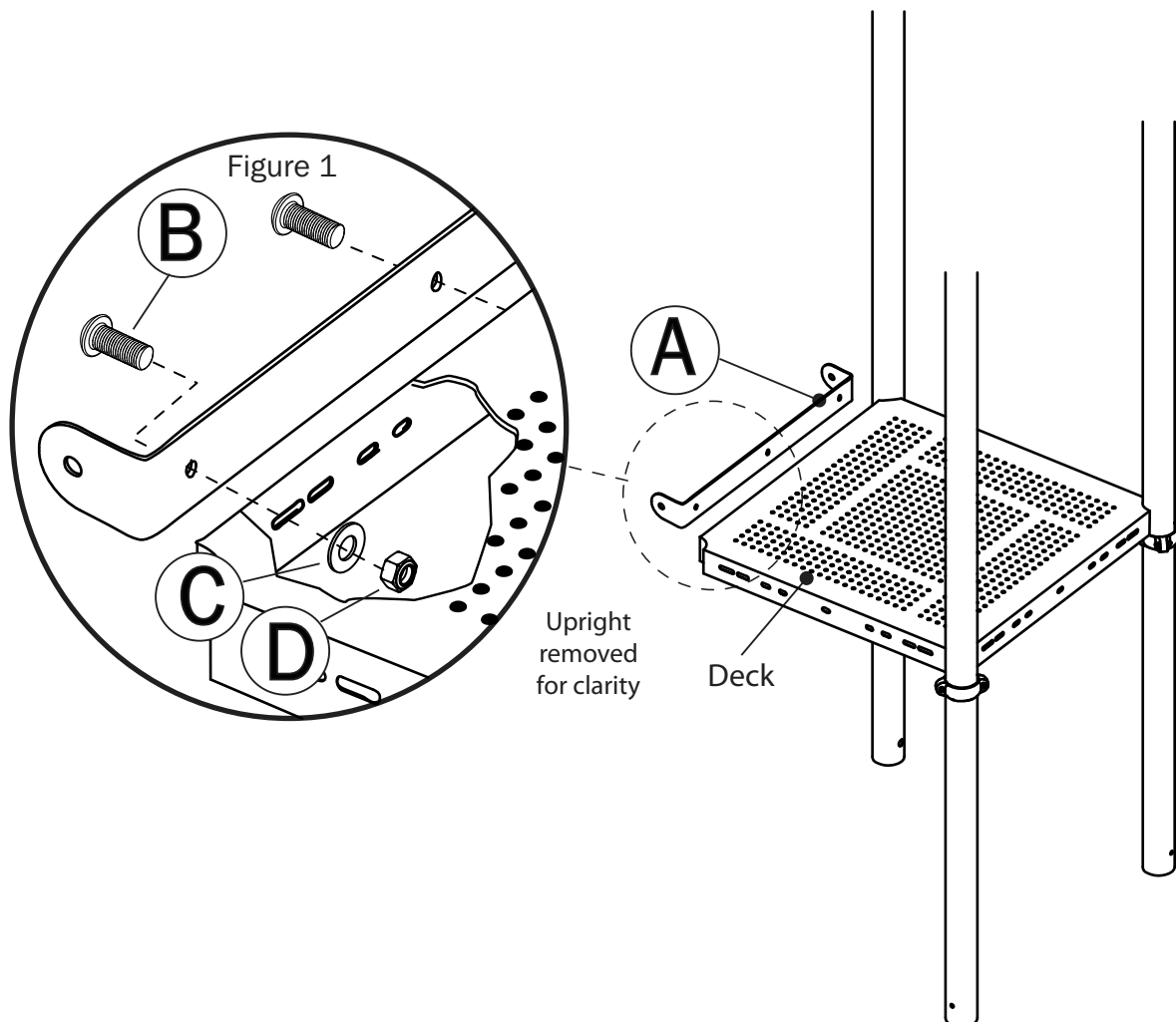


Bolts(B) MUST be cut off if more than (2) threads extend beyond Nut(D) when tightened .

OPTIONAL VINE CLIMBER INSTALLATION (Page 1 of 3)

1. Insert Bolt(B) into center hole in Deck Mounting Bracket(A) and into center slot in Deck.
2. Secure from underside of Deck with Flat Washer(C) and Lock Nut(D). See *Figure 1*.
3. Repeat steps 1 and 2 for remaining (2) Bolts(B).

Parts List			
Letter	Description	Quantity	Part Number
A	Deck Mounting Bracket	1	02-07-0085
	Hardware Complete	1	33-12-0015
B	M10 x 20 BHCS Bolt	3	33-11-0002
C	M10 Flat Washer	3	33-11-0200
D	M10 Lock Nut	3	33-11-0400

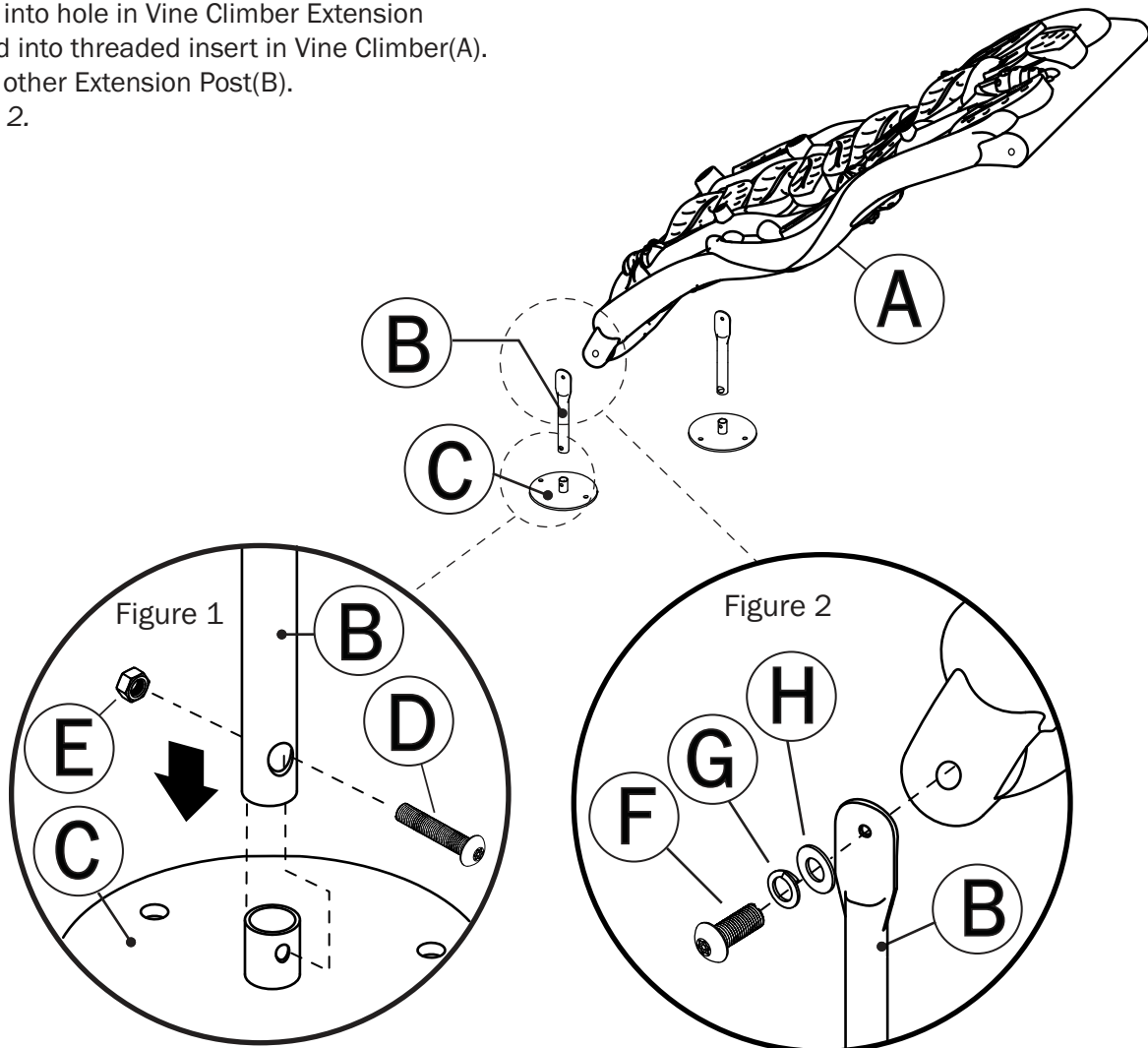


OPTIONAL VINE CLIMBER INSTALLATION (Page 2 of 3)

! There are (2) sizes of Vine Climber Extension Posts(B) Provided. Use the short extension post **ONLY** for 2" poured-in-place surfacing or rubber tiles.

Parts List			
Letter	Description	Quantity	Part Number
A	Vine Climber	1	02-07-0032
B	Vine Climber Extension Post-Long	2	02-07-0097
B	Vine Climber Extension Post-Short	2	02-07-0098
C	Footer Plate	2	02-07-0046
	Hardware Complete	1	33-12-0015
D	M10 x 35 BHCS Bolt	2	33-11-0005
E	M10 Lock Nut	1	33-11-0400
F	M10 x 25 BHCS Bolt	2	33-11-0003
G	M10 Lock Washer	2	33-11-0201
H	M10 Flat Washer	2	33-11-0200

1. Insert Extension Post(B) onto Footer Plate(C).
2. Insert Bolt(D) through larger hole in Vine Climber Extension Post(B), through hole in Footer Plate(C) and secure with Lock Nut(E). Repeat Steps 1 and 2 for other Extension Post (B). See Figure 1.
3. Insert Bolt(F), Lock Washer(G) and Flat Washer(H) into hole in Vine Climber Extension Post(B) and into threaded insert in Vine Climber(A). Repeat for other Extension Post(B). See Figure 2.



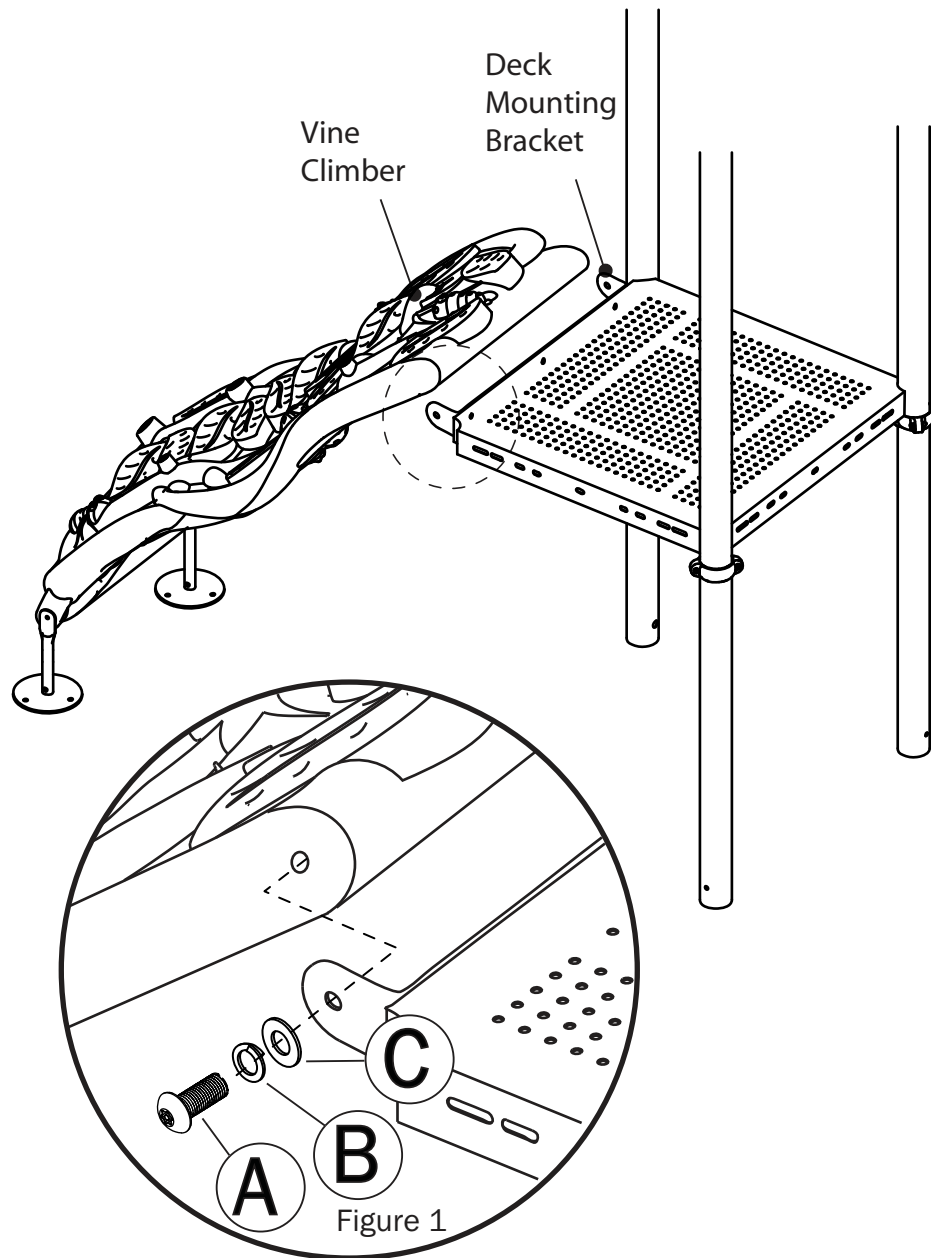
OPTIONAL VINE CLIMBER INSTALLATION (Page 3 of 3)

1. Insert Bolt(A), Lock Washer(B) and Flat Washer(C) into hole in Deck Mounting Bracket and into threaded insert in Vine Climber. See *Figure 1*.

2. Repeat for other side.

3. Tighten all Bolts(A).

Parts List			
Letter	Description	Quantity	Part Number
	Hardware Complete	1	33-12- 0015
A	M10 x 25 BHCS Bolt	2	33-11- 0003
B	M10 Lock Washer	2	33-11- 0201
C	M10 Flat Washer	2	33-11- 0200



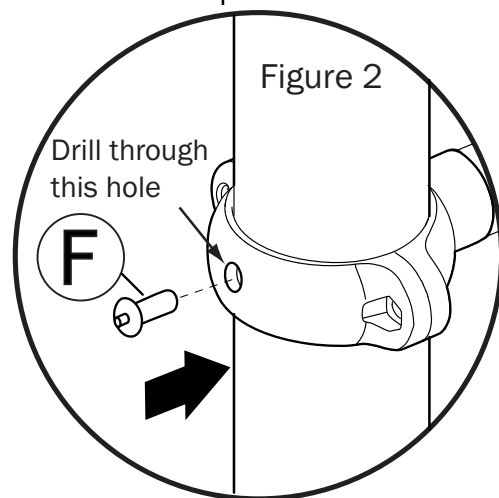
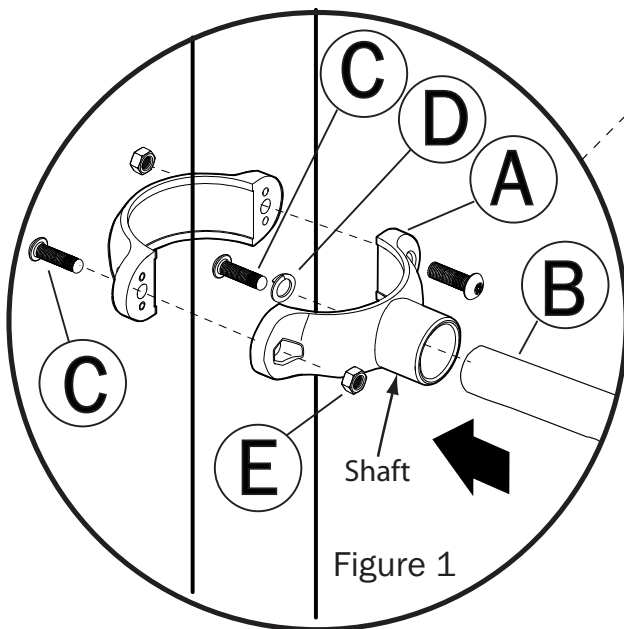
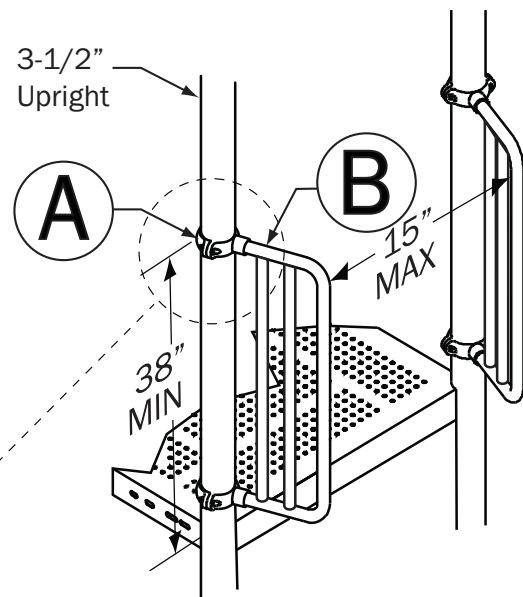
STEP 20 - ATTACH (2) GRAB BARS TO UPRIGHTS

1. Insert shaft of Tube Clamp(A) onto Grab Bar(B) and secure with Bolt(C) and Lock Washer(D). See Figure 1.
2. Repeat for remaining (3) Tube Clamps(A).
3. Place Tube Clamp(A) into position against Upright and enclose Upright with Tube Clamp(A).
4. Align holes in Tube Clamp(A), Insert Bolt(C) and lightly secure with Lock Nut (E).

Parts List			
Letter	Description	Quantity	Part Number
A	Tube Clamp	4	02-07-0039
B	Grab Bar	2	02-07-0033
	Hardware Complete	1	33-12-0016
C	M8 x 25 BHCS Bolt	12	33-11-0103
D	M8 Lock Washer	4	33-11-0301
E	M8 Lock Nut	8	33-11-0500
F	Clamp Rivet	4	33-11-0700

! The vertical position of the Grab Bars(B) must be at a minimum of 38" above the deck. The clamp position can be adjusted higher to avoid interference with other clamps

5. Repeat Steps 3 and 4 to attach other Grab Bar(B).
6. Level Grab Bars(B) with each other and rotate to an opening width of 15"(38mm) maximum as shown. Tighten hardware.
7. Drill 7mm (1/4") hole through Clamp(B) and into Upright. Insert Clamp Pin(F) into hole and tap into Tube Clamp(A) with hammer. See Figure 2.



STEP 21 - CONNECT THIRD DECK TO 13' UPRIGHTS



Assemble deck and uprights close to their installed position.

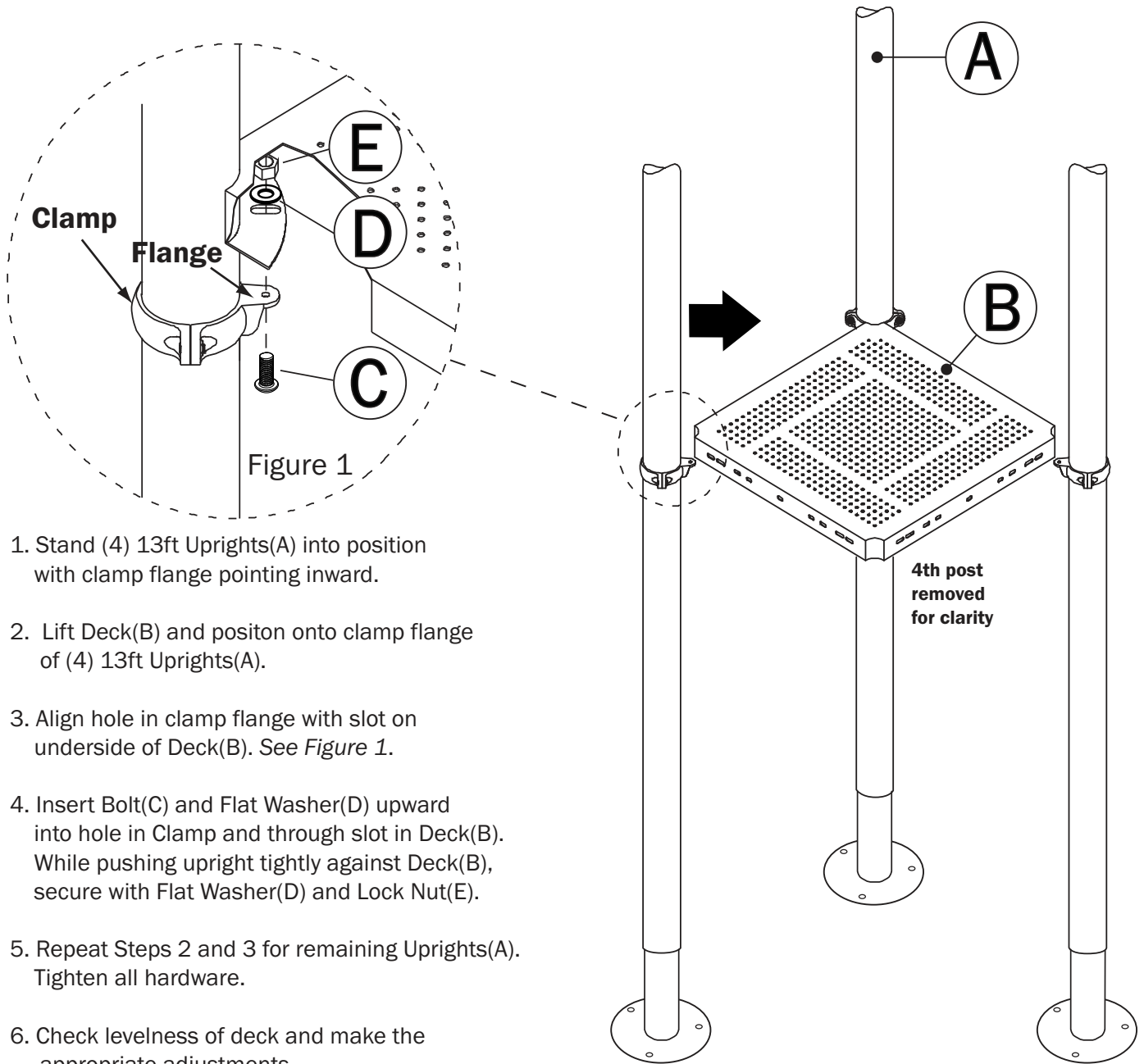


Coating on deck may prevent insertion of hardware. Trim out slots with utility knife if necessary.



Posts must be supported until all hardware is installed.

Parts List			
Letter	Description	Quantity	Part Number
A	13' Uprights w/clamp	4	02-07-0001
B	36-3/4" (933mm) Deck	1	02-07-0003
	Hardware Complete	1	33-12-0019
C	M10 x 30 BHCS Bolt	4	33-11-0004
D	M10 Flat Washer	4	33-11-0200
E	M10 Lock Nut	4	33-11-0400



- Stand (4) 13ft Uprights(A) into position with clamp flange pointing inward.
- Lift Deck(B) and position onto clamp flange of (4) 13ft Uprights(A).
- Align hole in clamp flange with slot on underside of Deck(B). See *Figure 1*.
- Insert Bolt(C) and Flat Washer(D) upward into hole in Clamp and through slot in Deck(B). While pushing upright tightly against Deck(B), secure with Flat Washer(D) and Lock Nut(E).
- Repeat Steps 2 and 3 for remaining Uprights(A). Tighten all hardware.
- Check levelness of deck and make the appropriate adjustments.

STEP 22 - CONNECT 2' TOWER STAIRS TO DECKS

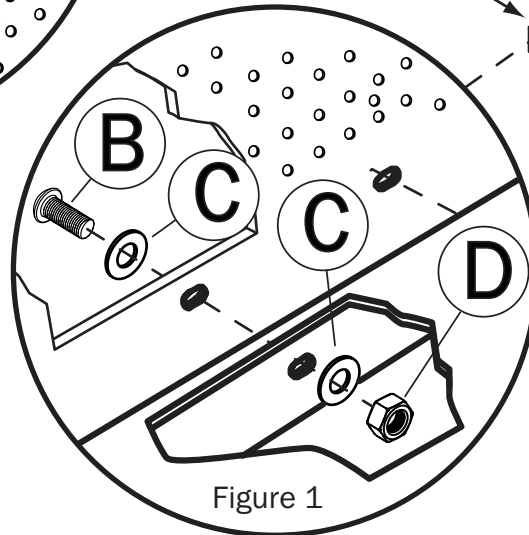
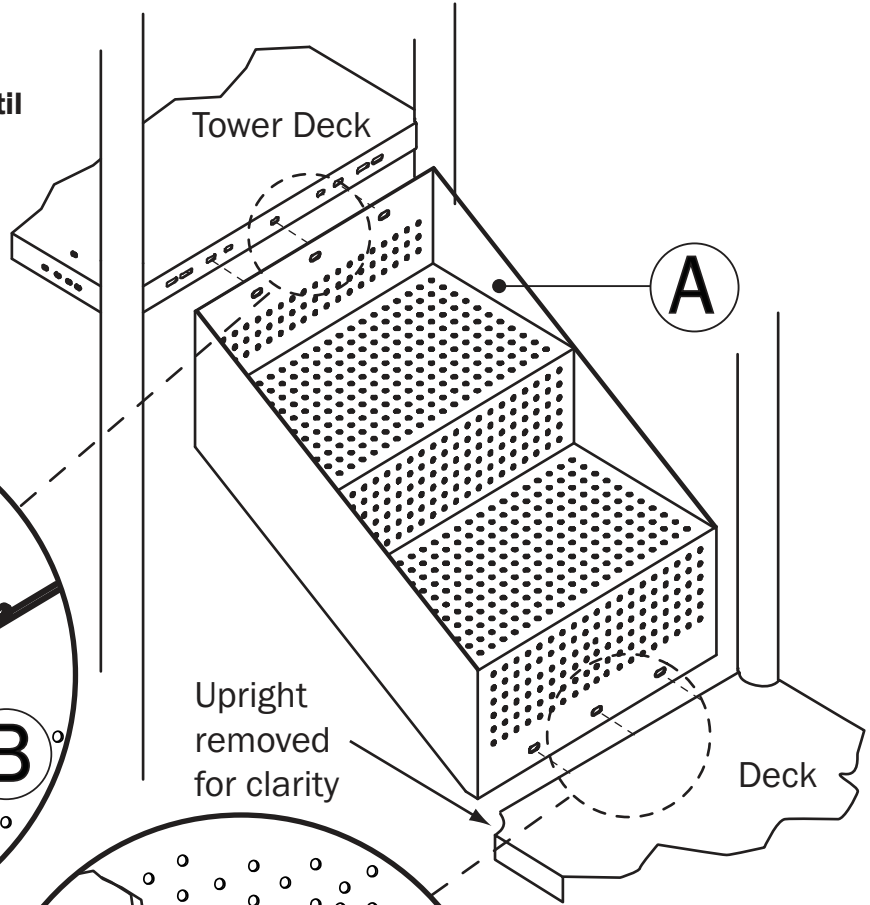
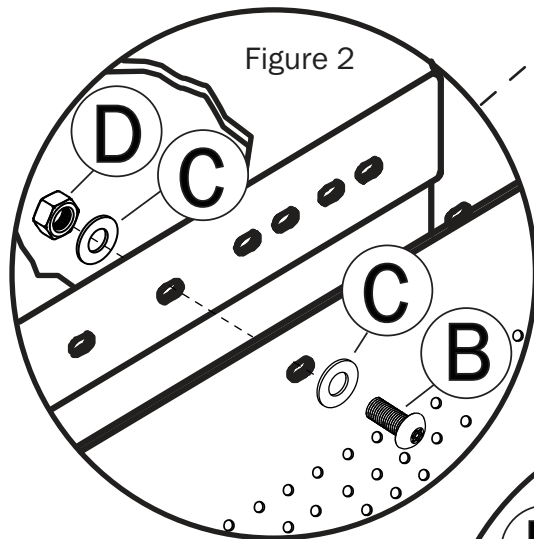
1. Align slots in Tower Stair(A) with slots in Deck.
2. Insert Bolt(B) and Flat Washer(C) into middle slot of Stairs(A), through middle slot of Deck and secure with Flat Washer(C) and Lock Nut(D). See *Figure 1*.

Parts List			
Letter	Description	Quantity	Part Number
A	Tower Stair	1	02-07-0007
	Hardware Complete	1	33-12-0044
B	M10 x 25 BHCS Bolt	6	33-11-0003
C	M10 Flat Washer	12	33-11-0200
D	M10 Lock Nut	6	33-11-0400



Lightly tighten bolts until all bolts are installed.

3. Repeat Steps 1 and 2 to connect Stair to Tower Deck See *Figure 2*.
4. Tighten all Bolts.

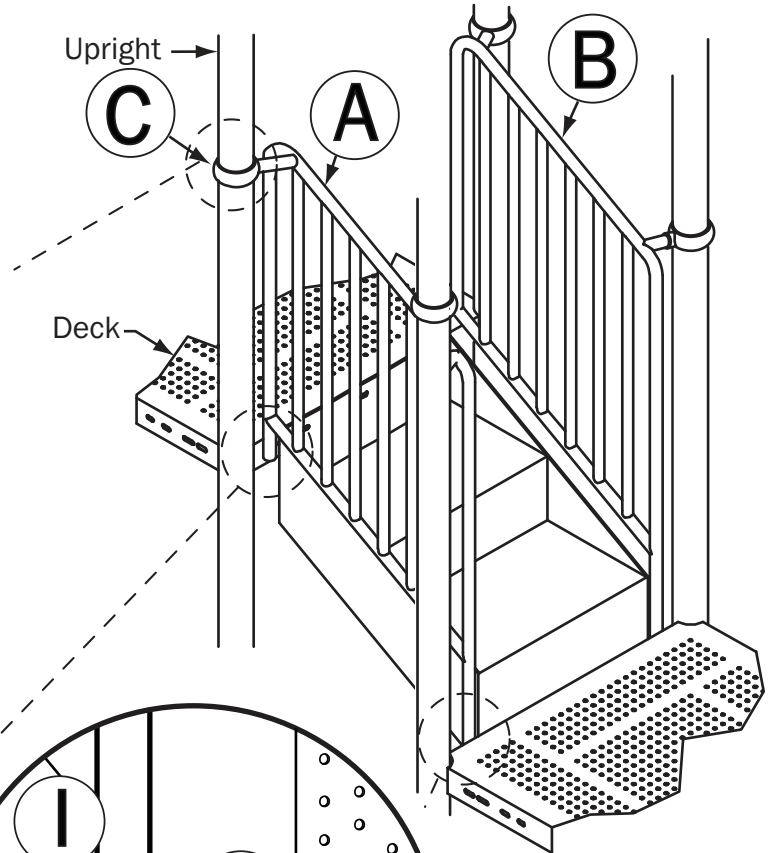
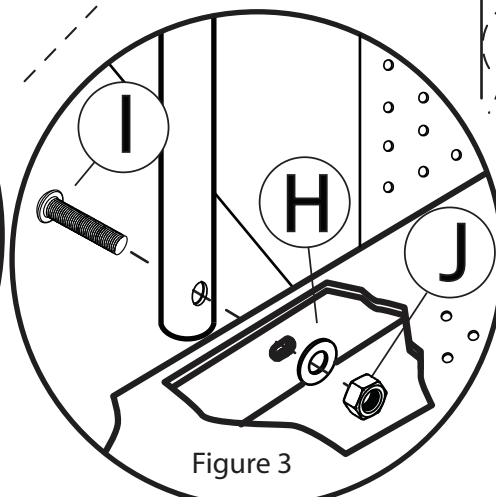
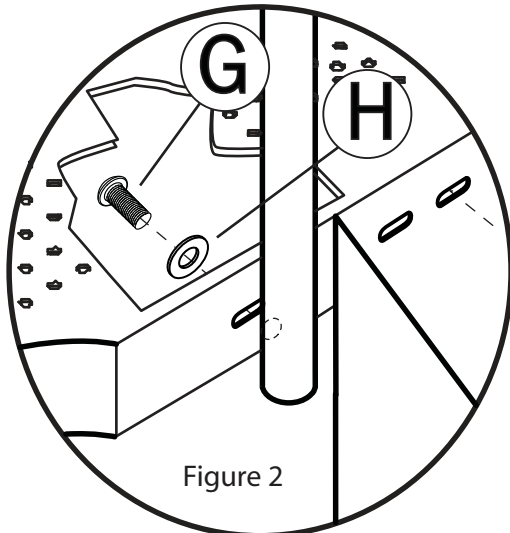
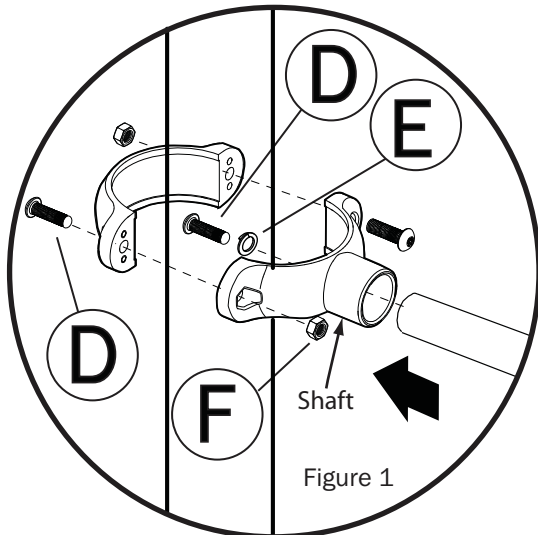


STEP 23 - INSTALL 2' STAIR HANDRAILS

1. Insert shaft of Clamp(C) onto upper tube of LEFT Handrail(A) and secure with Bolt(D) and Lock Washer(E). Repeat for lower tube. See Figure 1.
2. Close Clamps(C) of Left Handrail(A) around Uprights and insert Bolts(D) and lightly secure with Lock Nuts(F). See Figure 1.
3. From underside of Deck, insert Bolt(G) and Flat Washer(H) through slot in upper deck and into insert in Left Handrail(A). See Figure 2.
4. From outside of Deck, insert Bolt(I) through Left Handrail(A) into slot in Deck and secure with Flat Washer(H) and Lock Nut(J). See Figure 3.
5. Repeat steps 1 thru 4 for Right Handrail(B).

Parts List			
Letter	Description	Quantity	Part Number
A	LEFT Handrail	1	02-07-0009
B	RIGHT Handrail	1	02-07-0096
C	Tube Clamp	4	02-07-0039
	Hardware Complete	1	33-12-0044
D	M8 x 25 BHCS Bolt	12	33-12-0103
E	M8 Lock Washer	4	33-11-0301
F	M8 Lock Nut	8	33-11-0500
G	M10 x 20 BHCS Bolt	2	33-11-0102
H	M10 Flat Washer	4	33-11-0200
I	M10 x 50 BHCS Bolt	2	33-11-0010
J	M10 Lock Nut	2	33-11-0400

⚠ Tighten hardware securely.



STEP 24 - INSTALL 6' WAVE SLIDE FOOTER

1. Insert Bolt(E), Lock Washer(F) and Flat Washer(G) into slot in Mounting Bracket(B) into holes in underside of Slide(A). See *Figure 1*.

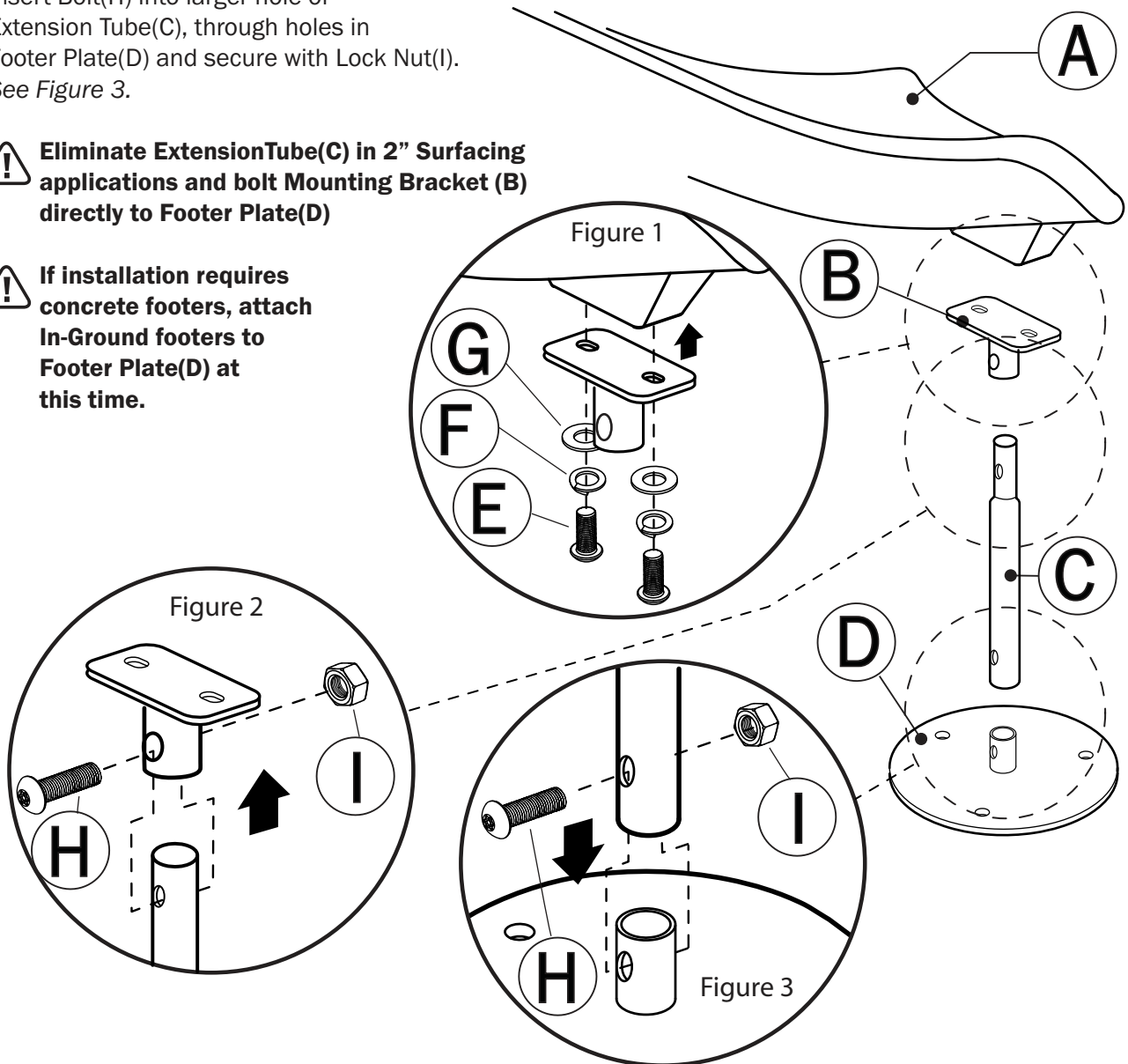
2. Insert Extension Tube(C) into Mounting Bracket(B). Insert Bolt(H) through larger hole in Mounting Bracket(B), through Extension Tube(C) and secure with Lock Nut (I). See *Figure 2*.

3. Place Extension Tube(C) onto Footer Plate(D) and align holes. Insert Bolt(H) into larger hole of Extension Tube(C), through holes in Footer Plate(D) and secure with Lock Nut(I). See *Figure 3*.

Parts List			
Letter	Description	Quantity	Part Number
A	6' Wave Slide	1	02-07-0028
B	Mounting Bracket	1	02-07-0045
C	Extension Tube	1	02-07-0044
D	Footer Plate	1	02-07-0046
	Hardware Complete	1	33-12-0043
E	M10 x 20 BHCS Bolt	2	33-11-0002
F	M10 Lock Washer	2	33-11-0201
G	M10 Flat Washer	4	33-11-0200
H	M10 x 35 BHCS Bolt	2	33-11-0005
I	M10 Lock Nut	2	33-11-0400

! Eliminate Extension Tube(C) in 2" Surfacing applications and bolt Mounting Bracket (B) directly to Footer Plate(D)

! If installation requires concrete footers, attach In-Ground footers to Footer Plate(D) at this time.



STEP 25 - INSTALL 6' WAVE SLIDE CENTER SUPPORT POST

1. Choose appropriate hole in Footer(C) for your surfacing application.
2. Insert Footer(C) inside of Center Support Post(B) and align holes.
3. Insert Bolt(D) through larger hole in Center Support Post(B), into Footer(C) and through other side of Center Support Post(B).
4. Secure with Lock Nut(E).
5. Place mounting plate of Center Support Post(B) against the underside of Wave Slide(A) and align holes.

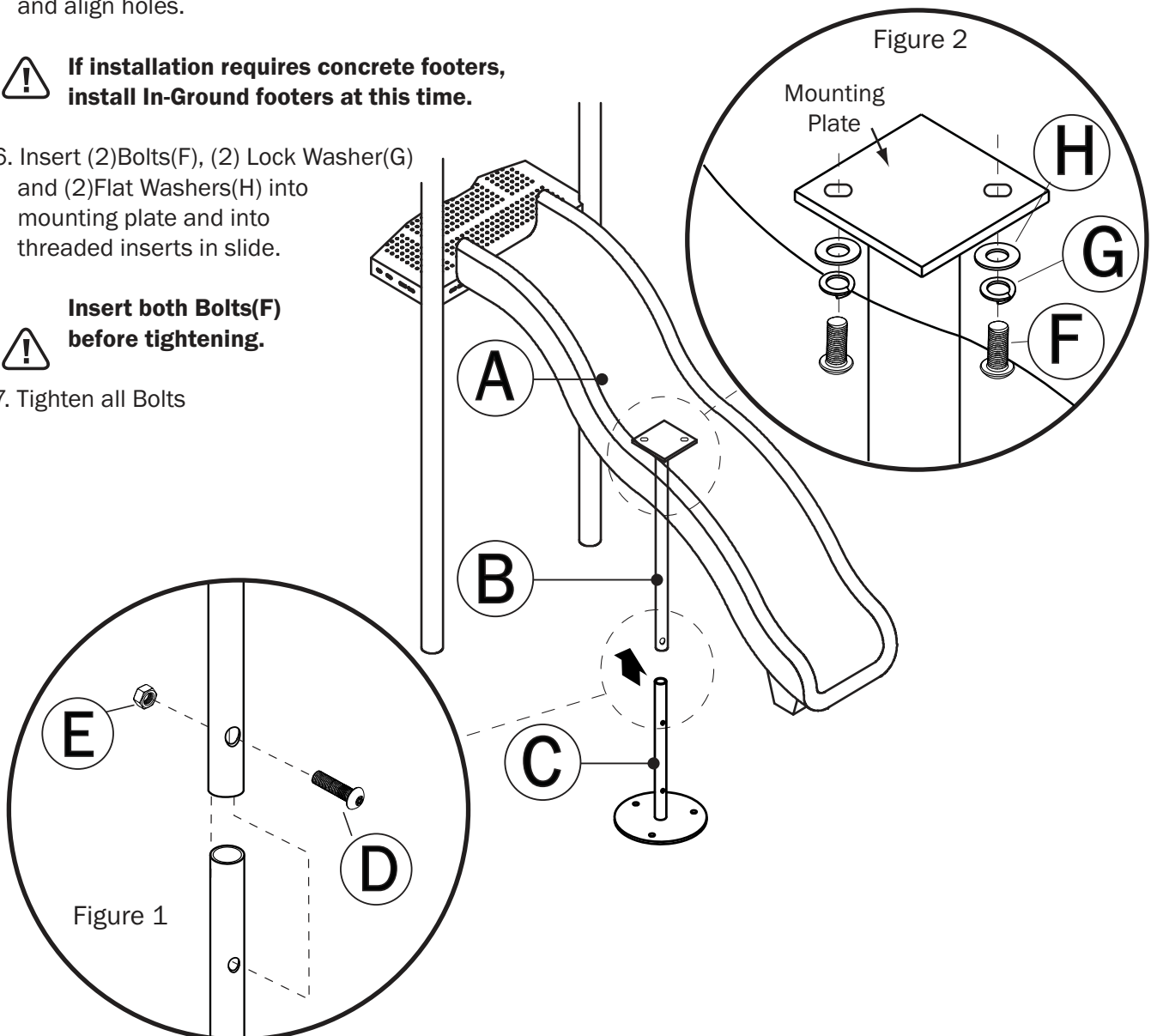
Parts List			
Letter	Description	Quantity	Part Number
A	6' Wave Slide	1	02-07-0028
B	Center Support Post	1	02-07-0063
C	1" Footer	1	02-07-0043
	Hardware Complete	1	33-12-0040
D	M10 x 35 BHCS Bolt	1	33-12-0005
E	M10 Lock Nut	1	33-12-0400
F	M10 x 20 BHCS Bolt	2	33-12-0002
G	M10 Lock Washer	2	33-12-0201
H	M10 Flat Washer	2	33-12-0200

! If installation requires concrete footers, install In-Ground footers at this time.

6. Insert (2)Bolts(F), (2) Lock Washer(G) and (2)Flat Washers(H) into mounting plate and into threaded inserts in slide.

! Insert both Bolts(F) before tightening.

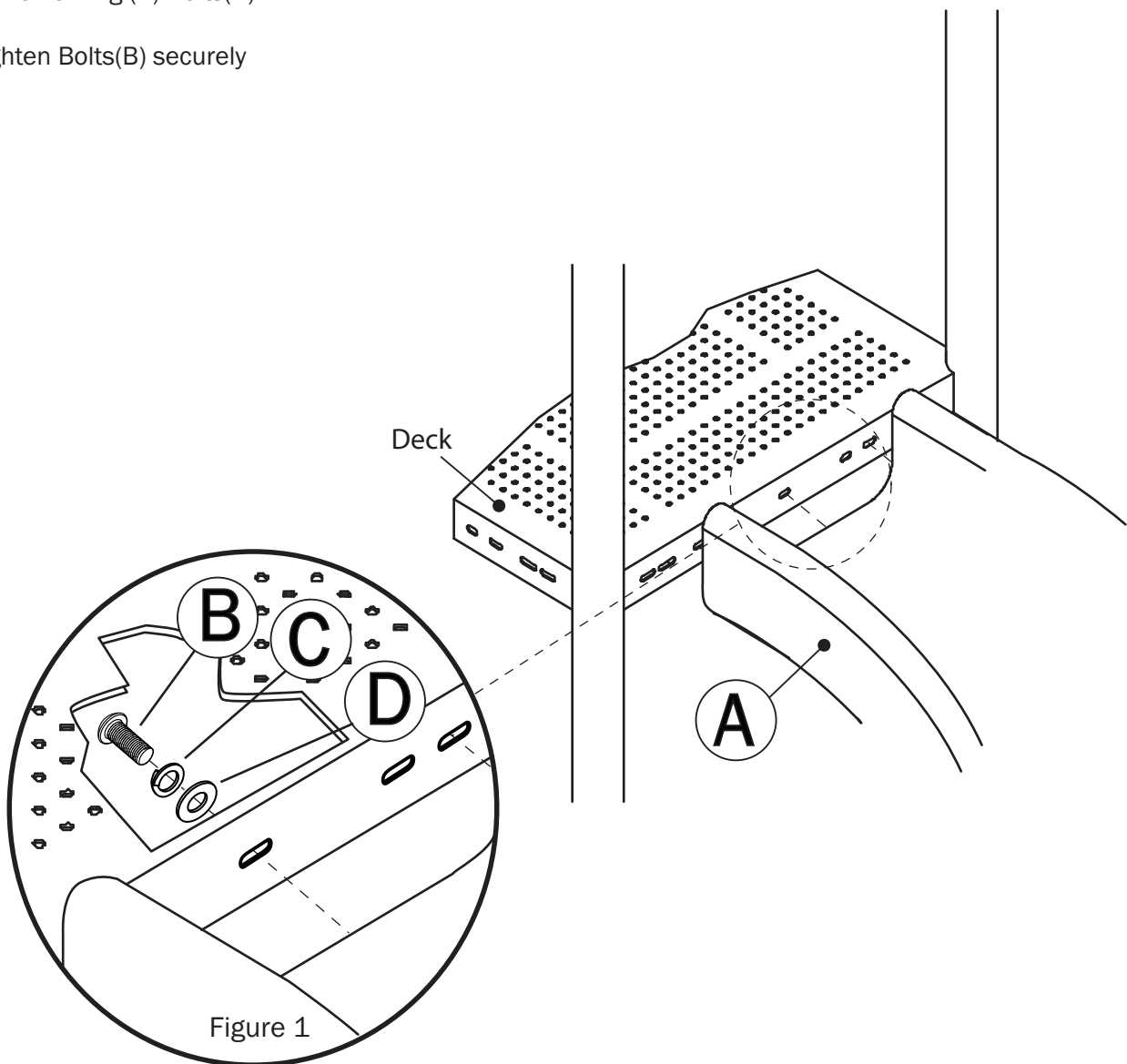
7. Tighten all Bolts



STEP 26 - ATTACH 6' WAVE SLIDE TO DECK

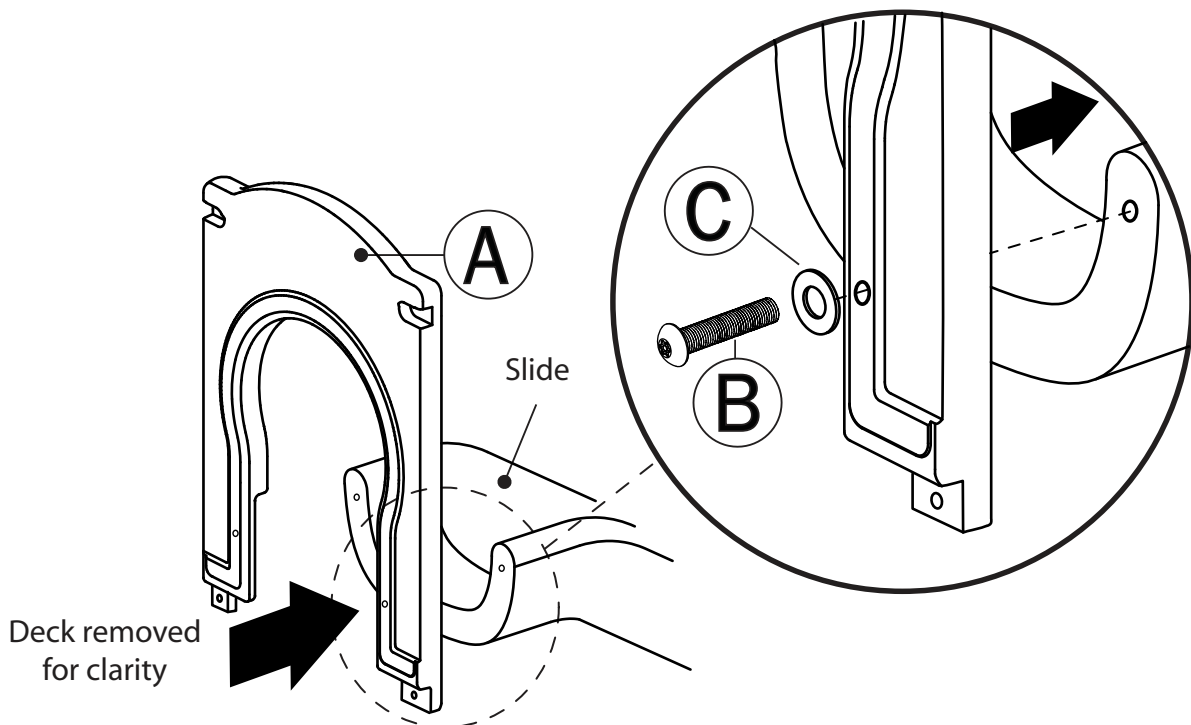
1. Align slots in Deck with holes in Slide(A).
2. From underside of Deck, insert Bolt(B), Lock Washer(C) and Flat Washer(D) into center slot in Deck and lightly tighten. See *Figure 1*.
3. Repeat steps 1 and 2 for the remaining (2) Bolts(B).
4. Tighten Bolts(B) securely

Parts List			
Letter	Description	Quantity	Part Number
A	6' Wave Slide	1	02-07-0028
	Hardware Complete	1	33-12-0040
B	M10 x 20 BHCS Bolt	3	33-11-0002
C	M10 Lock Washer	3	33-11-0201
D	M10 Flat Washer	3	33-11-0200



STEP 27 - ATTACH SLIDE HOOD TO 6' WAVE SLIDE

Parts List			
Letter	Description	Quantity	Part Number
A	Slide Hood	1	02-07-0025
	Hardware Complete	1	33-12-0041
B	M10 x 60 BHCS Bolt	2	33-11-0007
C	M10 Flat Washer	2	33-11-0200



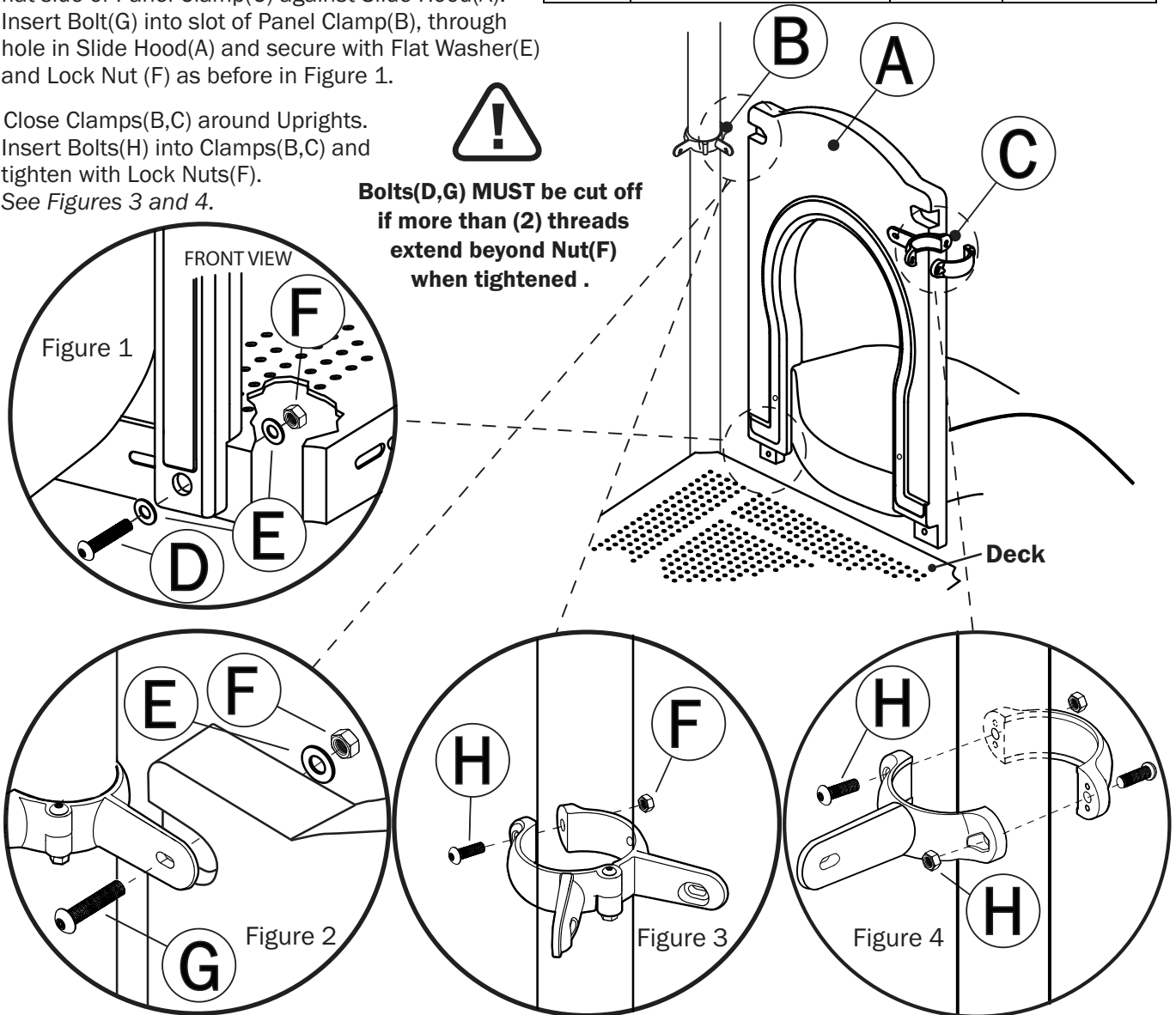
1. Align holes in Slide Hood(A) with (2) upper holes in back of Straight Slide.
2. Insert Bolt(B) and Flat Washer(C) into hole in Slide Hood(A) and lightly tighten to Straight Slide.
3. Repeat steps 1 and 2 for other side.
4. Tighten Bolts(B) securely.

STEP 28 - ATTACH SLIDE HOOD DECK AND UPRIGHTS

CONFIGURATION 1

1. From front side of Slide Hood(A), insert Bolt(D) and Flat Washer(E) into hood, through Deck and secure with Flat Washer(E) and Lock Nut(F). See *Figure 1*.
2. From back LEFT side of Slide Hood(A), place flat side of 90° Clamp(B) against Slide Hood(A). Insert Bolt(G) into slot of 90° Clamp(B), through hole in Slide Hood(A) and secure with Flat Washer(E) and Lock Nut (F). See *Figure 2*.
3. From back RIGHT side of Slide Hood(A), place flat side of Panel Clamp(C) against Slide Hood(A). Insert Bolt(G) into slot of Panel Clamp(C), through hole in Slide Hood(A) and secure with Flat Washer(E) and Lock Nut (F) as before in Figure 1.
4. Close Clamps(B,C) around Uprights. Insert Bolts(H) into Clamps(B,C) and tighten with Lock Nuts(F). See *Figures 3 and 4*.

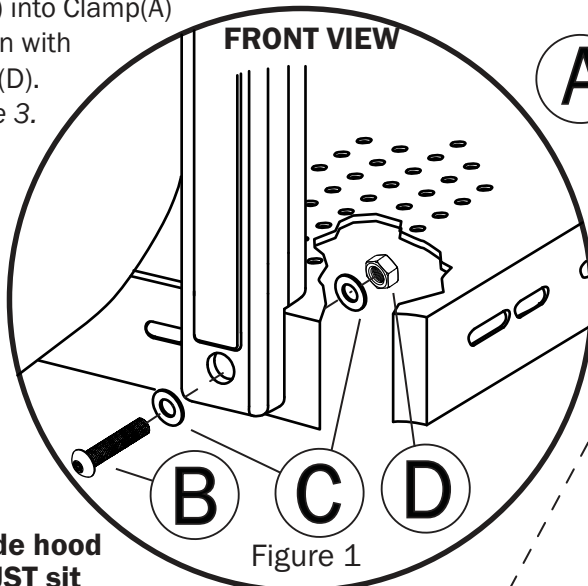
Parts List			
Letter	Description	Quantity	Part Number
A	Slide Hood	1	02-07-0025
B	90 Degree Clamp	1	02-07-0041
C	Panel Clamp	1	02-07-0040
	Hardware Complete	1	33-12-0041
D	M8 x 40 BHCS Bolt	2	33-11-0106
E	M8 Flat Washer	6	33-11-0300
F	M8 Lock Nut	7	33-11-0500
G	M8 x 45 BHCS Bolt	2	33-11-0109
H	M8 x 25 BHCS Bolt	3	33-11-0103



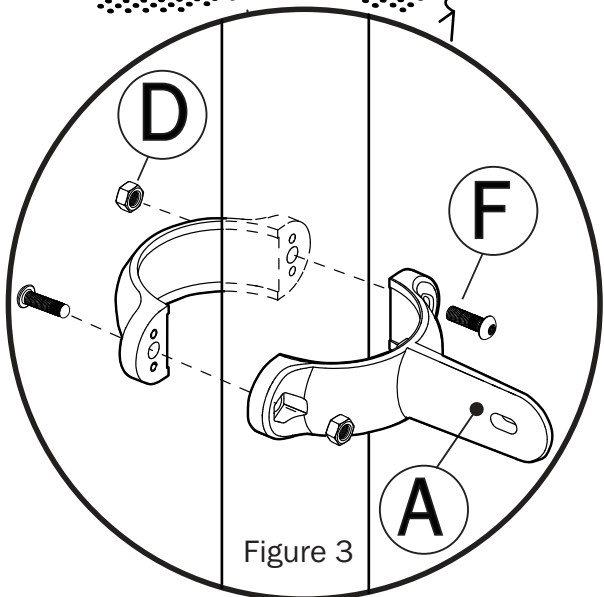
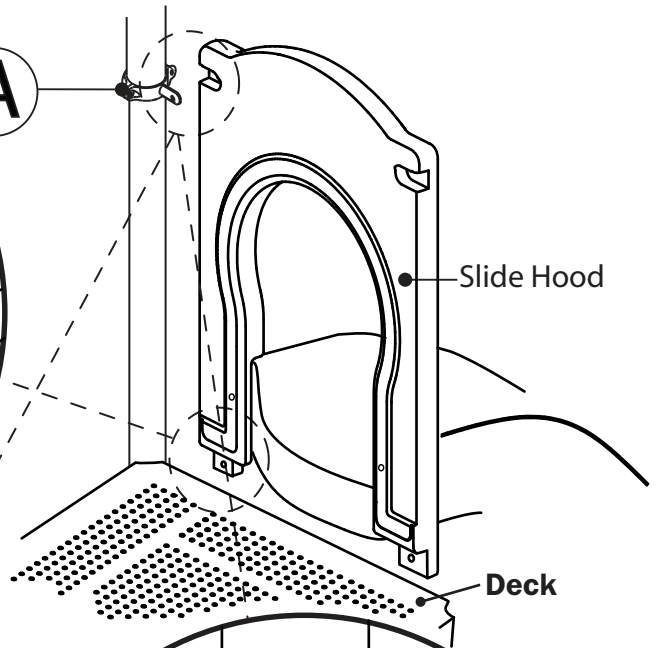
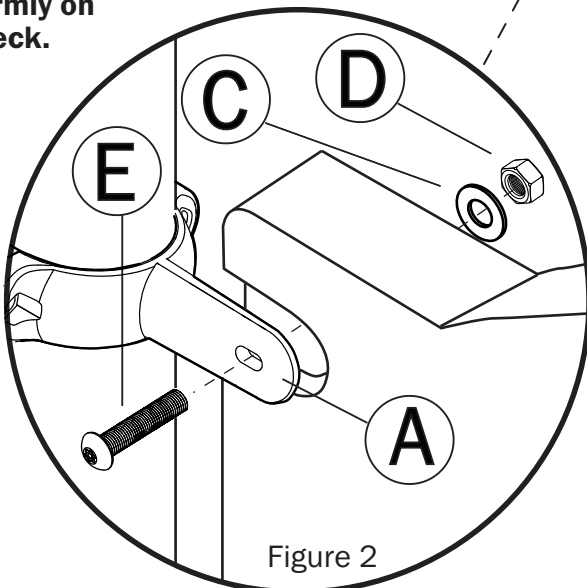
ATTACH SLIDE HOOD DECK AND UPRIGHTS- CONFIGURATION 2

1. From front side of Slide Hood, insert Bolt(B) and Flat Washer(C) into Slide Hood, through deck and secure with Flat Washer(C) and Lock Nut(D). See Figure 1.
2. From back side of Slide Hood, place flat side of Panel Clamp(A) against Slide Hood. Insert Bolt(E) into slot of Panel Clamp(A), through hole in Slide Hood and secure with Flat Washer(C) and Lock Nut(D). Repeat for other side. See Figure 2.
3. Close Panel Clamp(A) around upright. Insert (2)Bolts(F) into Clamp(A) and tighten with Lock Nuts(D). See Figure 3.

Parts List			
Letter	Description	Quantity	Part Number
A	Panel Clamp	2	02-07-0040
	Hardware Complete	1	33-12-0041
B	M8 x 40 BHCS Bolt	2	33-11-0106
C	M8 Flat Washer	6	33-11-0300
D	M8 Lock Nut	8	33-11-0500
E	M8 x 45 BHCS Bolt	2	33-11-0109
F	M8 x 25 BHCS Bolt	4	33-11-0103



! Slide hood **MUST** sit firmly on deck.



Bolt(E) MUST be cut off if more than (2) threads extend beyond Nut(D) when tightened.

STEP 29 - INSTALL WINDOW PANEL-CONFIGURATION 1

- Place Window Panel(A) against side of deck. Align bottom holes in Window Panel(A) with slots in Deck.
- From underside of Deck insert Bolt(C), Lock Washer(D) and Flat Washer(E) into slot in Deck and into threaded insert in Window Panel(A). Lightly tighten. Repeat for other side. See Figure 1.

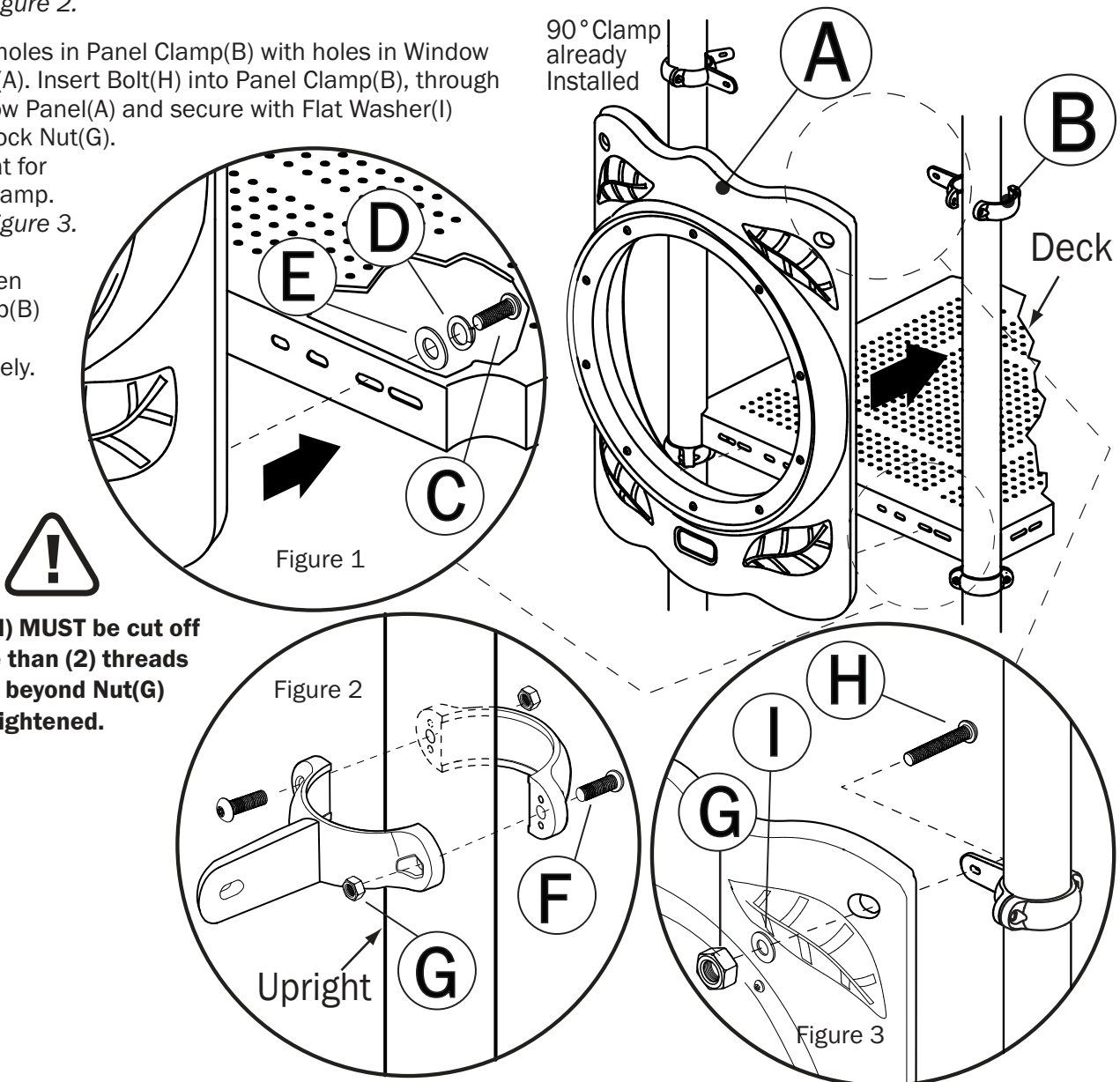
NOTE: Use (2) outside inserts only.

- Close Panel Clamp(B) around upright with arm pointing inward and flat side of arm facing toward Panel. Insert (2) Bolts(F) into Panel Clamp(B) and lightly tighten with Lock Nuts(G). See Figure 2.

- Align holes in Panel Clamp(B) with holes in Window Panel(A). Insert Bolt(H) into Panel Clamp(B), through Window Panel(A) and secure with Flat Washer(I) and Lock Nut(G). Repeat for 90° Clamp. See Figure 3.

- Tighten Clamp(B) bolts securely.

Parts List			
Letter	Description	Quantity	Part Number
A	Window Panel	1	02-07-0019
B	Panel Clamp	1	02-07-0040
	Hardware Complete	1	33-12-0034
C	M10 x 20 BHCS Bolt	2	33-11-0002
D	M10 Lock Washer	2	33-11-0201
E	M10 Flat Washer	2	33-11-0200
F	M8 x 25 BHCS Bolt	2	33-11-0103
G	M8 Lock Nut	4	33-11-0500
H	M8 x 70 BHCS Bolt	2	33-11-0107
I	M8 Flat Washer	2	33-11-0300



Bolts(H) MUST be cut off if more than (2) threads extend beyond Nut(G) when tightened.

INSTALL WINDOW PANEL-CONFIGURATION 2

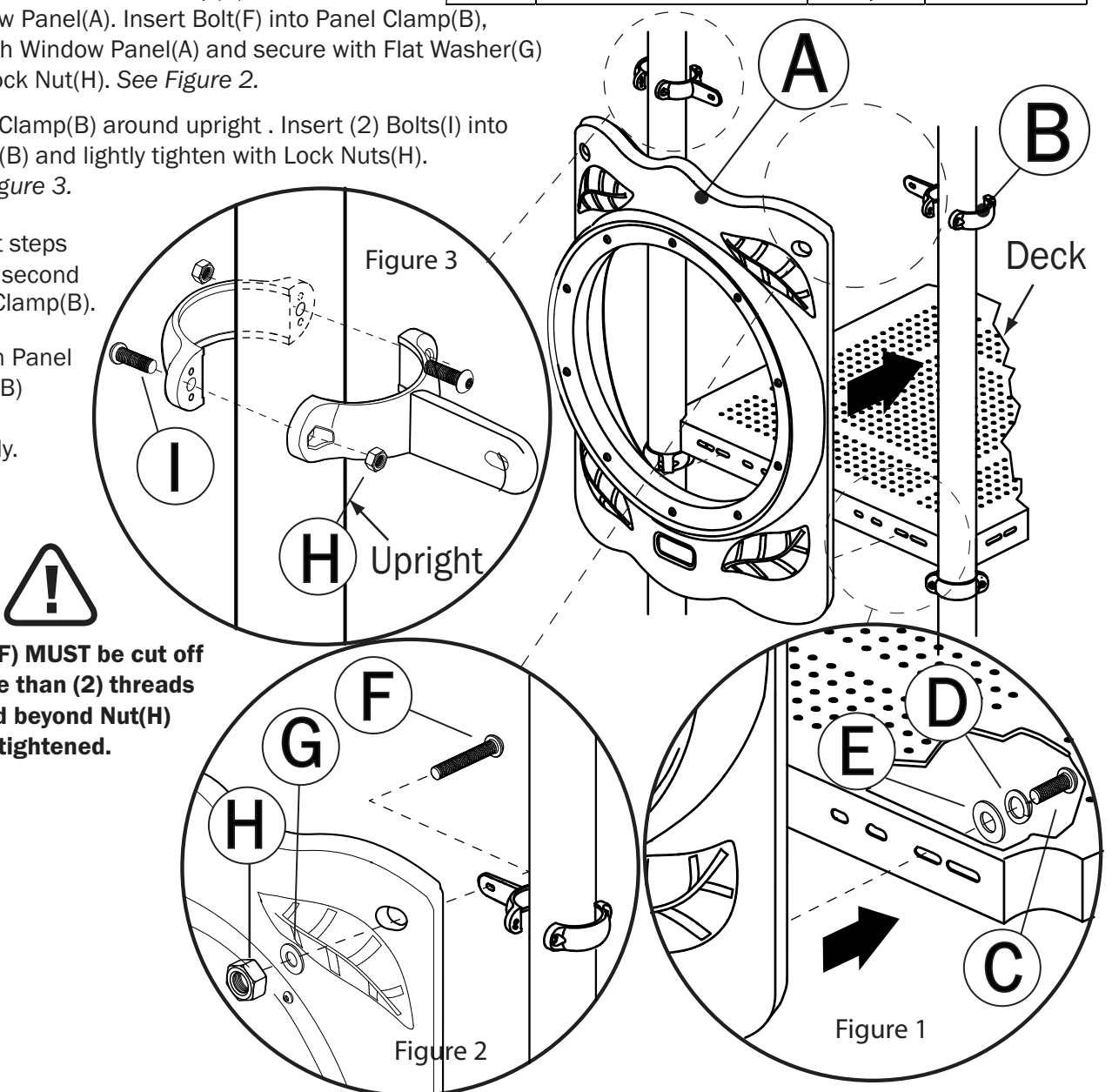
- Place Window Panel(A) against side of deck. Align bottom holes in Window Panel(A) with slots in Deck.
- From underside of deck insert Bolt(C), Lock Washer(D) and Flat Washer(E) into slot in Deck and into threaded insert in Window Panel(A). Lightly tighten. Repeat for other side. See Figure 1.

NOTE: Use (2) outside inserts only.

- With arm of Panel Clamp(B) pointing inward and flat side of arm facing toward Window Panel(A), align holes in Panel Clamp(B) with holes in Window Panel(A). Insert Bolt(F) into Panel Clamp(B), through Window Panel(A) and secure with Flat Washer(G) and Lock Nut(H). See Figure 2.
- Close Clamp(B) around upright . Insert (2) Bolts(I) into Clamp(B) and lightly tighten with Lock Nuts(H). See Figure 3.

- Repeat steps 3-4 for second Panel Clamp(B).
- Tighten Panel Clamp(B) bolts securely.

Parts List			
Letter	Description	Quantity	Part Number
A	Window Panel	1	02-07-0019
B	Panel Clamp	2	02-07-0040
	Hardware Complete	1	33-12-0034
C	M10 x 20 BHCS Bolt	2	33-11-0002
D	M10 Lock Washer	2	33-11-0201
E	M10 Flat Washer	2	33-11-0200
F	M8 x 70 BHCS Bolt	2	33-11-0107
G	M8 Flat Washer	2	33-11-0300
H	M8 Lock Nut	6	33-11-0500
I	M8 x 25 BHCS Bolt	4	33-11-0103



STEP 30 - INSTALL 6' RUNG CLIMBER



If you have purchased the optional HDPE Climber, skip this step and proceed to the HDPE Climber assembly instruction pages.

1. Choose appropriate hole in Footer(B) for your surfacing application.
2. Insert Footer(B) inside of Arch Climber(A) and align holes.
3. Insert Bolt(C) through larger hole in Arch Climber(A) into Footer(B) and through other side of Arch Climber(A) and secure with Lock Nut(D).
4. Repeat steps 1 through 3 for other Footer(B).

Parts List			
Letter	Description	Quantity	Part Number
A	6' Arch Climber	1	02-07-0030
B	1" Footer	2	02-07-0043
	Hardware Complete	1	33-12-0012
C	M10 x 35 BHCS Bolt	2	33-11-0005
D	M10 Lock Nut	4	33-11-0400
E	M10 x 20 BHCS Bolt	2	33-11-0002
F	M10 Flat Washer	2	33-11-0200



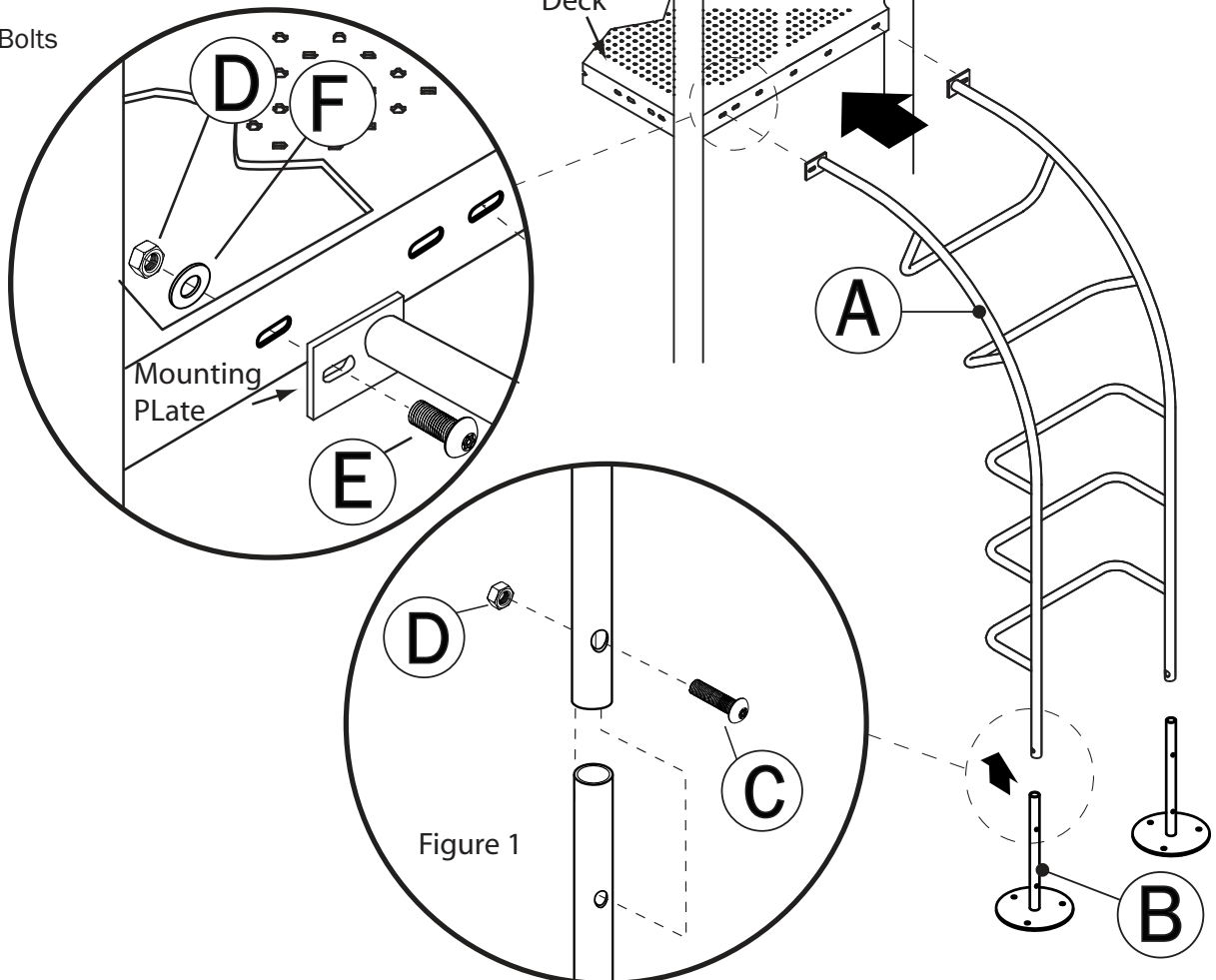
If installation requires concrete footer install In-Ground footers at this time.

5. Place Arch Climber(A) against Deck. Insert Bolt(E) into mounting plate of Arch Climber(A), into end slot of deck and secure with Flat Washer(F) and Lock Nut (D).



Insert all Bolts before tightening.

6. Tighten all Bolts



STEP 31 - INSTALL 6' RUNG CLIMBER ENTRY ARCHWAY

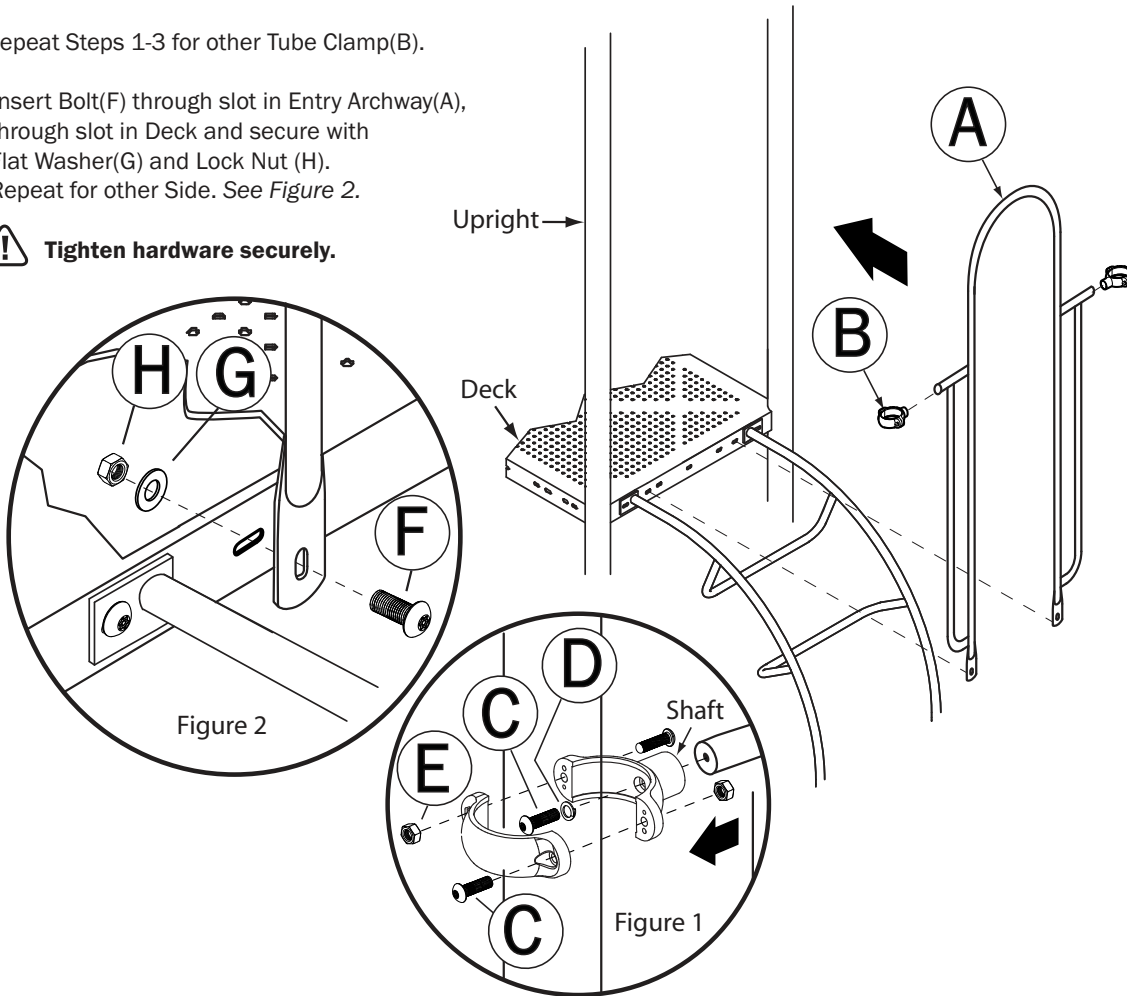
1. Insert shaft of Clamp(B) onto tube of Entry Archway(A) and secure with Bolt(C) and Lock Washer(D). See *Figure 1*.
2. Place Clamp(B) into position against Upright and enclose Upright with Clamp(B).
3. Align holes in Clamp(B), Insert Bolts(C) and secure with Lock Nut (E). See *Figure 1*.

! Lightly tighten bolts at this time for adjustability.

Parts List			
Letter	Description	Quantity	Part Number
A	Entry Archway	1	02-07-0031
B	Tube Clamp	2	02-07-0039
	Hardware Complete	1	33-12-0013
C	M8 x 25 BHCS Bolt	6	33-11-0103
D	M8 Lock Washer	2	33-11-0301
E	M8 Lock Nut	4	33-11-0500
F	M10 X 25 BHCS Bolt	2	33-11-0003
G	M10 Flat Washer	2	33-11-0200
H	M10 Lock Nut	2	33-11-0400

4. Repeat Steps 1-3 for other Tube Clamp(B).
5. Insert Bolt(F) through slot in Entry Archway(A), through slot in Deck and secure with Flat Washer(G) and Lock Nut (H). Repeat for other Side. See *Figure 2*.

! Tighten hardware securely.

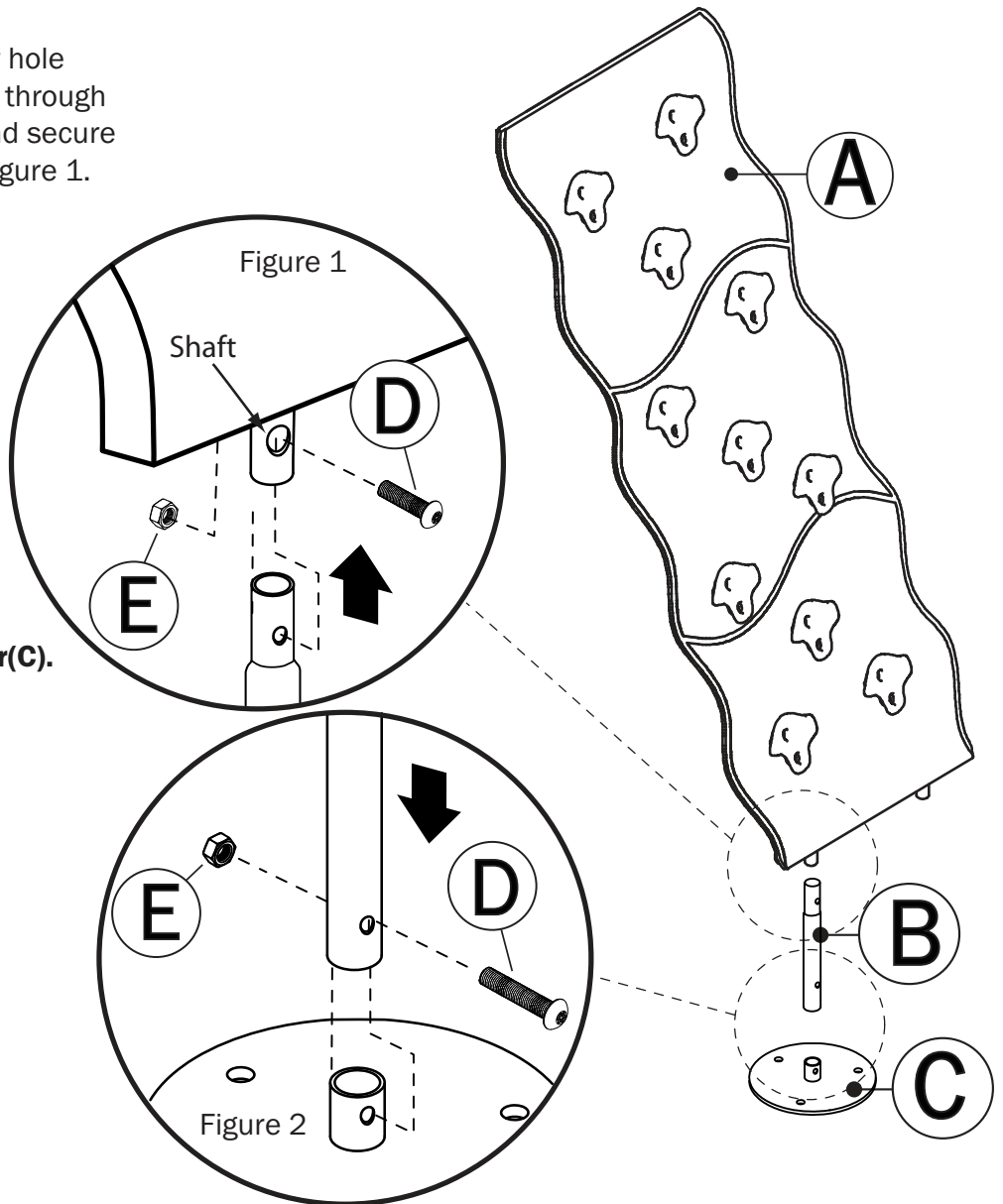


OPTIONAL HDPE CLIMBER INSTALLATION (Page 1 of 3)

1. Place Extension Tube(B) onto Footer Plate(C) and align holes. Insert Bolt(D) into larger hole of Extension Tube(B), through holes in Footer Plate(C) and secure with Lock Nut(E). See *Figure 2*.
2. Insert Extension Tube(B) into shaft of HDPE Climber(A).
3. Align holes in shaft with holes in Extension Tube(B).
4. Insert Bolt(D) through larger hole in shaft of HDPE Climber(A), through hole in Extension Tube(B) and secure with and Lock Nut(E). See *Figure 1*.
5. Repeat Steps 1 thru 4 for the remaining footer.
6. Tighten all Bolts.

Parts List			
Letter	Description	Quantity	Part Number
A	HDPE Climber	1	02-07-0029
B	Extension Tube	2	02-07-0044
C	Footer Plate	2	02-07-0046
	Hardware Complete	1	33-12-0011
D	M10 x 35 BHCS Bolt	4	33-12-0005
E	M10 Lock Nut	4	33-12-0400

! Illustration represents 12" EWF surfacing. If 2" Surfacing is used, eliminate Extension Tube(B) and bolt HDPE Climber directly to Footer(C).



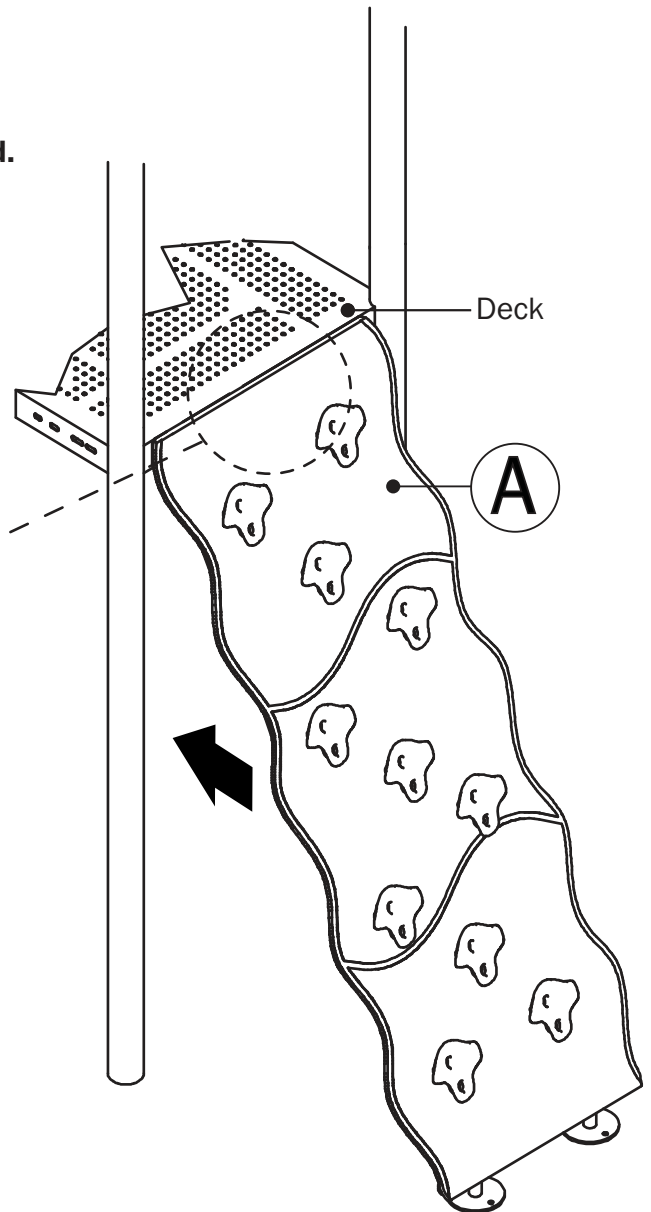
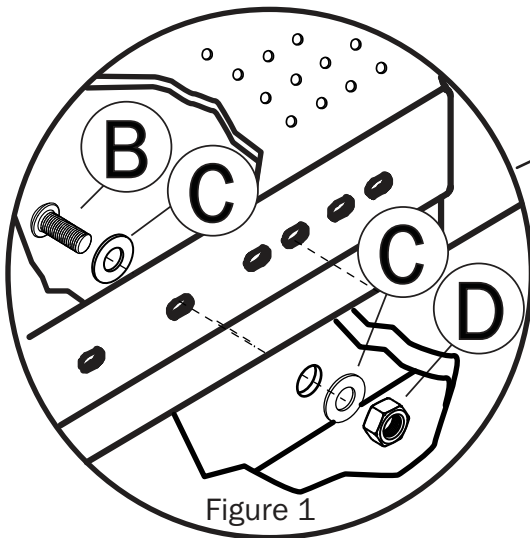
OPTIONAL HDPE CLIMBER INSTALLATION (Page 2 of 3)

1. Place HDPE Climber(A) against Deck.
2. Align Center hole in HDPE Climber(A) with center slot in Deck.
3. From underside of Deck, insert Bolt(B) and Flat Washer(C) into center slot of Deck, into center hole in HDPE Climber(A) and secure with Flat Washer(C) and Lock Nut(D). See Figure 1.

Parts List			
Letter	Description	Quantity	Part Number
A	HDPE Climber	1	02-07-0029
	Hardware Complete	1	33-12-0011
B	M10 x 25 BHCS Bolt	3	33-11-0003
C	M10 Flat Washer	6	33-11-0200
D	M10 Lock Nut	3	33-11-0400

⚠ Lightly tighten bolts until all bolts are installed.

4. Repeat Step 3 for the remaining (2) Bolts(B).
5. Tighten all Bolts.



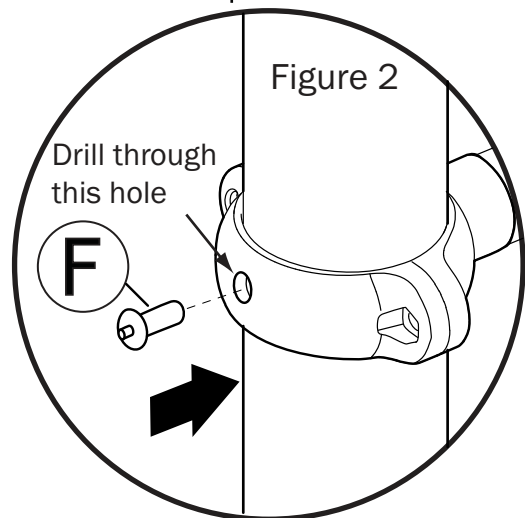
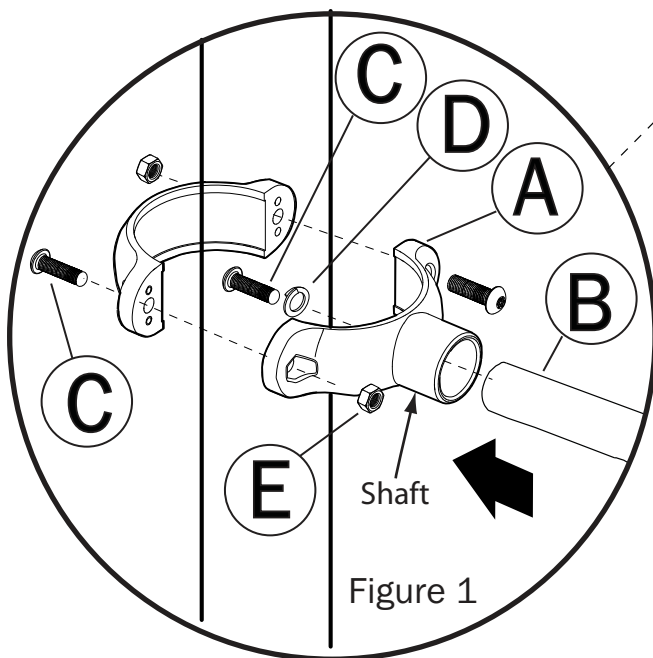
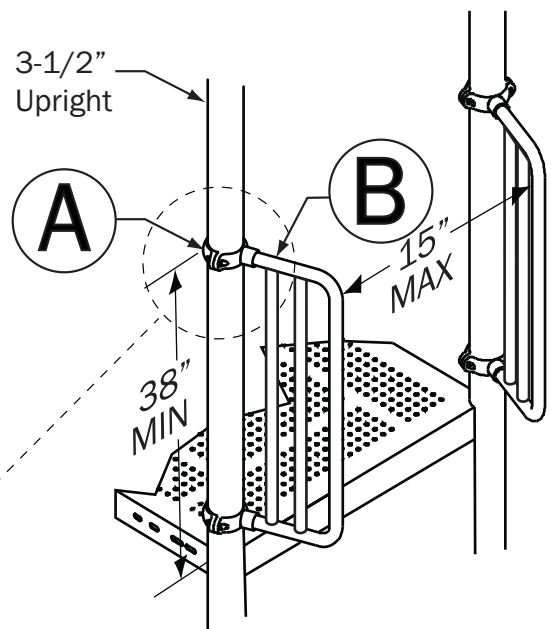
OPTIONAL HDPE CLIMBER INSTALLATION (Page 3 of 3)

1. Insert shaft of Tube Clamp(A) onto Grab Bar(B) and secure with Bolt(C) and Lock Washer(D).
See Figure 1.
2. Repeat for remaining (3) Tube Clamps(A).
3. Place Tube Clamp(A) into position against Upright and enclose Upright with Tube Clamp(A).
4. Align holes in Tube Clamp(A), Insert Bolt(C) and lightly secure with Lock Nut (E).

Parts List			
Letter	Description	Quantity	Part Number
A	Tube Clamp	4	02-07-0039
B	Grab Bar	2	02-07-0033
	Hardware Complete	1	33-12-0016
C	M8 x 25 BHCS Bolt	12	33-11-0103
D	M8 Lock Washer	4	33-11-0301
E	M8 Lock Nut	8	33-11-0500
F	Clamp Rivet	4	33-11-0700

⚠ The vertical position of the Grab Bars(B) must be at a minimum of 38" above the deck. The clamp position can be adjusted higher to avoid interference with other clamps

5. Repeat Steps 3 and 4 to attach other Grab Bar(B).
6. Level Grab Bars(B) with each other and rotate to an opening width of 15"(38mm) maximum as shown. Tighten hardware.
7. Drill 7mm (1/4") hole through Clamp(B) and into Upright. Insert Clamp Pin(F) into hole and tap into Tube Clamp(A) with hammer. See Figure 2.



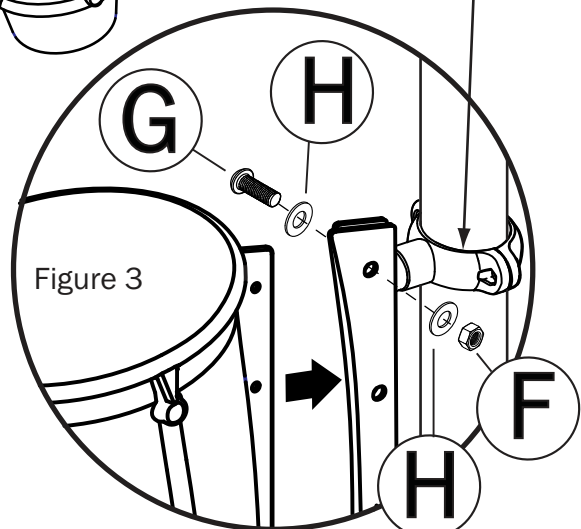
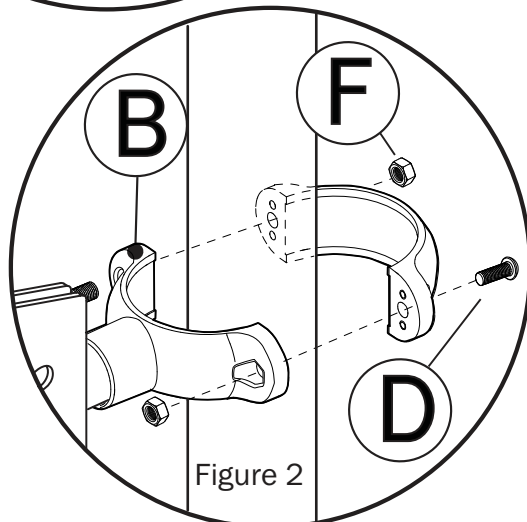
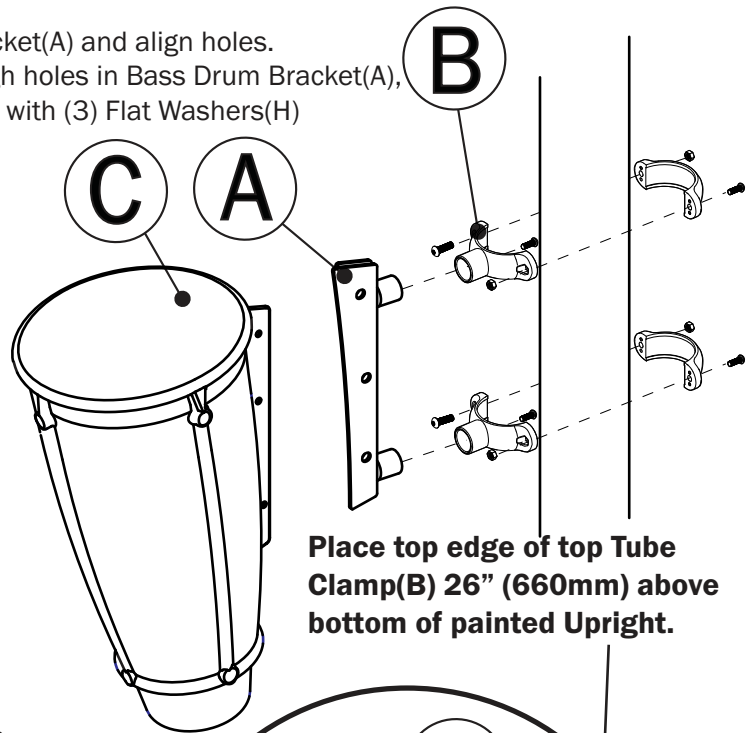
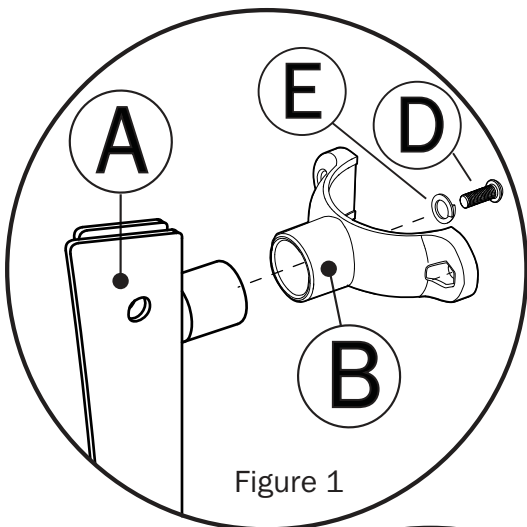
STEP 32 - ATTACH BASS DRUM TO UPRIGHT

1. Insert Bass Drum Bracket(A) into socket of Tube Clamp(B) and secure with Bolt(D) and Lock Washer(E). See Figure 1.
2. Repeat for second Tube Clamp(B).
3. Close Tube Clamp(B) around upright and insert (2) Bolts(D) into Tube Clamp(B) and tighten with (2) Lock Nuts(F). See Figure 2.

Parts List			
Letter	Description	Quantity	Part Number
A	Bass Drum Bracket	1	02-07-0091
B	Tube Clamp	2	02-07-0039
C	Bass Drum	1	02-07-0013
	Hardware Complete	1	33-12-0021
D	M8 x 25 BHCS Bolt	6	33-11-0103
E	M8 Lock Washer	2	33-11-0301
F	M8 Lock Nut	7	33-11-0500
G	M8 x 20 BHCS Bolt	3	33-11-0102
H	M8 Flat Washer	6	33-11-0300

! Place top edge of top Tube Clamp(B) 26" (660mm) from bottom of Painted Upright.

4. Insert Bass Drum(C) into slot in Bass Drum Bracket(A) and align holes. Insert (3)Bolts(G) and (3)Flat Washers(H) through holes in Bass Drum Bracket(A), into holes of flange of Bass Drum(C) and secure with (3) Flat Washers(H) and (3)Lock Nuts(F). See Figure 3.



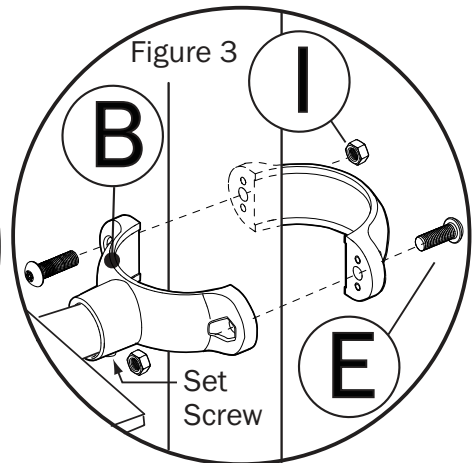
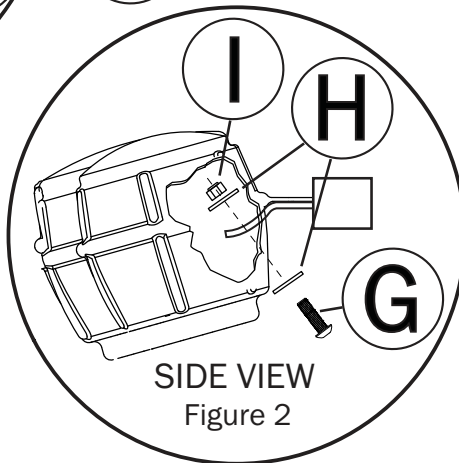
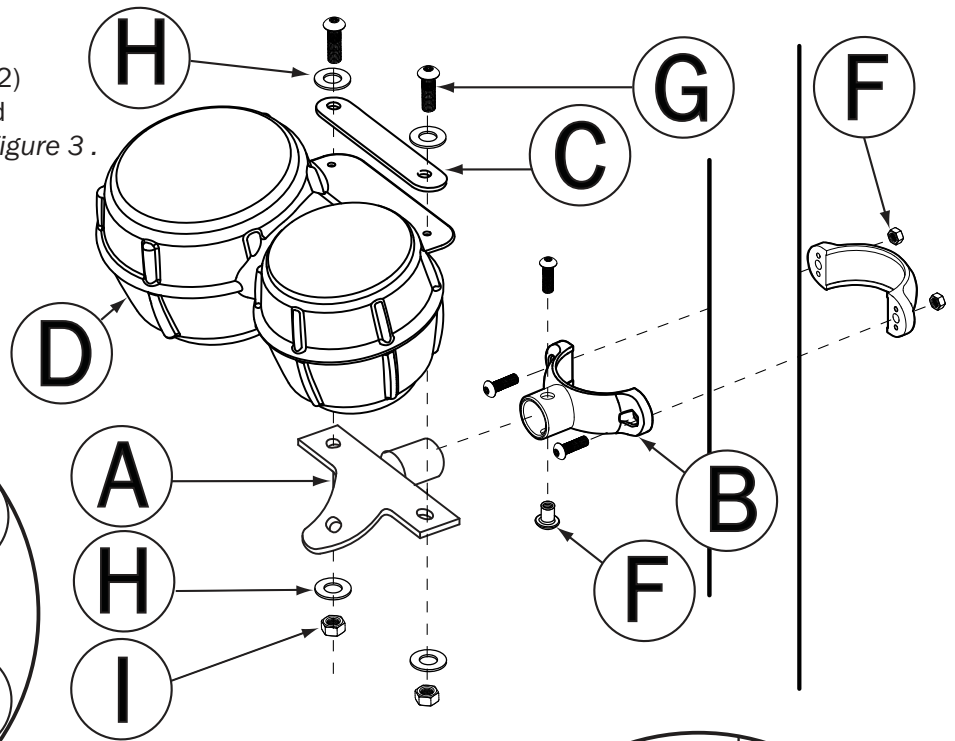
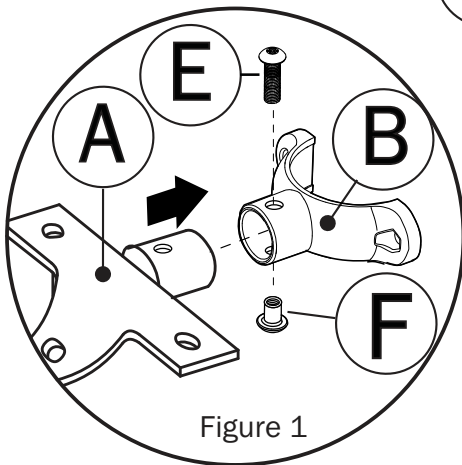
STEP 33 - ATTACH BONGO DRUM TO UPRIGHT

1. Insert Bongos Bracket(A) into socket of Bongos Clamp(B) and secure with Bolt(E) and Barrel Nut(F). See *Figure 1*.
2. Insert (2) Bolts(G) and (2) Flat Washers(H) into holes in Mounting Bar(C), through holes in flange of Bongos(D), through holes in Bongos Bracket(A) and secure with (2) Flat Washers(H) and (2) Lock Nuts(I).
3. From underside of Bongos(D), insert Bolt(G) through Bongos Bracket(A), into hole in Bongos(D) and secure from inside of Bongos(D) with Flat Washer(H) and Lock Nut(I). See *Figure 2*.

Parts List			
Letter	Description	Quantity	Part Number
A	Bongos Bracket	1	02-07-0092
B	Bongos Tube Clamp	1	02-07-0056
C	Mounting Bar	1	02-07-0093
D	Bongos	1	02-07-0014
	Hardware Complete	1	33-12-0020
E	M8 x 25 BHCS Bolt	3	33-11-0103
F	M8 Barrel Nut	1	33-11-0501
G	M8 x 20 BHCS Bolt	3	33-11-0102
H	M8 Flat Washer	6	33-11-0300
I	M8 Lock Nut	5	33-11-0500

4. Place Bongos Clamp(B) against upright and hold together. Insert (2) Bolts(E) into Bongos Clamp(B) and tighten with (2) Lock Nuts(I). See *Figure 3*.

! Place top edge of Bongos Clamp(B) 28" (711mm) from bottom of painted Upright.



STEP 34 - ATTACH RAIN WHEEL TO UPRIGHT

- Using hammer, insert Metal Bushing(C) into center hole of Rain Wheel(D) from back side.

! Leave approximately 1/8" of Metal Bushing(C) exposed from backside of Rain Wheel(D).

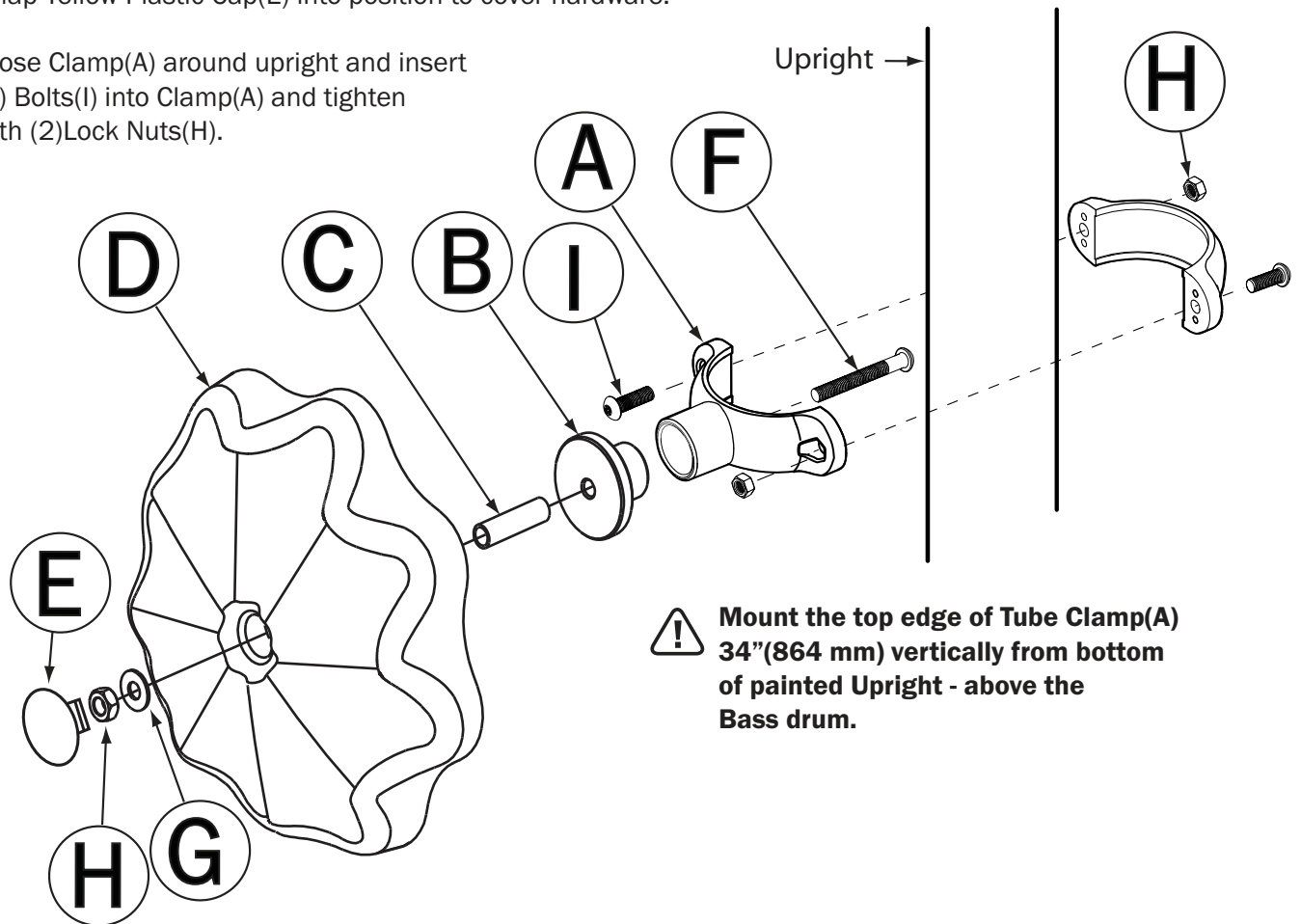
- Insert Bolt(F) into socket of Tube Clamp(A), through Plastic Insert(B), through Metal Bushing(C) and into Rain Wheel(D).

- Secure with Flat Washer(G) and Lock Nut (H).

- Snap Yellow Plastic Cap(E) into position to cover hardware.

- Close Clamp(A) around upright and insert (2) Bolts(I) into Clamp(A) and tighten with (2) Lock Nuts(H).

Parts List			
Letter	Description	Quantity	Part Number
A	Tube Clamp	1	02-07-0039
B	Plastic Insert	1	02-07-0094
C	Metal Bushing	1	02-07-0095
D	Rain Wheel	1	02-07-0012
E	Yellow Plastic Cap	1	02-07-0088
	Hardware Complete	1	33-12-0035
F	M8 x 90 BHCS Bolt	1	33-11-0108
G	M8 Flat Washer	1	33-11-0300
H	M8 Lock Nut	3	33-11-0500
I	M8 x 25 BHCS Bolt	2	33-11-0103



STEP 35 - ATTACH (3)ROOFS TO UPRIGHTS

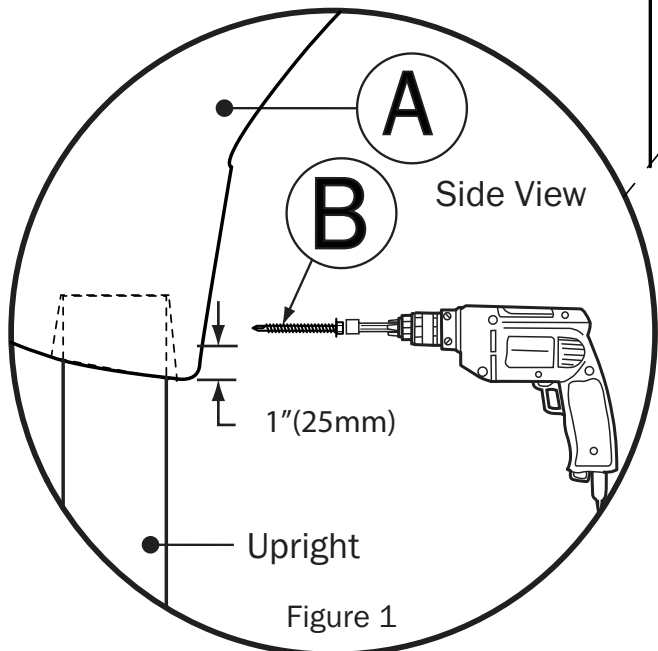
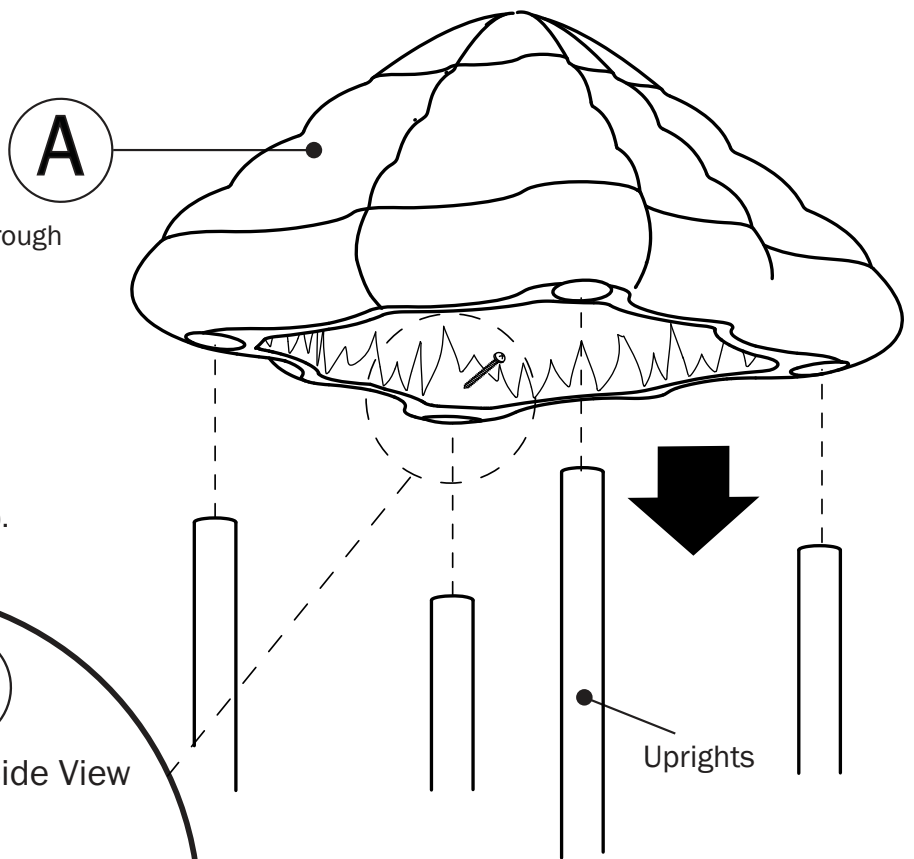
Parts List			
Letter	Description	Quantity	Part Number
A	Roof	1	02-07-0037
	Hardware Complete	1	33-12-0036
B	M5 x 3"(75mm) Self-tapping Screw	4	33-11-0600

1. Lower Roof(A) onto Uprights.

2. Centered horizontally with Upright, measure 1"(25mm) up from bottom of Roof(A) and drill 1/8" pilot hole through Roof and into Upright. See Figure 1.

3. Secure Roof(A) to Uprights with (4) Self-tapping Screws(B). See Figure 1.

4. Repeat Steps 2 and 3 for remaining (3) Self-tapping Screws(B).



STEP 35 - INSTALL CLAMP RIVETS

IMPORTANT:

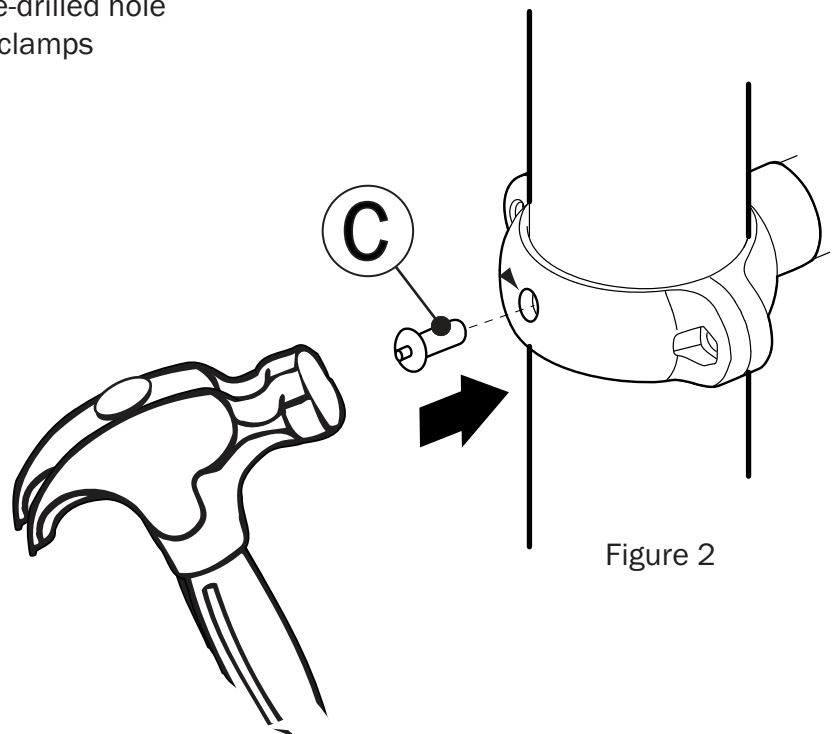
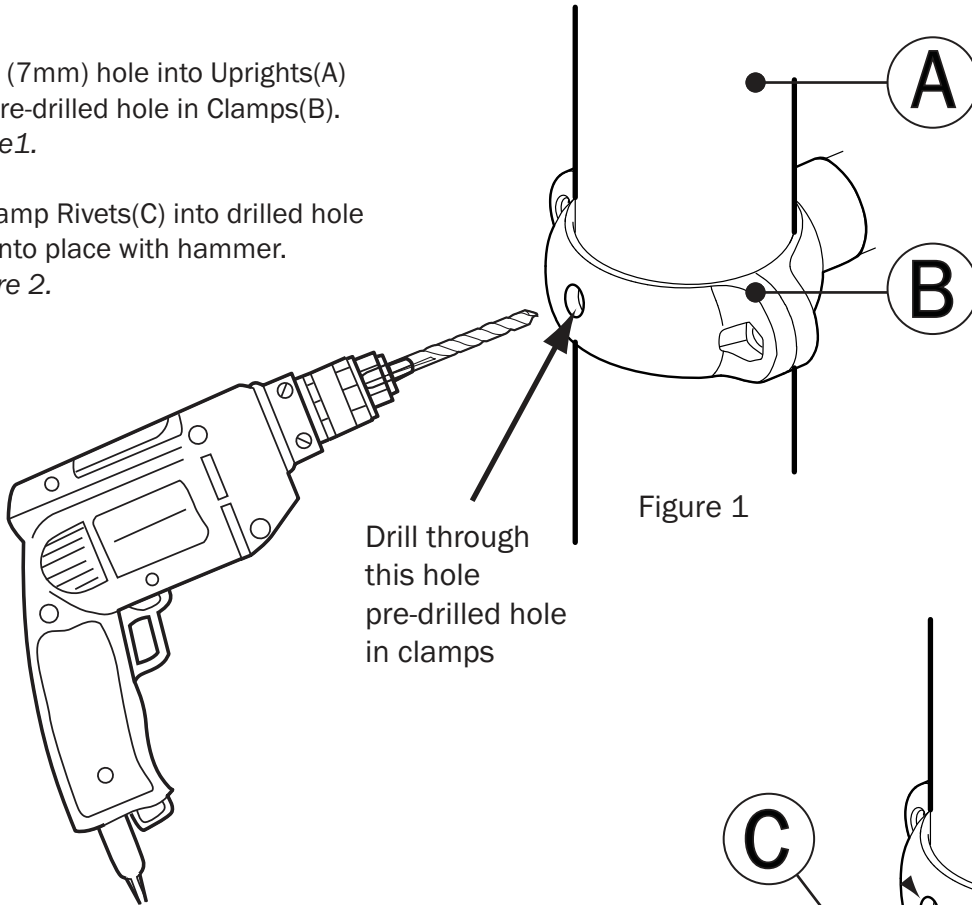
Once assembly is complete, plumb and level structure and tighten all fasteners securely.

Install Clamp Rivets(C) in all clamps to ensure clamps cannot move out of proper position.

Parts List			
Letter	Description	Quantity	Part Number
A	Uprights		02-07-0001(02)
B	Clamps		All
C	Clamp Rivets		33-11-0700

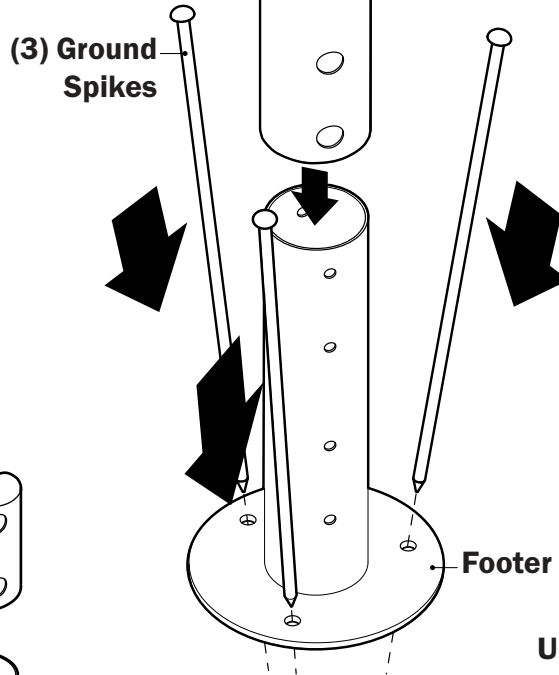
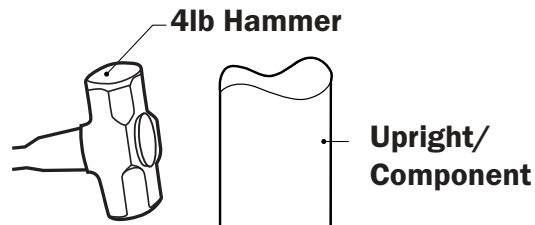
1. Drill 1/4" (7mm) hole into Uprights(A) through pre-drilled hole in Clamps(B). See Figure 1.

2. Insert Clamp Rivets(C) into drilled hole and tap into place with hammer. See Figure 2.

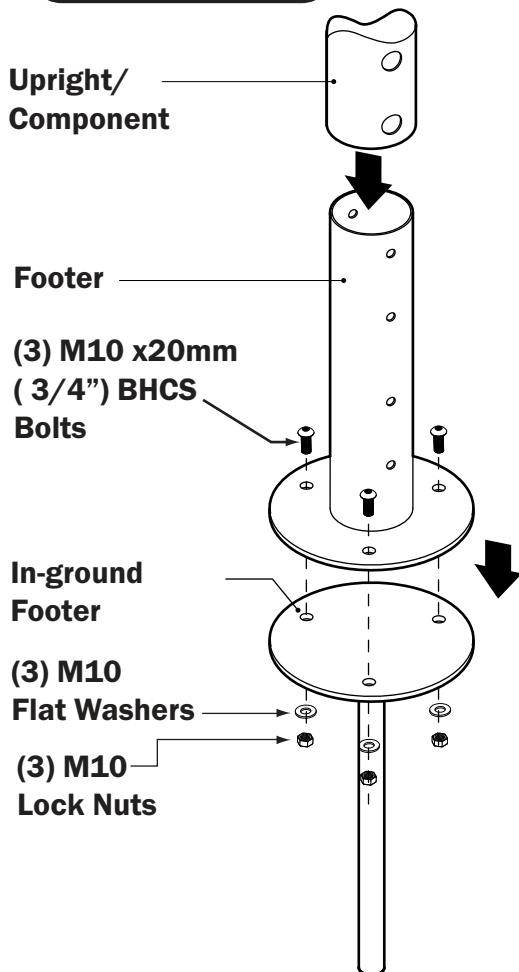


STEP 36 - MOUNTING OPTIONS

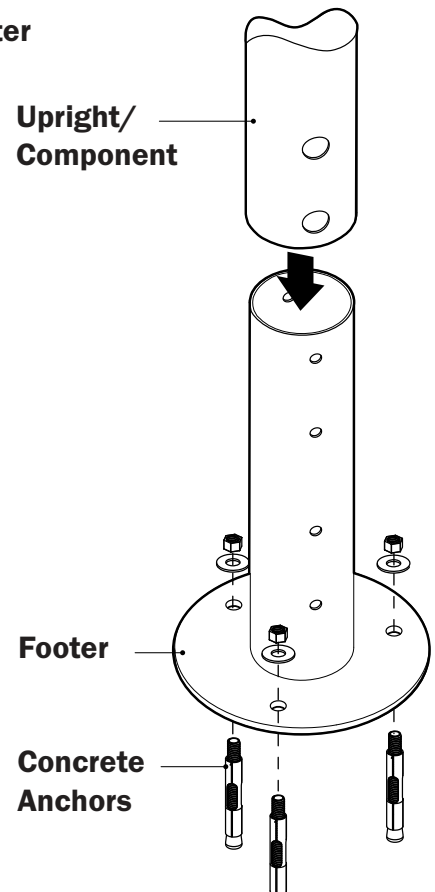
GROUND SPIKES



CONCRETE FOOTERS

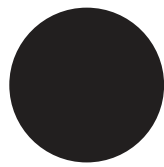


CONCRETE ANCHORS



NOTE:
illustration
depicts 3-1/2"
(89mm)
diameter
upright post.

Installation of
1-1/4"(32mm)
rails/posts and
footer is identical.



Placement for 12" Diameter x 18" Deep Holes for In-ground installation

NOTE: Before beginning, review Use Zone requirements on page 17 for playground placement.

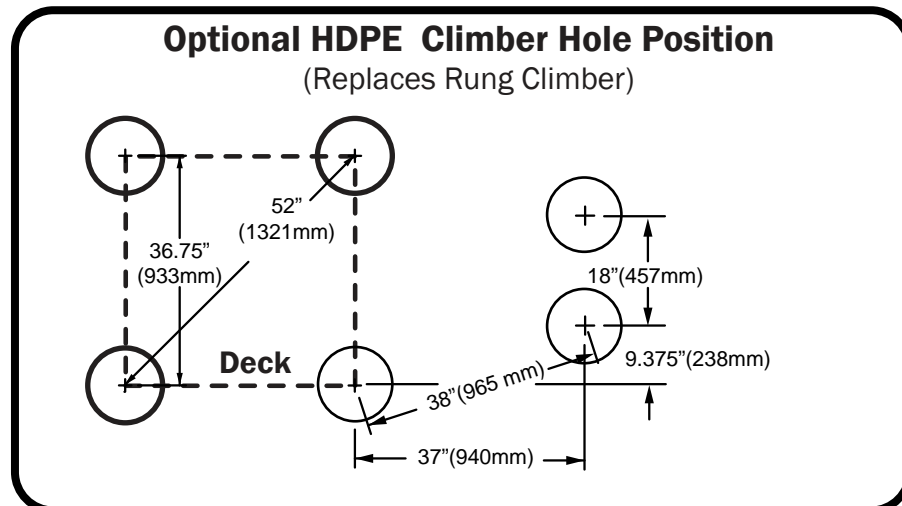
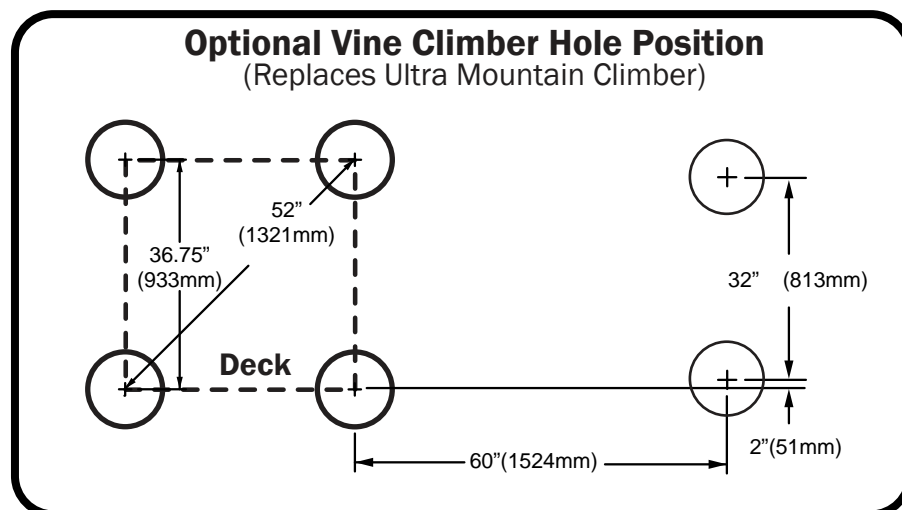
1. After reviewing the Use Zone page, begin by marking the placement of one Deck Post. Any of the (4) may be used.

NOTE: Survey flags may be used to mark the placement of each hole.

2. Measure from first Deck Post to mark the position of the remaining (3) posts. Check for squareness using the 52" diagonal dimension.

NOTE: All remaining dimensions are based off of the Deck Post placement.

3. Measure from the center of a Deck Post using the (3) dimensions provided for each remaining hole.



IMPORTANT: Never install play equipment over hard, unresilient surfaces such as asphalt, concrete or compacted earth. It is the owner's responsibility to ensure the "minimum area required" contains an appropriate amount of resilient material to cushion accidental falls.

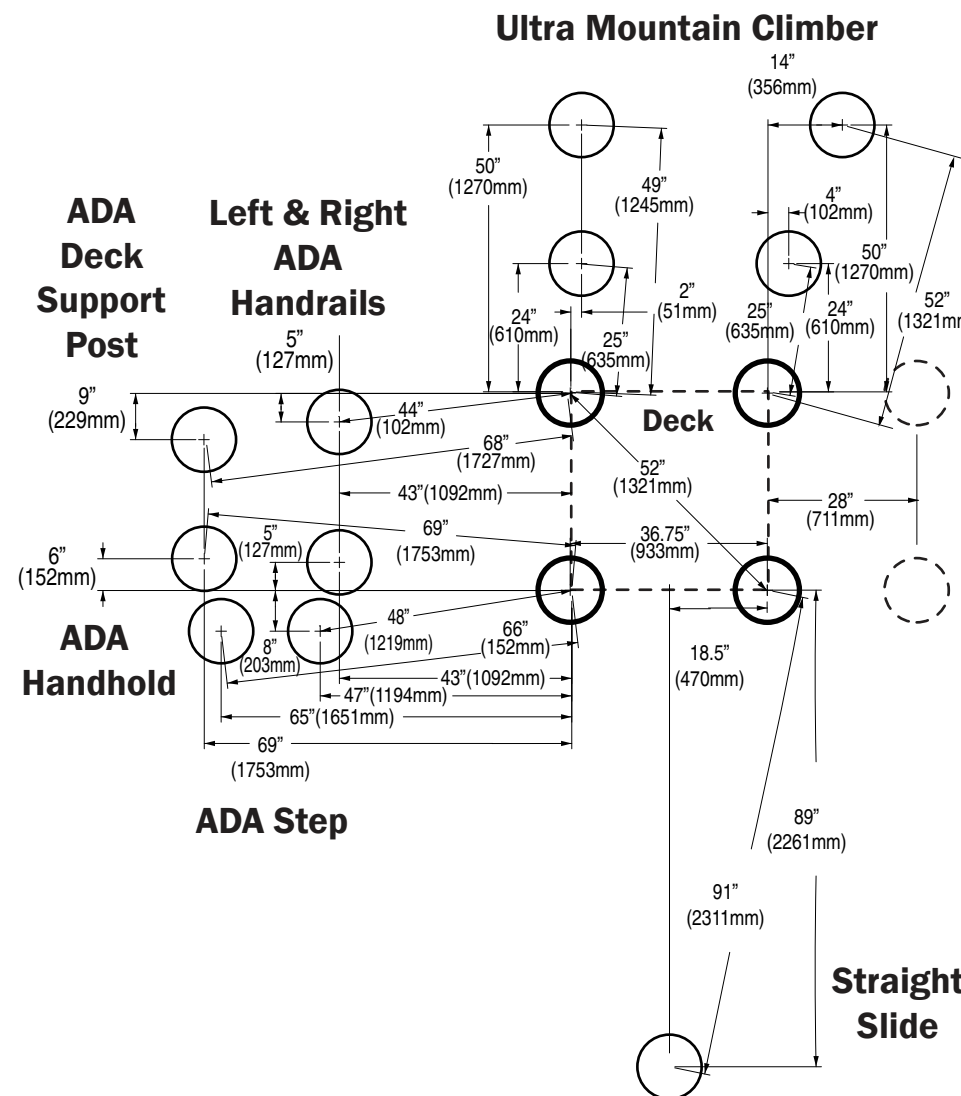
Concrete Required (if applicable):
Approx. 1 Cubic Yard (.75 Cubic Meters)



DO NOT pour concrete until the entire structure has been assembled!

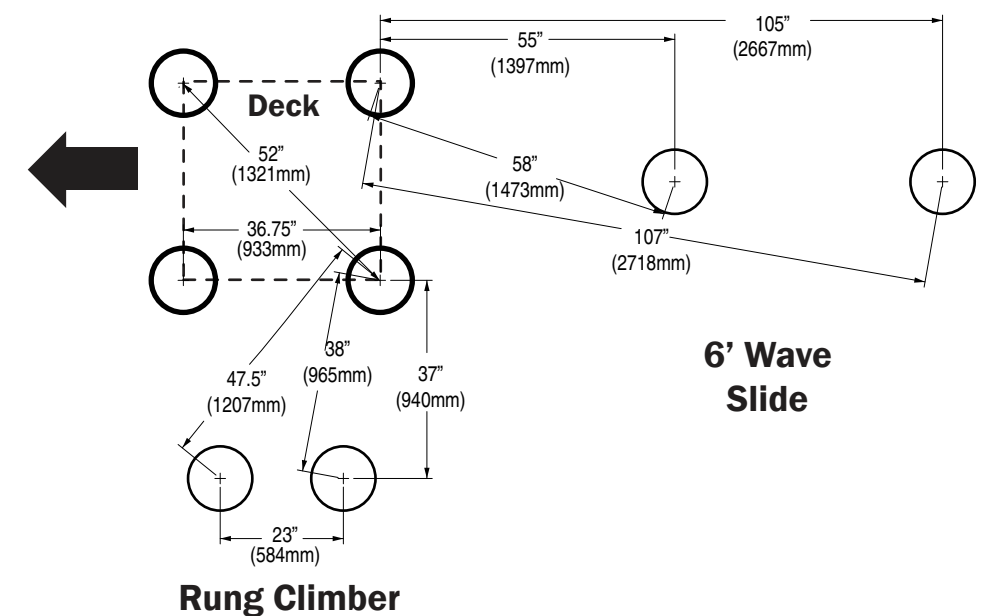
CONFIGURATION 1

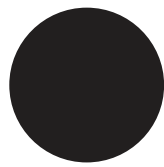
TOP VIEW



NOTE:
Tower Section moved out for clarity.

TOWER SECTION





Placement for 12" Diameter x 18" Deep Holes for In-ground installation

NOTE: Before beginning, review Use Zone requirements on page 18 for playground placement.

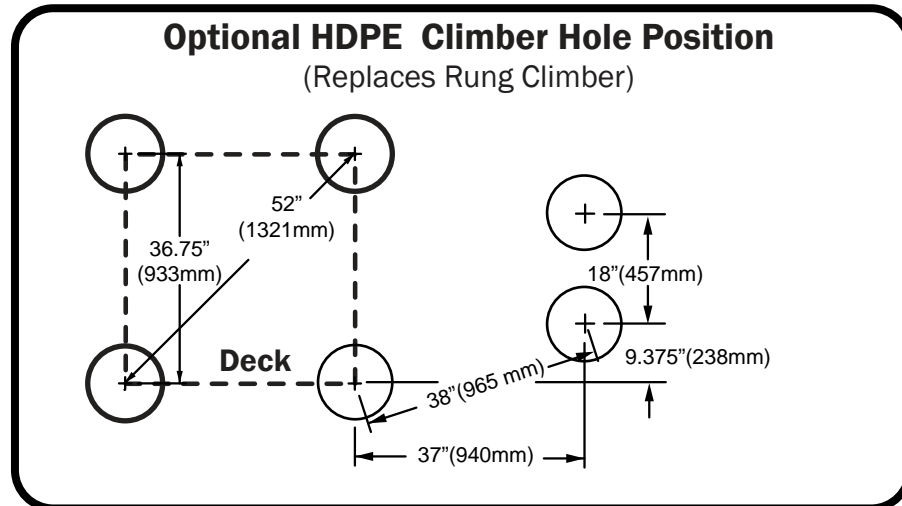
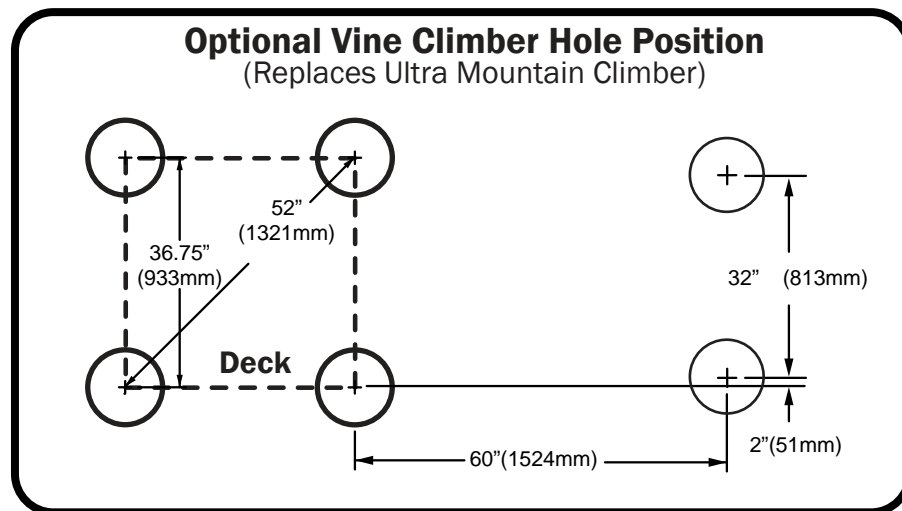
1. After reviewing the Use Zone page, begin by marking the placement of one Deck Post. Any of the (4) may be used.

NOTE: Survey flags may be used to mark the placement of each hole.

2. Measure from first Deck Post to mark the position of the remaining (3) posts. Check for squareness using the 52" diagonal dimension.

NOTE: All remaining dimensions are based off of the Deck Post placement.

3. Measure from the center of a Deck Post using the (3) dimensions provided for each remaining hole.



IMPORTANT: Never install play equipment over hard, unresilient surfaces such as asphalt, concrete or compacted earth. It is the owner's responsibility to ensure the "minimum area required" contains an appropriate amount of resilient material to cushion accidental falls.

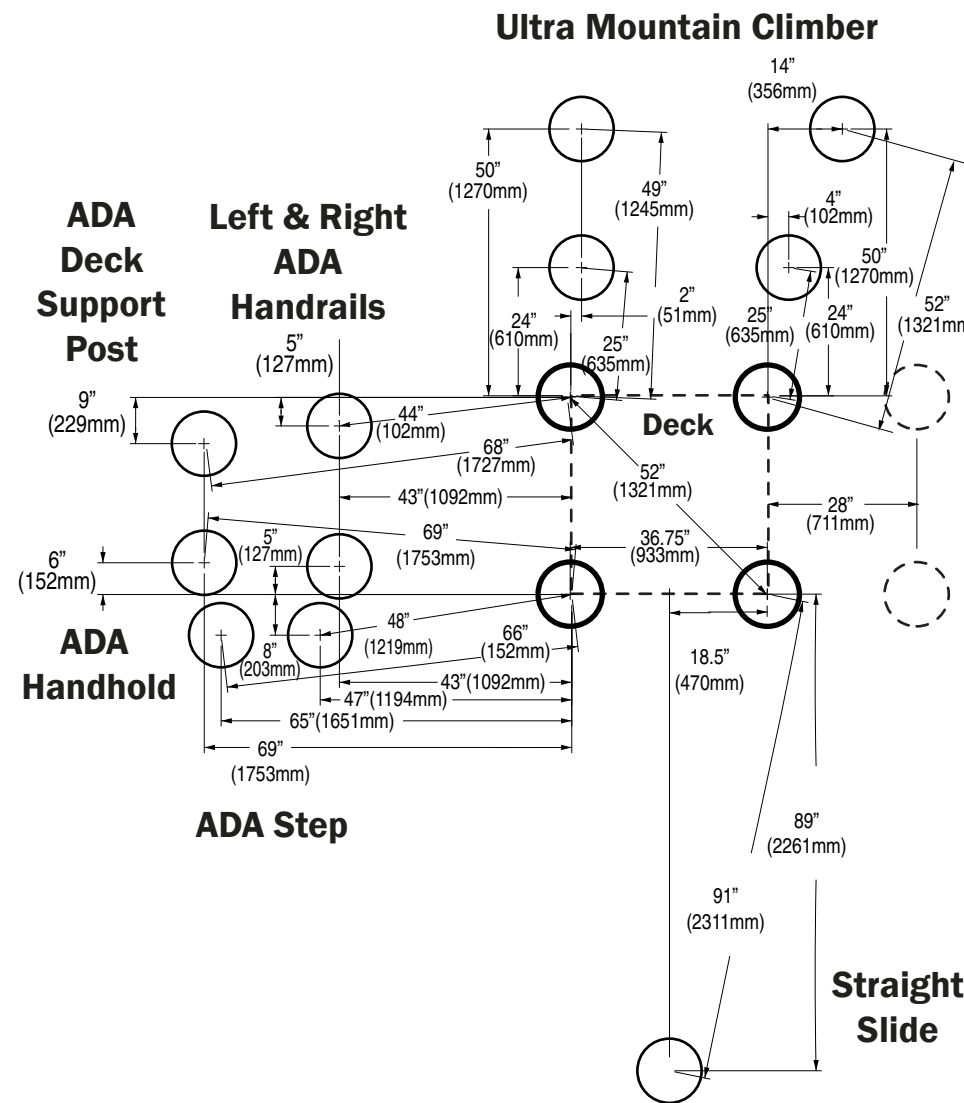
Concrete Required (if applicable):
Approx. 1 Cubic Yard (.75 Cubic Meters)



DO NOT pour concrete until the entire structure has been assembled!

CONFIGURATION 2

TOP VIEW



NOTE:
Tower Section moved out for clarity.

TOWER SECTION

