

# TERRA BOUND SOLUTIONS

20020 Hickory Twig Way • Spring, Texas 77388

Phone: 1-877-857-2915 • Fax: 281-288-2870

Email: [contact@terraboundsolutions.com](mailto:contact@terraboundsolutions.com)

Web: [www.terraboundsolutions.com](http://www.terraboundsolutions.com)

## Recommended Crew:

Minimum 2 People

## Tools Required for Assembly:

T-30 TORX Bit

3/16" x 6" Drill Bit

Post Hole Digger / Shovel / Auger

Tape Measure

Level

High Speed 3/8" electric drill w/ clutch

## Installation Time:

20 to 30 minutes

## Concrete Required:

1.8 cu ft. per post

Note: Concrete must have a minimum rating of 2,500 psi and must be mixed per manufacturers recommendation.

This space intentionally left blank.

Standard Hardware

5/16" x 5"  
RSS Stainless

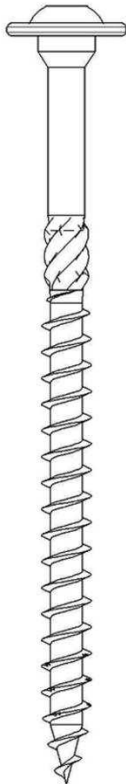
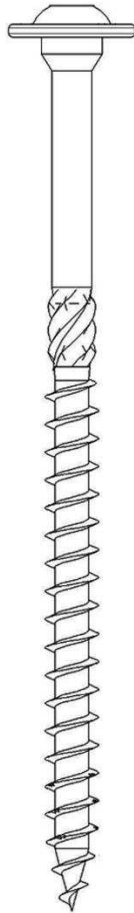
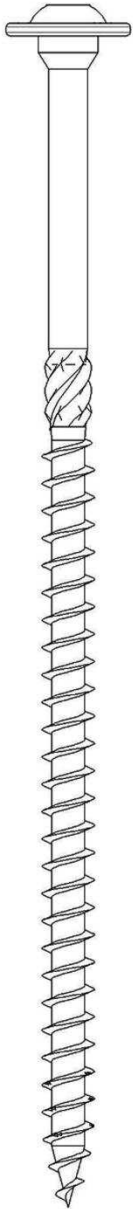
5/16" x 4"  
RSS Stainless

5/16" x 3-1/8"  
RSS Stainless

5/16" x 2-1/2"  
RSS Stainless

1/4" x 2-1/2"  
RSS Stainless

#10 x 2-1/2"  
R4 Stainless



**NOT TO SCALE!**

## Pre-Installation Check

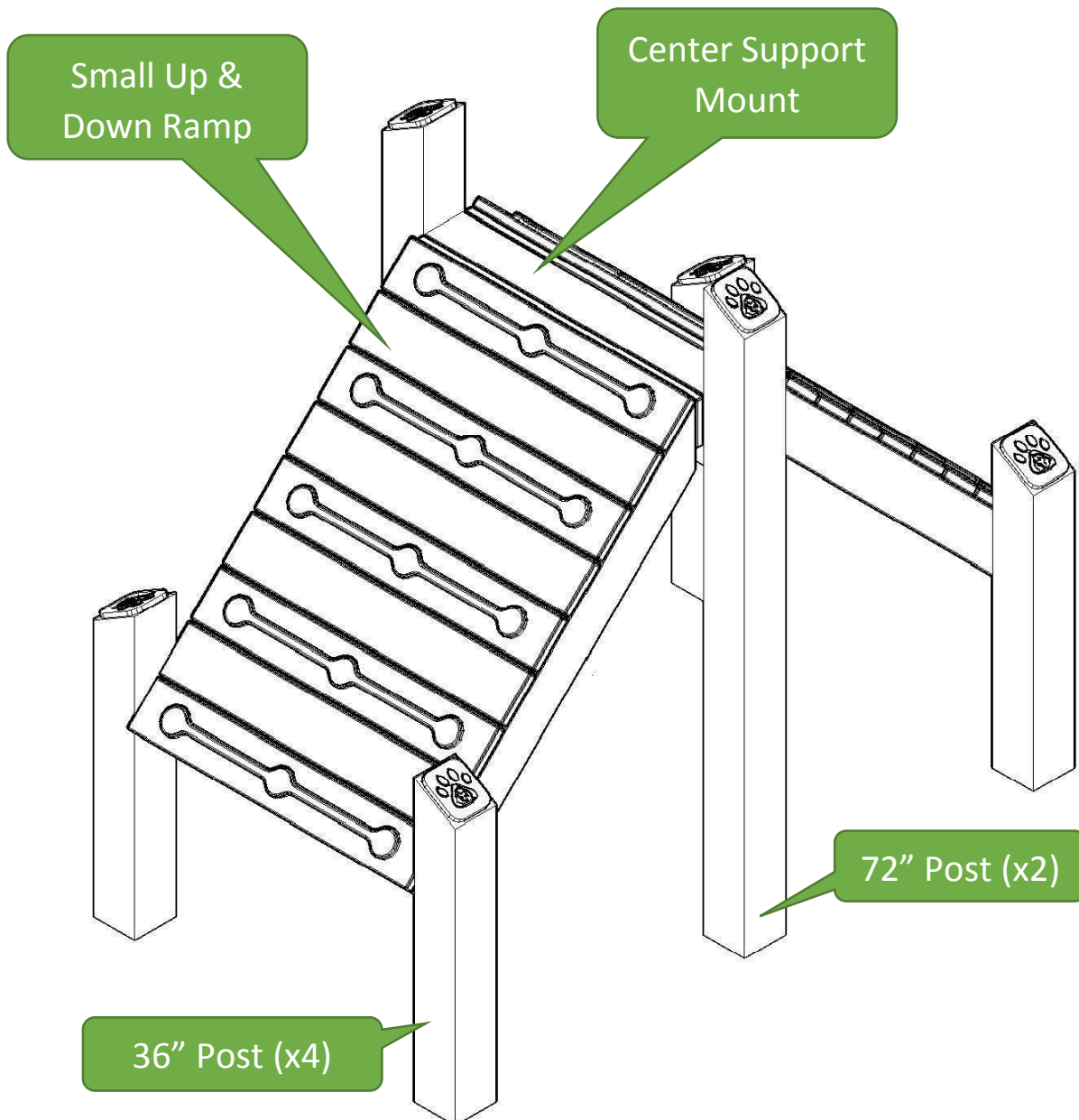
Check off all items received, against the packing list. Notify your local sales representative immediately of any items that are missing or that may be damaged.

**TERRABOUND SOLUTIONS IS NOT RESPONSIBLE  
FOR ITEMS DISCOVERED MISSING  
AFTER 72 HOURS FROM TIME OF  
DELIVERY.**

**PRE-DRILLING IS REQUIRED. ALL LOCATIONS WHERE  
HARDWARE IS TO BE FASTENED REQUIRES PRE-  
DRILLING TO ENSURE PROPER INSTALLATION AND  
STRUCTURAL INTEGRITY. WE ARE NOT RESPONSIBLE  
FOR INSTALLATION OR STRUCTURAL ISSUES THAT  
ARISE FROM NOT PRE-DRILLING ATTACHMENTS.**

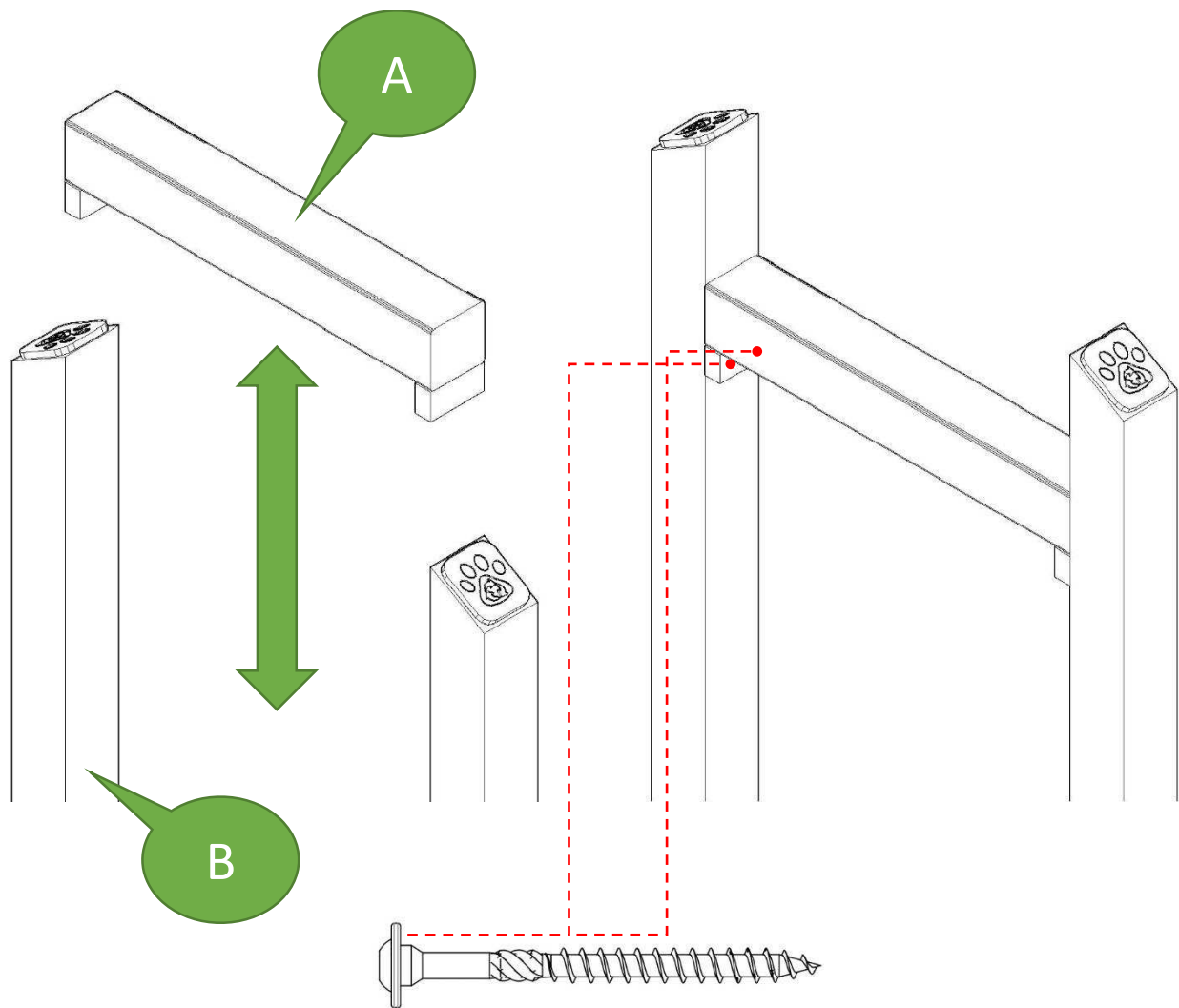
This space intentionally left blank.

Small Up & Down Ramp Assembly

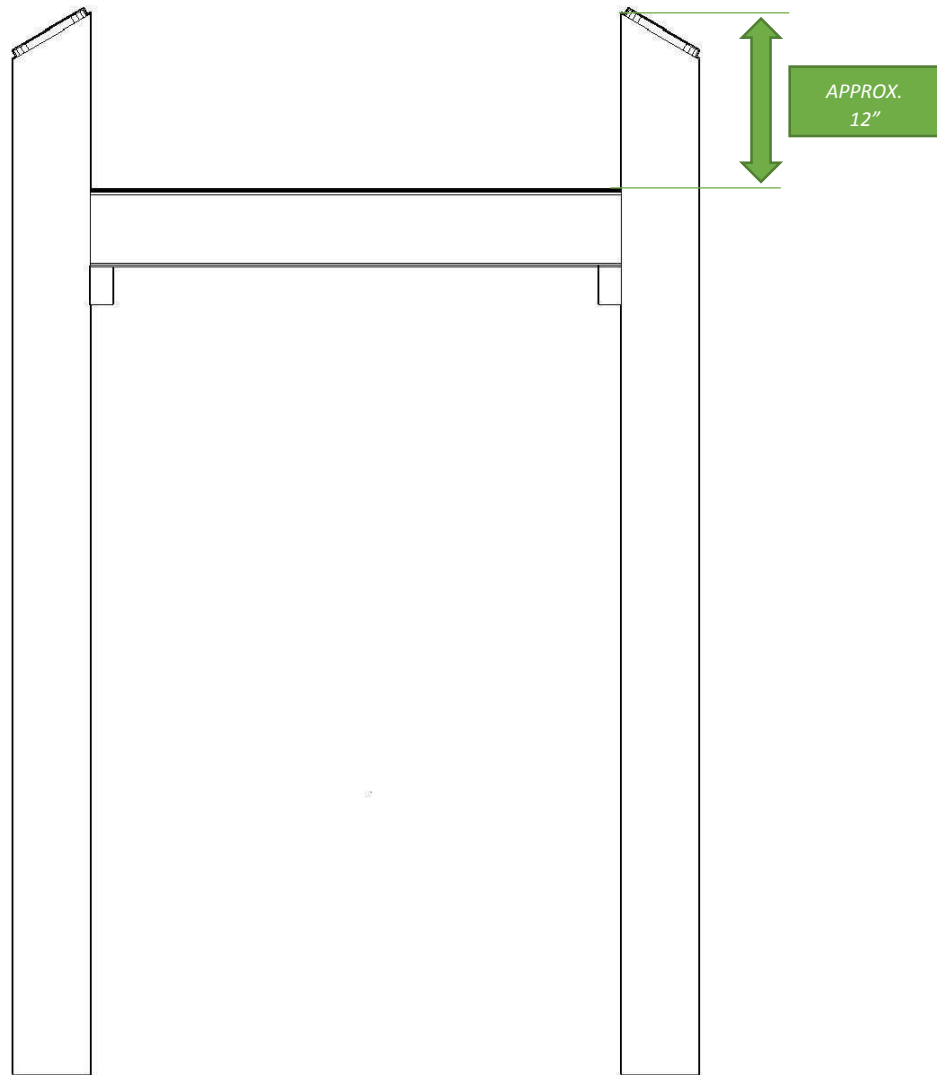


## Small Up & Down Ramp Assembly (Contd.)

Please reference the footer drawing provided for the hole placement of the item(s) below. We recommend you dig your footer holes prior to the assembly of your equipment to aid in the ease of installation. Locate the Center Support Mount (A) and the 72" Posts (B) and place the Center Support Mount between the two 72" posts. The approximate installation height is shown on page 6. Once positioned fasten (4) 5/16" x 4" RSS Screws (2 on each side) through the mounting pleat and into the post.

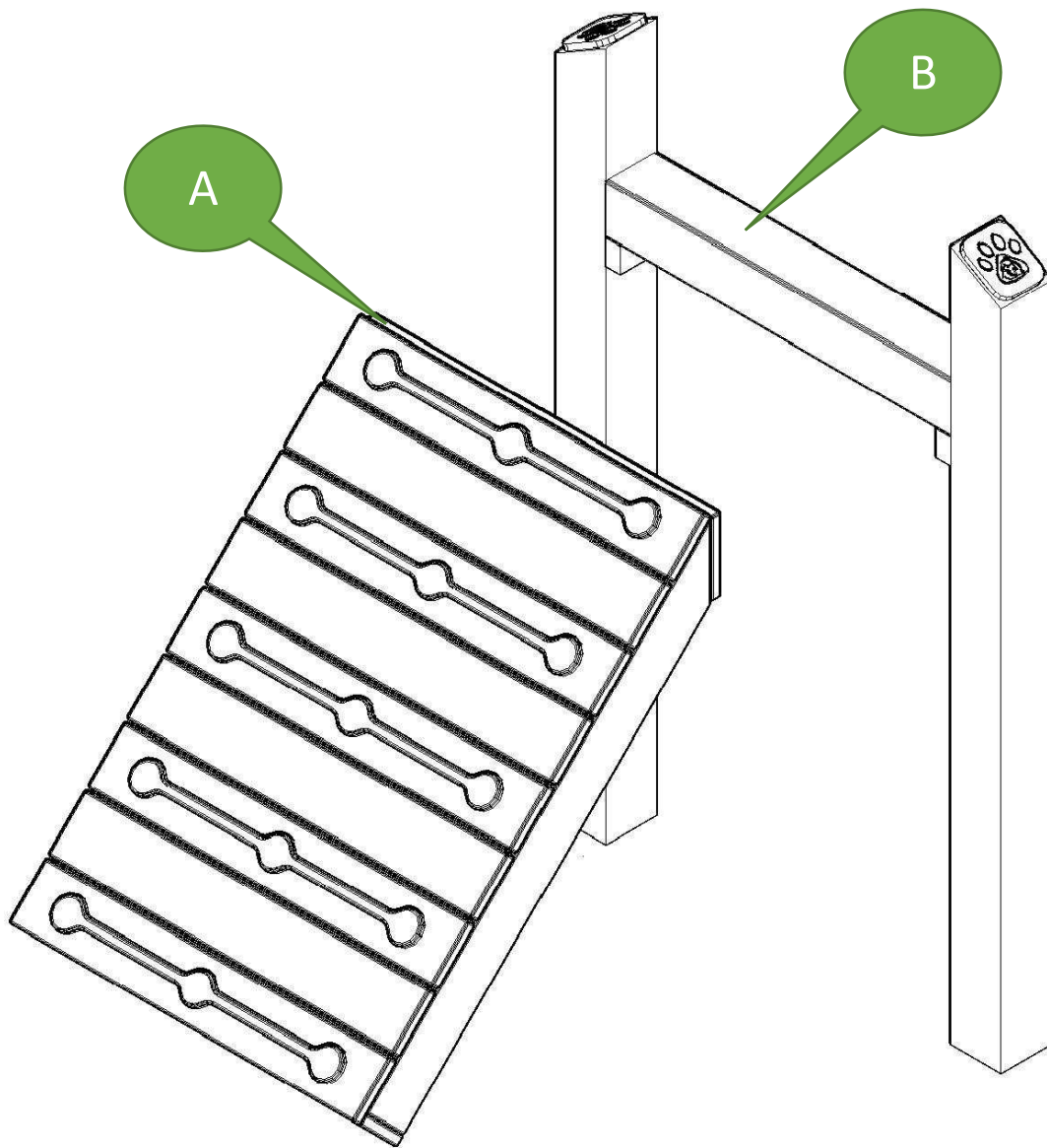


Small Up & Down Ramp Assembly (Contd.)

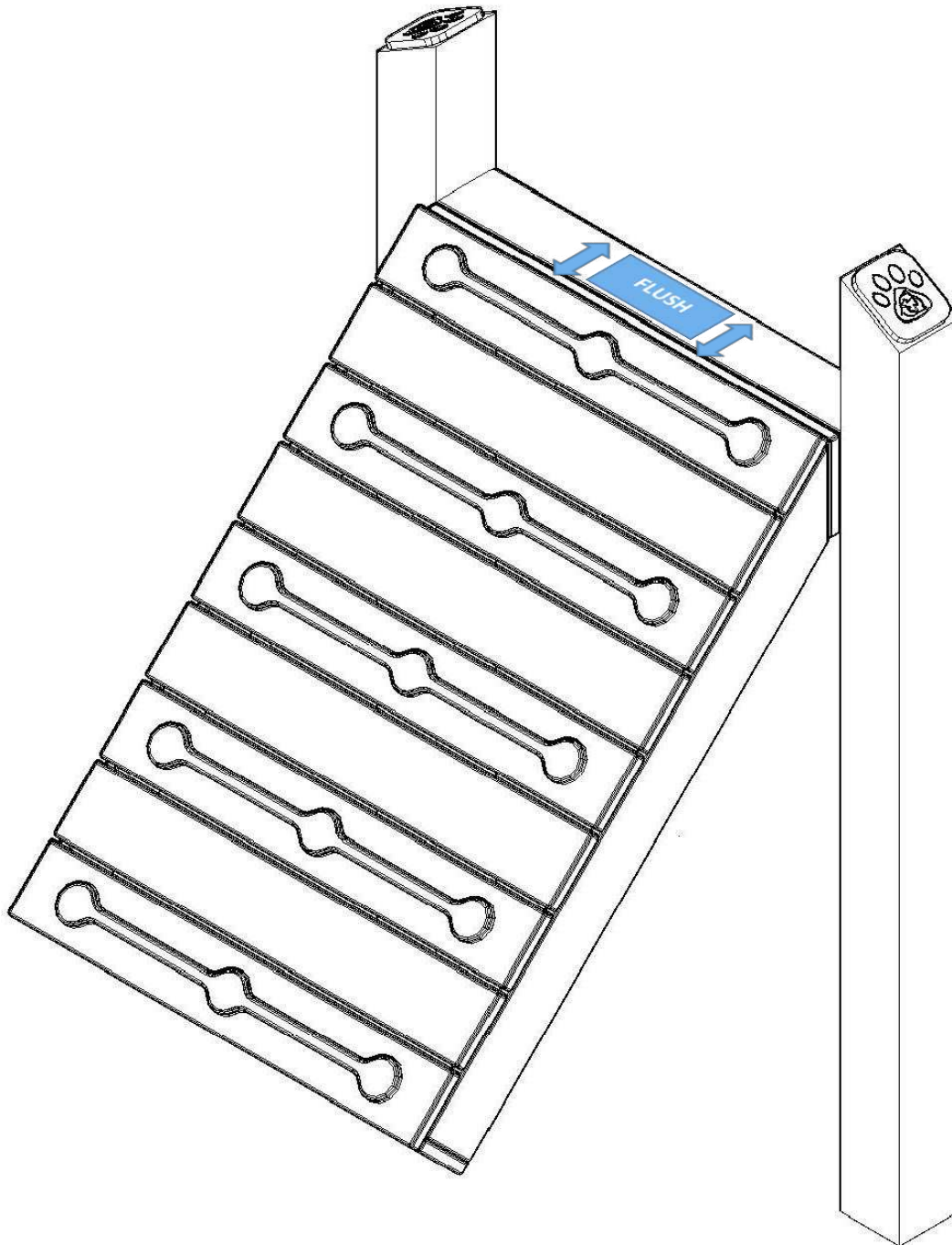


Small Up & Down Ramp Assembly (Contd.)

After the center support mount is installed proceed to locate the first ramp for installation. Position the ramp flush against the outside face of the Center Support ensuring that the top of the ramp mounting board (A) is flush to the top of the Center Support board as shown on page 8.



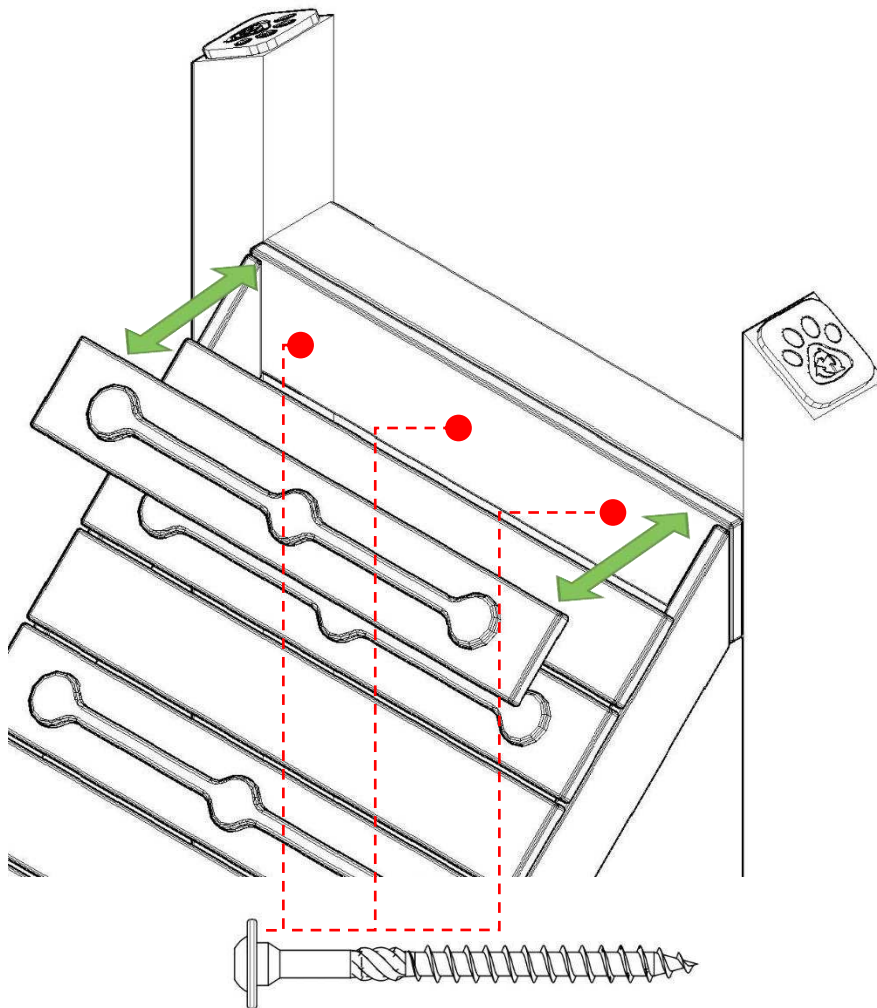
Small Up & Down Ramp Assembly (Contd.)





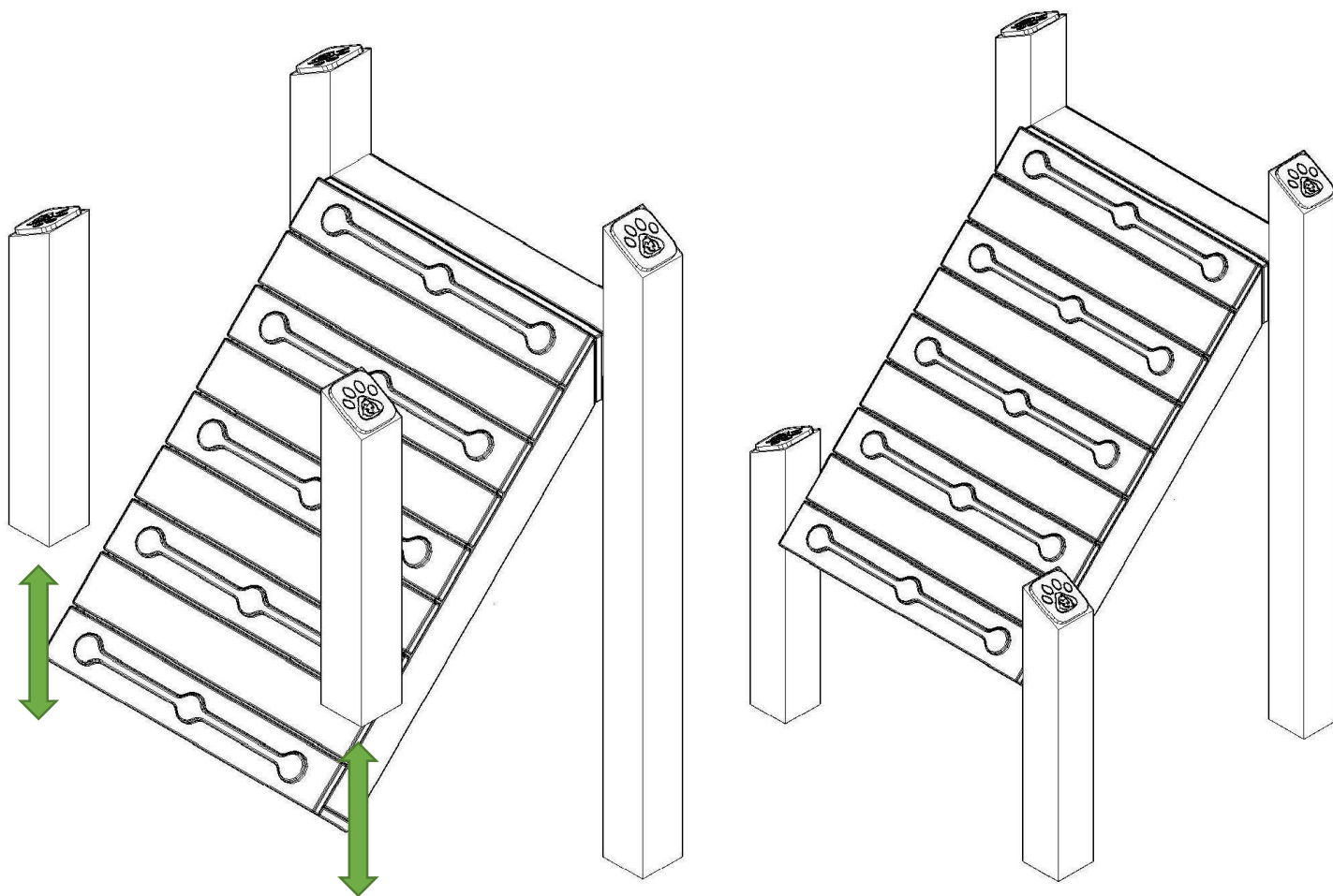
## Small Up &amp; Down Ramp Assembly (Contd.)

After aligning the ramp proceed to completely remove the top ramp board (A). Once removed fasten (3) 5/16" x 3-1/8" RSS SS Screw through the ramp mounting board and into the Center Support (B). Take note that when assembling the other ramp you will need to alternate your placement to prevent running into the hardware from the opposing side.

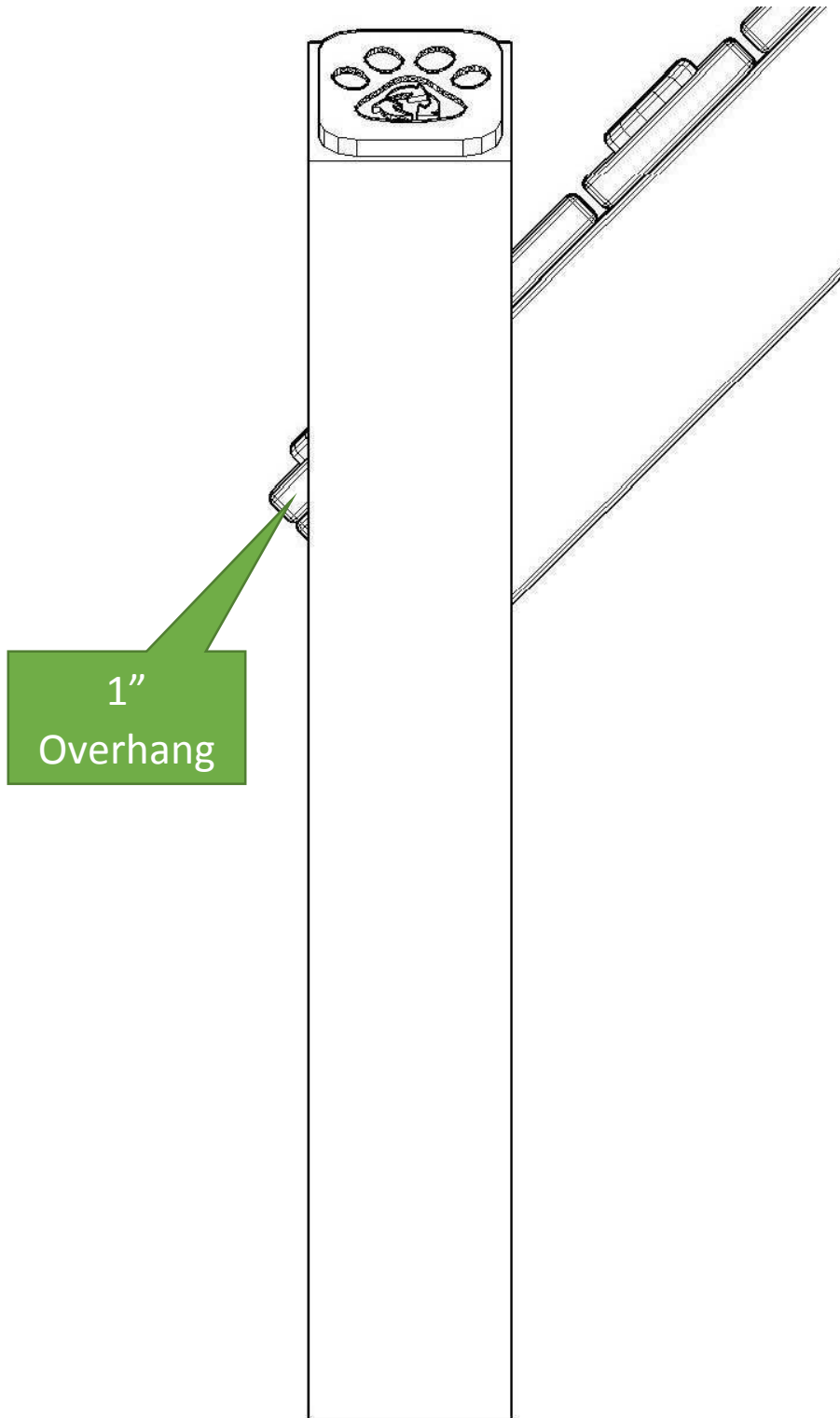


## Small Up & Down Ramp Assembly (Contd.)

The final step in the installation process is to assemble the 36" support posts to the bottom of the ramp.



Small Up & Down Ramp Assembly (Contd.)



## Small Up &amp; Down Ramp Assembly (Contd.)

Proceed to fasten (4) 5/16" x 3-1/8" RSS SS Screws (2 per side of ramp) through the pilot holes located on the ramp and into the 36" post.

**REPEAT THE SAME PROCESS OUTLINED IN PAGES 7-12 FOR THE REMAINING RAMP. The installation is complete!**

