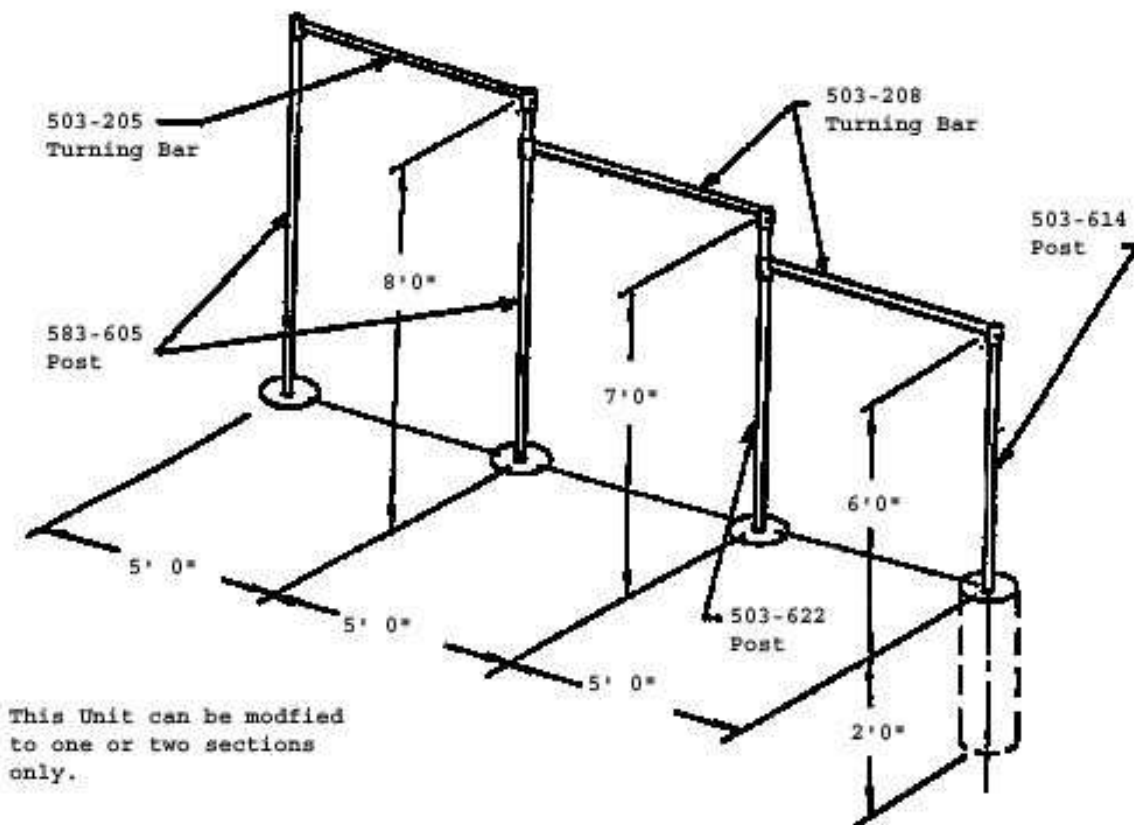


## 501-876 TRIPLE HORIZONTAL BAR

### \* IMPORTANT \*

PLEASE RETAIN THIS INSTRUCTION SHEET IN YOUR FILES. IT CONTAINS IMPORTANT REPLACEMENT PARTS INFORMATION. ALL EQUIPMENT SHOULD BE INSTALLED IN ACCORDANCE WITH THESE INSTRUCTIONS.

IT IS IMPORTANT TO USE AND MAINTAIN ALL PUBLIC PLAYGROUND EQUIPMENT PROPERLY. PLAYGROUND EQUIPMENT WHICH IS IMPROPERLY MAINTAINED CAN CAUSE SERIOUS INJURY. PERIODICAL INSPECTIONS, MAINTENANCE, REPAIR AND/OR REPLACEMENT OF DAMAGED PARTS IS NECESSARY FOR SAFE OPERATION OF EQUIPMENT AND SAFETY OF USERS. RESILIENT SURFACING SHOULD BE USED UNDER ALL PLAYGROUND EQUIPMENT. APPROPRIATE PUBLICATIONS, AVAILABLE AT NO CHARGE, FROM THE CONSUMER PRODUCT SAFETY COMMISSION, INCLUDE "A HANDBOOK FOR PUBLIC PLAYGROUND SAFETY." YOU CAN RECEIVE YOUR FREE COPY BY CALLING 1-301-504-7908.



#### PACKING LIST

1 CTN	- 1 Hardware Bag
1 BDL	- 2 503-208 Turning Bar
	- 1 503-205 Turning Bar
1 PIPE	1 503-614 Post 2 3/8" OD x 8' LG
1 PIPE	- 1 503-622 Post 2 3/8" OD x 9' LG
2 PIPE	- 1 583-605 Post 2 3/8" OD x 10' LG

#### HARDWARE BAG

6	- 196-802 1/2" x 1/2" Socket Set Screw
1	- 416-400 1/4" Socket Key
1	- 805-532 Warning Label
1	- 805-534 Sportsplay Label
1	- Maintenance Checklist

1 CTN

1 BDL

4 PIPE

6 TOTAL PCS

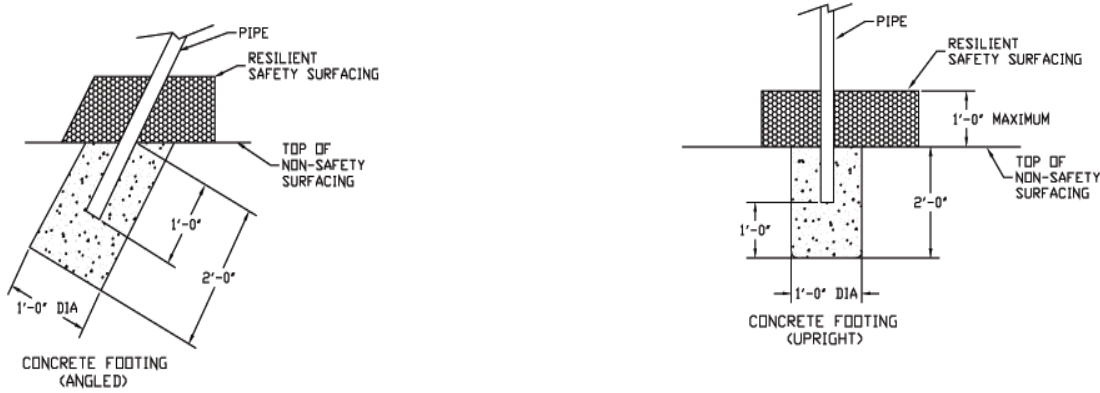
WT 110#

CLASS 70

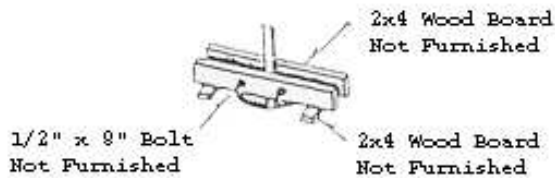
# 501-876 TRIPLE HORIZONTAL BAR

## GENERAL USE/FALL ZONE & FOOTING RECOMMENDATIONS

STATIONARY & PORTABLE EQUIPMENT - USE/FALL ZONES SHOULD EXTEND A MINIMUM OF 6 FEET IN ALL DIRECTIONS FROM THE PERIMETER OF THE EQUIPMENT GROUND SPACE. THIS AREA SHOULD BE COVERED WITH THE REQUIRED AMOUNT OF RESILIENT SAFETY SURFACING MATERIAL. FOR SOME EQUIPMENT - USE/FALL ZONES CAN OVERLAP. SEE CONSUMER PRODUCT SAFETY COMMISSION GUIDELINES. DIAMETER & DEPTH OF FOOTING ILLUSTRATED ARE SATISFACTORY IN MOST APPLICATIONS FOR PIPE SIZES UP TO 2 3/8" DIAMETER. VARYING SOIL & CLIMATIC CONDITIONS MAY REQUIRE DEEPER & HEAVIER FOOTINGS IN SOME AREAS. CHECK LOCAL BUILDING CODES.

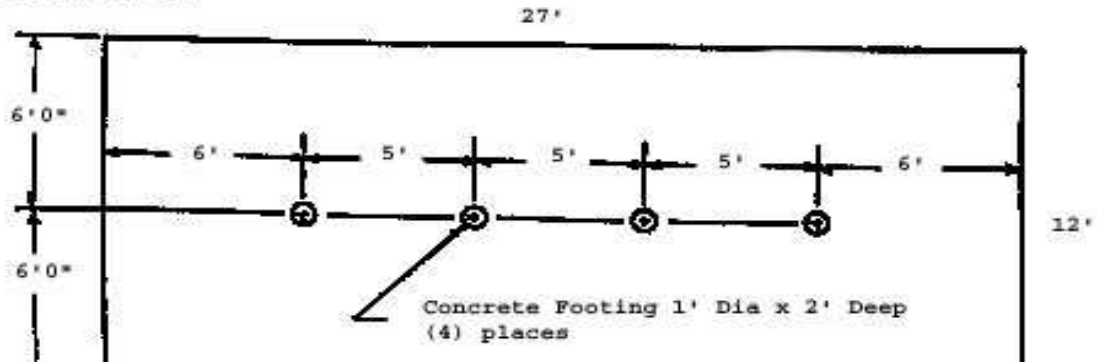


\* If resilient surfacing is to be less than 12", then additional pipe should be put in concrete to maintain proper finish grade for equipment.



Suggested Bracing Method

### USE AREA & FOOTING LAYOUT:



## 501-876 TRIPLE HORIZONTAL BAR

### GENERAL ASSEMBLY INSTRUCTIONS:

Check all the parts and hardware with the packing list to be sure you have received everything needed to assemble this product. CONTACT YOUR LOCAL DISTRIBUTOR WITH NOTIFICATION OF ANY MISSING OR DAMAGED PARTS. Contact must be made within ten days of receipt of your order.

Only hand-tighten nuts & bolts on initial assembly. Final tightening should be done EVENLY after final assembly when unit has been plumbed & leveled.

After assembly is complete, ANY ENDS OF BOLTS PROTRUDING BEYOND NUTS SHOULD BE CUT OFF AND/OR PEENED OVER TO REMOVE ANY SHARP EDGES. Go over entire unit to file smooth any sharp edges or projections that may have been caused by rough handling in shipping or installation. T-Clamps are designed for both one and two bolt connections. In many situations only one bolt is required. See specific assembly instructions.

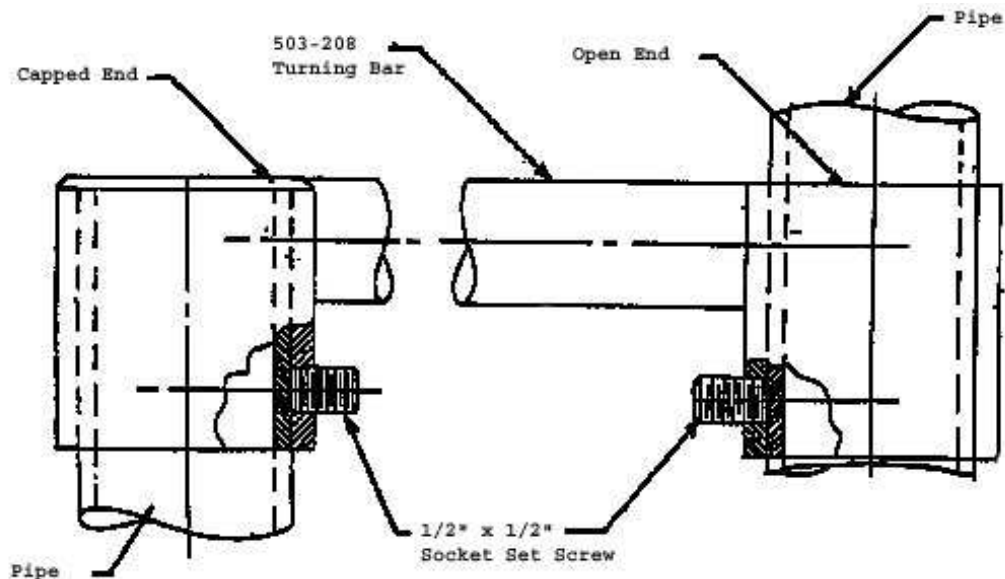
On products with platforms install 1 - 2 degrees off level to facilitate water drainage.

### GENERAL MAINTENANCE INSTRUCTIONS:

Check MONTHLY for loose bolts, damaged or broken parts. Tighten and/or replace immediately.

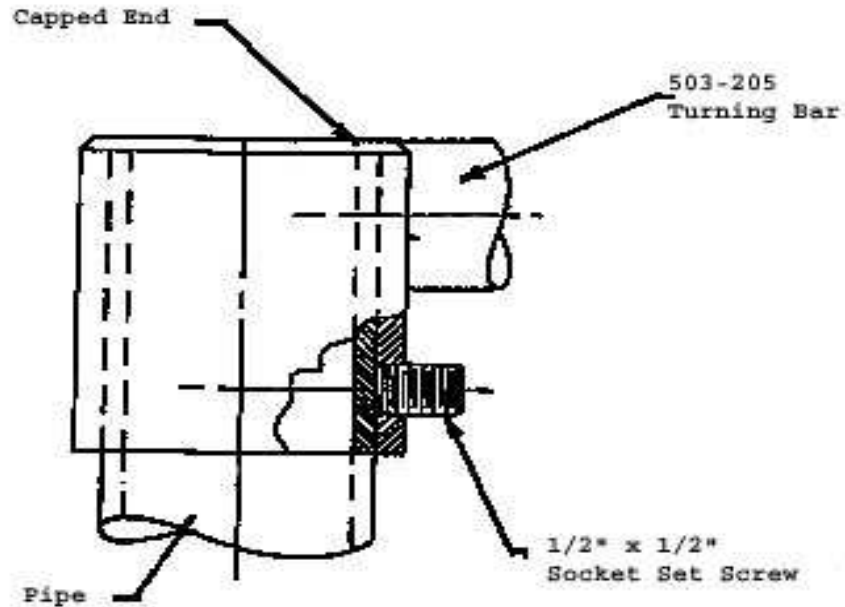
### SPECIFIC ASSEMBLY INSTRUCTIONS:

- STEP #1: Mark & dig footing holes per SKETCH on PAGE #2.
- STEP #2: Determine height of individual bars for intended age of users. Adjust posts height accordingly. Posts as supplied are 8', 9' & 10' long. Two feet of pipe goes under playing surface. If lower bar heights than 6', 7' & 8' are desired, cut pipe accordingly—or dig deeper footing holes.
- STEP #3: Place Pipe Posts in footing holes. Brace to desired height above intended resilient surfacing level.
- STEP #4: Attach two lower Turning Bars (503-208) first.



## 501-876 TRIPLE HORIZONTAL BAR

STEP #5: Attach highest Turning Bar (503-205).



STEP #6: Plumb & level. Tighten all set screws HARD. Pour Concrete. Wait 48 hours before removing braces, installing Resilient Surfacing & using equipment.

STEP #7: Attach Warning Label and Manufacturer's Identification Label to a clean surface. The Labels should be attached in a location where they are clearly visible and legible and away from normal hand and foot placement areas. The Labels must be replaced if they become illegible, destroyed or removed. Contact your distributor for replacement Labels.