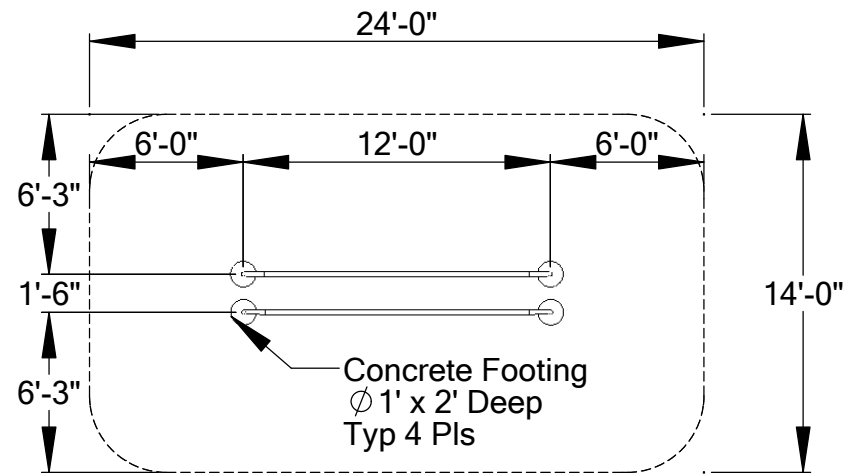
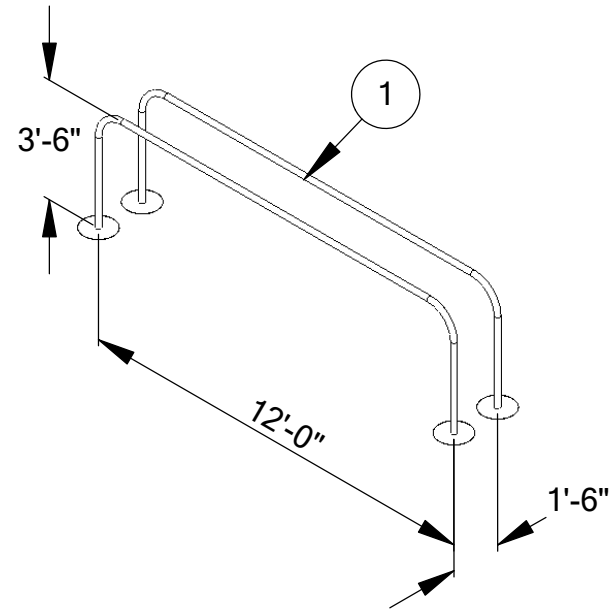




PARALLEL BARS

511-108

ITEM NO.	PART NUMBER	DESCRIPTION	QTY.
1	503-611	Turning Bar	2



Footing Diagram