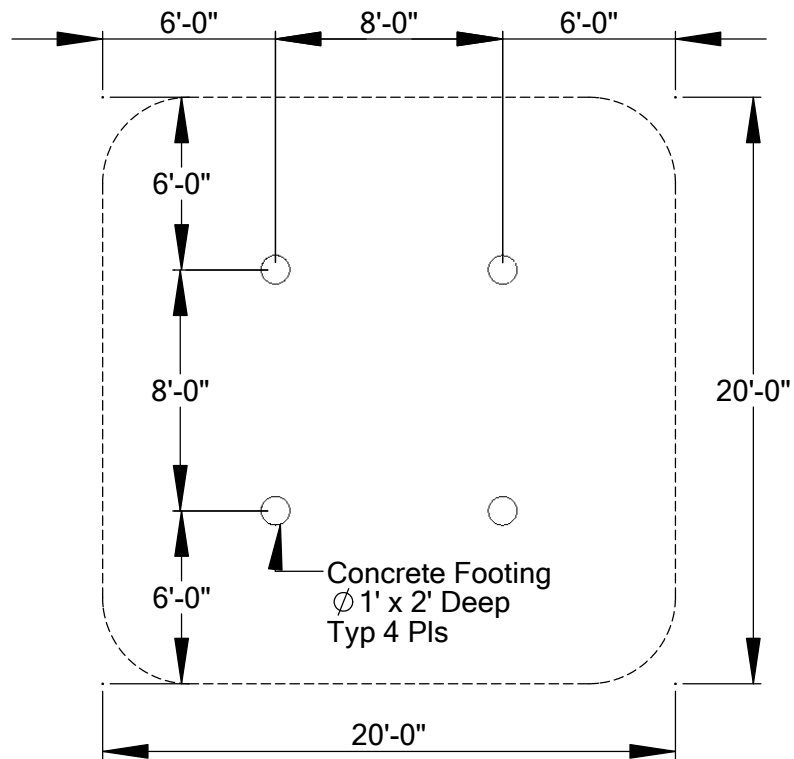
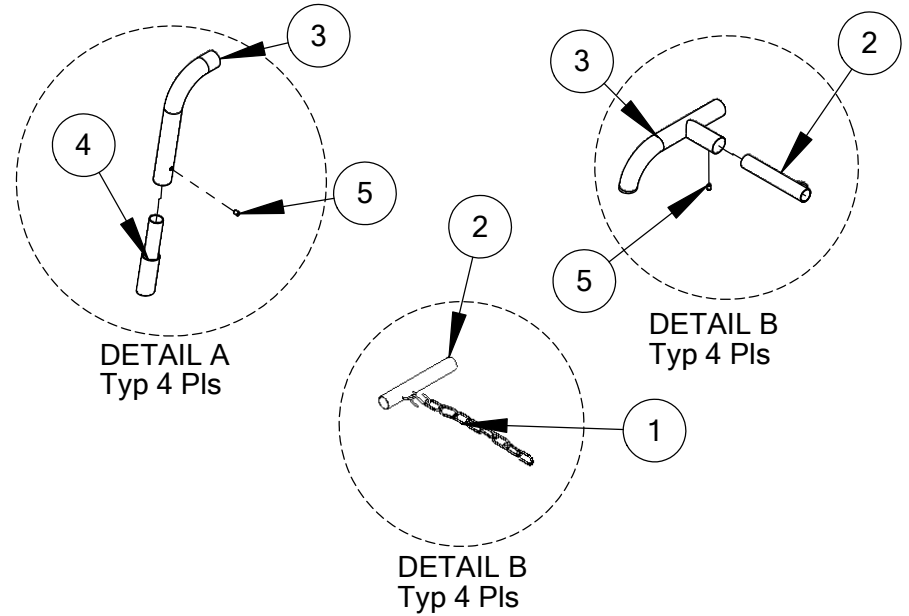


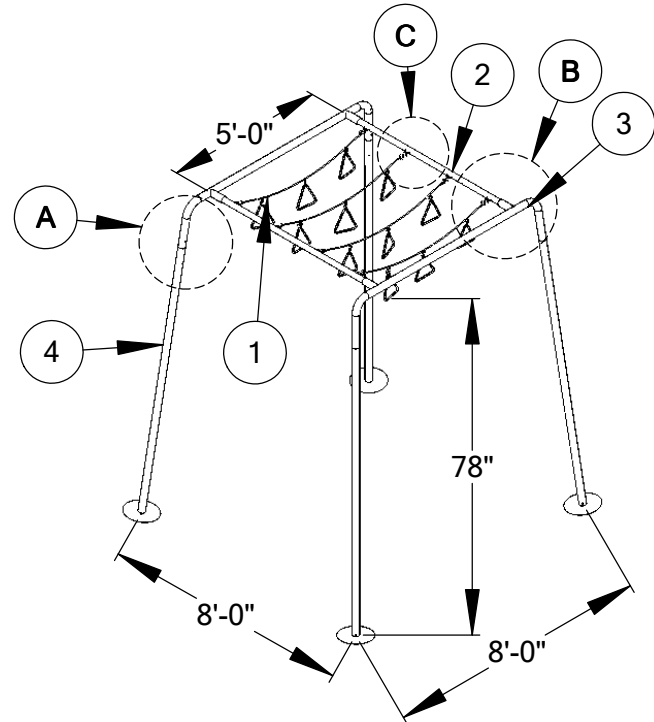
CHAIN RING LADDER

511-115

ITEM NO.	PART NUMBER	DESCRIPTION	QTY.
1	513-203	Ring & Chain Assy	4
2	513-202	Net Bars	2
3	513-505	End Fitting	2
4	513-618	Legs	4
5	196-803	1/2" x 3/4" Socket Set Screw	8
6	416-400	1/4" Socket Key	1



Footing Diagram



5

↑

4

3

2

1