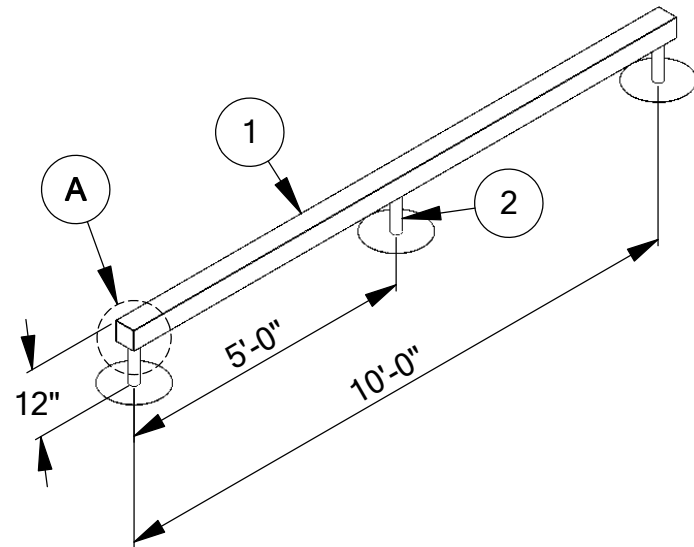
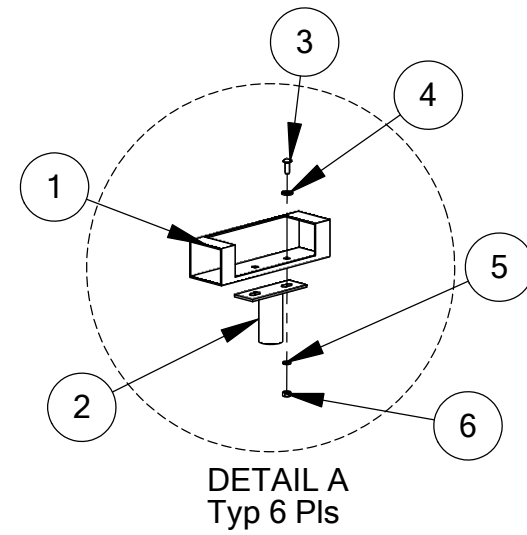
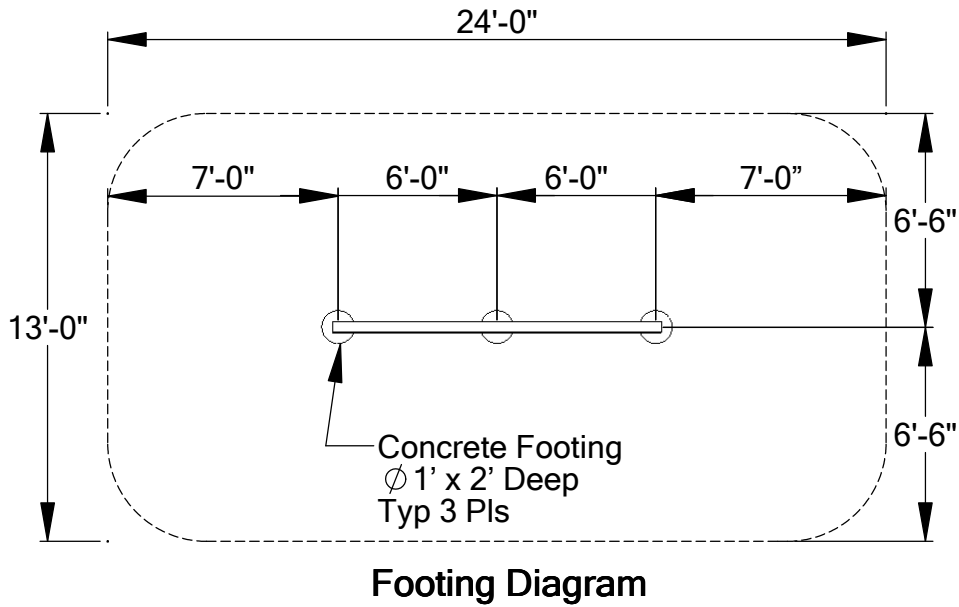


# BALANCE BEAM

511-107

| ITEM NO. | PART NUMBER | DESCRIPTION              | QTY. |
|----------|-------------|--------------------------|------|
| 1        | 513-932     | Beam 12' x 3" x 3-1/2" W | 1    |
| 2        | 603-629     | Leg                      | 3    |
| 3        | 126-504     | 5/16" x 1" Carriage Bolt | 6    |
| 4        | 316-501     | 5/16" Flat Washer        | 6    |
| 5        | 226-501     | 5/16" Lock Washer        | 6    |
| 6        | 216-501     | 5/16" Hex Nut            | 6    |



5

↑

4

3

2

1