



HERCULES CLIMBER IV

902-302

INSTRUCTIONS:

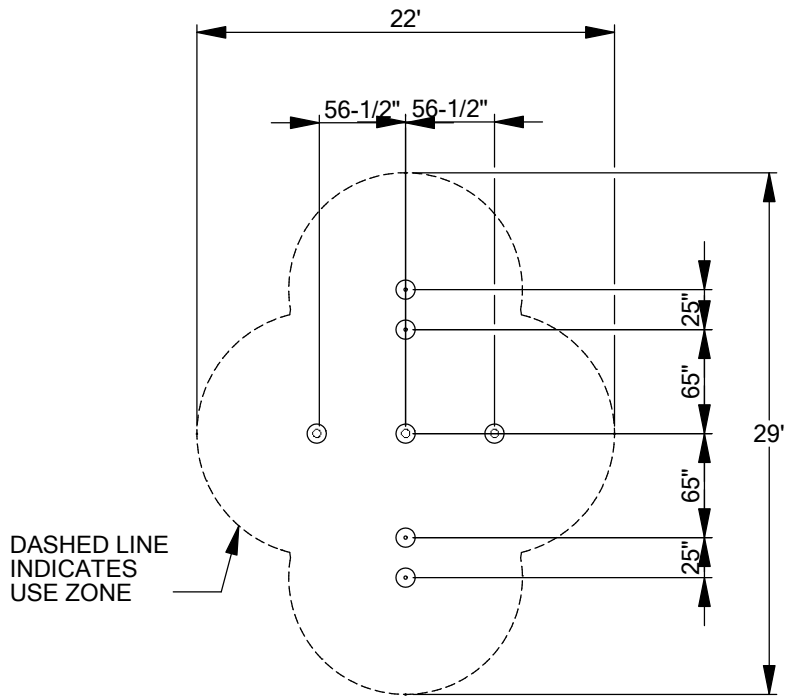
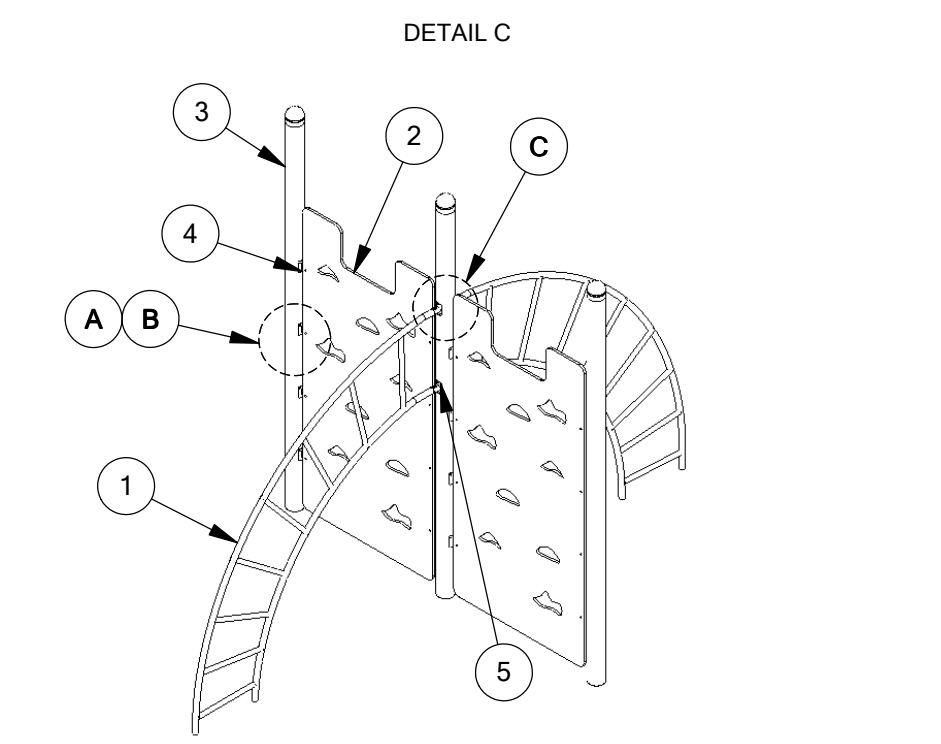
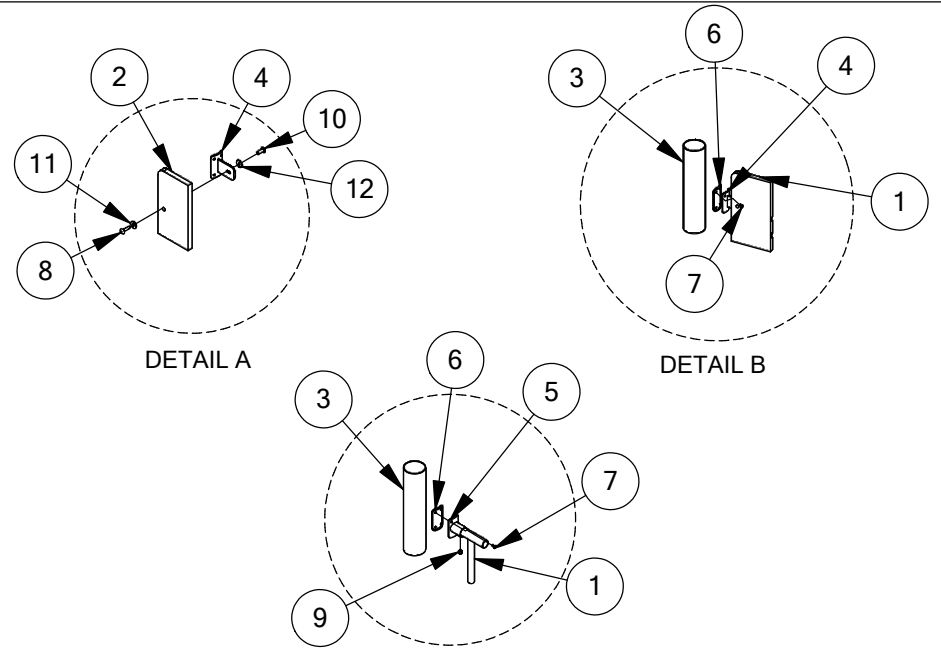
1. Layout footings as shown in the footing diagram and dig. Using a transit level make sure all holes are the same depth.
2. Set the 2 center posts, level and concrete. Let stand 24 hrs. or set the 2 center posts with "hot mix" and let stand the recommended time as specified on the concrete label.
3. Once main posts are set then begin building unit per dwg. Install the plastic walls by attaching the brackets with tabs to the panel as shown in Detail A. Once the brackets are in place, attach them to the post with self tapping screws as shown in Detail B. Be sure to raise panel so that the bottom of panel is located at the top of the safety surfacing. Finish attaching the brackets on the main post then set the next structure post in footing and attach it to the brackets.
4. Attach the 2 climbing ladders as shown per Detail C with self tapping screws.
5. Finally make sure all posts and ladders are level and in line with each other and concrete. Allow 48 hrs before allowing play.



HERCULES CLIMBER IV

902-302

ITEM NO.	PART NUMBER	DESCRIPTION	QTY.
1	903-302	Arch Ladder Hercules Climber	2
2	903-301	Plastic Panel Hercules Climber	2
3	913-108	5" Post 11'-4"	3
4	913-417	Panel Attachment Bracket	16
5	913-402	4 Hole Attachment Bracket	4
6	905-208	Gasket for Attachment Brackets	20
7	905-526	Self Tapping Tamper Resistant Torx #27 Screw	96
8	116-530Bps	5/16" x 1" Button Pin SS	16
9	196-807	3/8" x 3/8" Socket Set Screw SS	4
10	216-512	5/16" x 1" Button Head Nut SS	16
11	316-601	3/8" Flat Washer SS	32
12	326-501	5/16" Lock Washer SS	16
13	416-350	3/16" Socket Key	1



FOOTING DIAGRAM

5 4 3 2 1