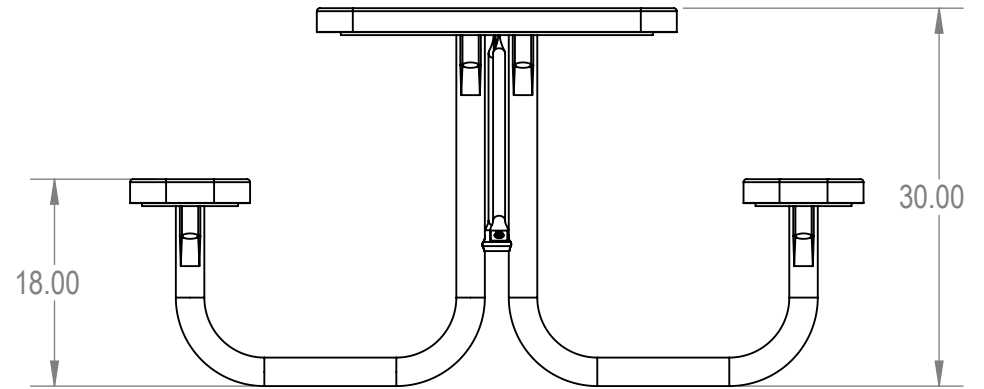
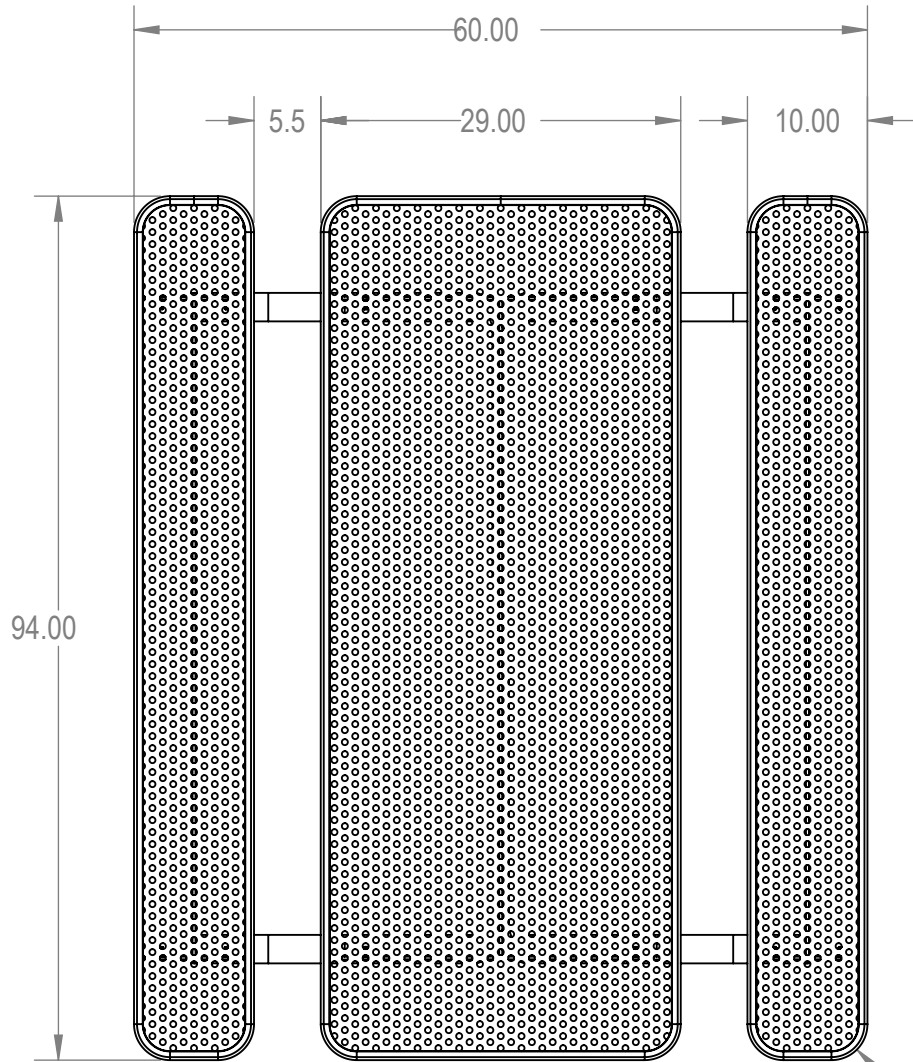


Model Numbers:
 TRT08-B-01-000 - Advantage Coating
 TRT08-D-01-000 - Industry Standard Coating



R3.00

TERRA BOUND
 SOLUTIONS™

PROPRIETARY AND CONFIDENTIAL
 THE INFORMATION CONTAINED IN THIS DRAWING IS THE SOLE PROPERTY OF Advantage Panels & Fence, Inc. PO Box 1790 Whitney, TX. ANY REPRODUCTION IN PART OR AS A WHOLE WITHOUT THE WRITTEN PERMISSION OF Advantage Panels & Fence, Inc. PO Box 1790 Whitney, TX. IS PROHIBITED.

	NAME	DATE
DRAWN	GM	1/3/2016
SALES APPR.		
CLIENT APPR.		
MFG APPR.		
Q.A.		
Design By -		

AAdvantage Panels & Fence, Inc.

TITLE:

8' Rectangular Portable Table

Punched Steel

5

4

3

2

1