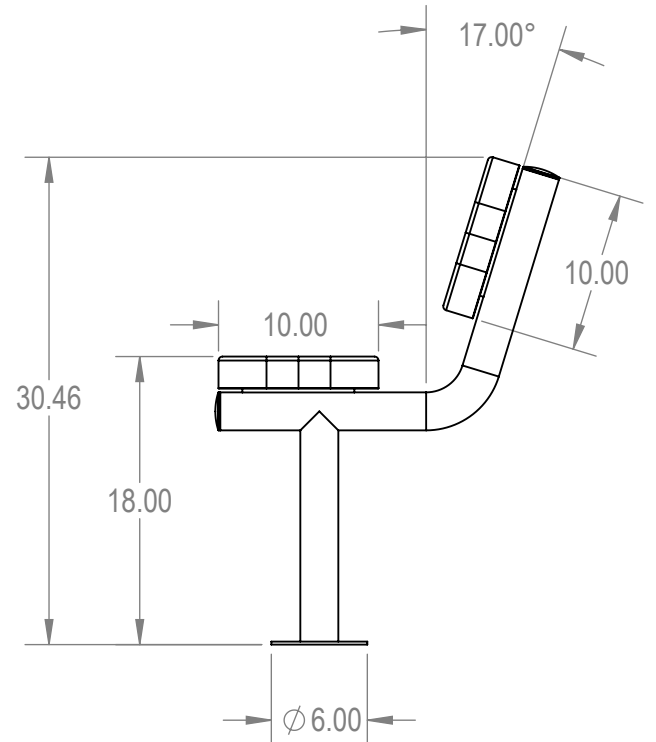


Model Numbers:
 BRT06-A-01-000 - Advantage Coating
 BRT06-C-01-000 - Industry Standard Coating



TERRA BOUND
SOLUTIONS™

PROPRIETARY AND CONFIDENTIAL
 THE INFORMATION CONTAINED IN THIS DRAWING IS THE SOLE PROPERTY OF Advantage Panels & Fence, Inc. PO Box 1790 Whitney, TX. ANY REPRODUCTION IN PART OR AS A WHOLE WITHOUT THE WRITTEN PERMISSION OF Advantage Panels & Fence, Inc. PO Box 1790 Whitney, TX. IS PROHIBITED.

	NAME	DATE
DRAWN	GM	1/25/2016
SALES APPR.		
CLIENT APPR.		
MFG APPR.		
Q.A.		

Design By -
CADWorksPro
 Chicago, IL
www.cadworkspro.com

AAdvantage Panels & Fence, Inc.		
TITLE: 6Ft Rectangular Bench with Back Surface Mt - Expanded Metal		
SIZE A	DWG. NO.	REV
WEIGHT:		SHEET 2 OF 3