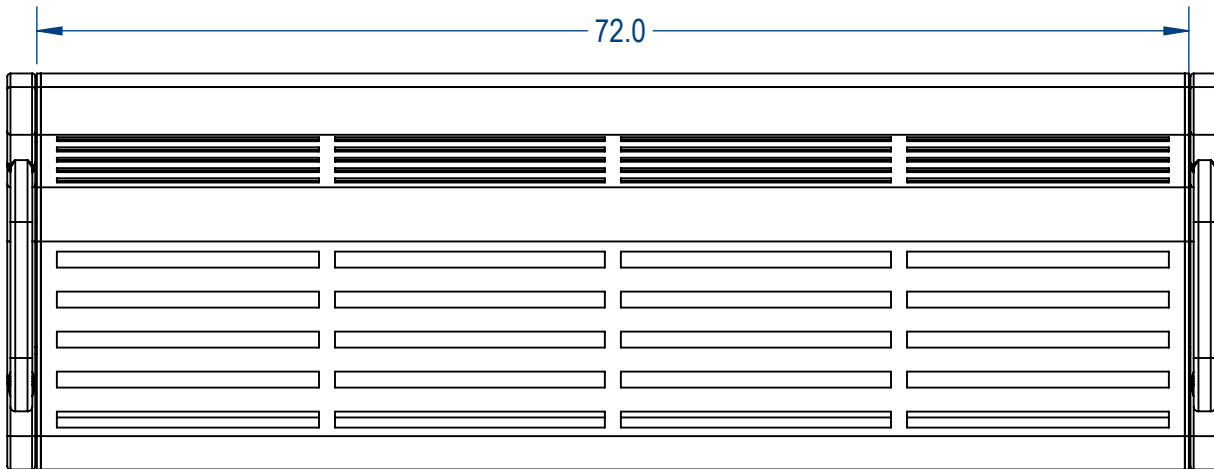
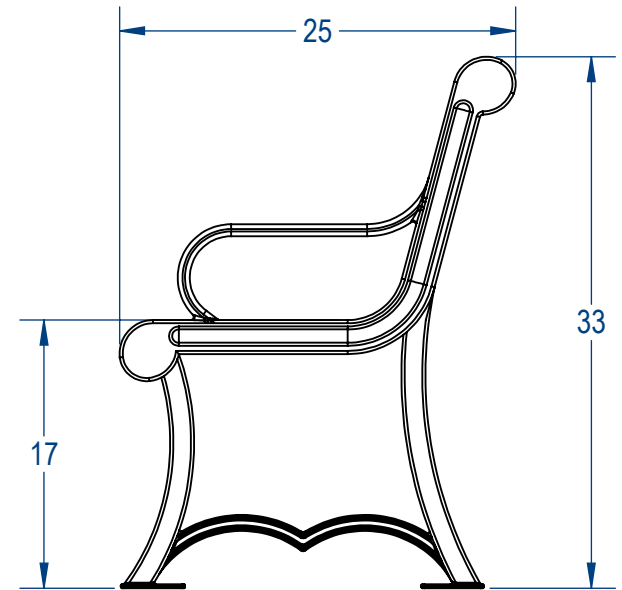
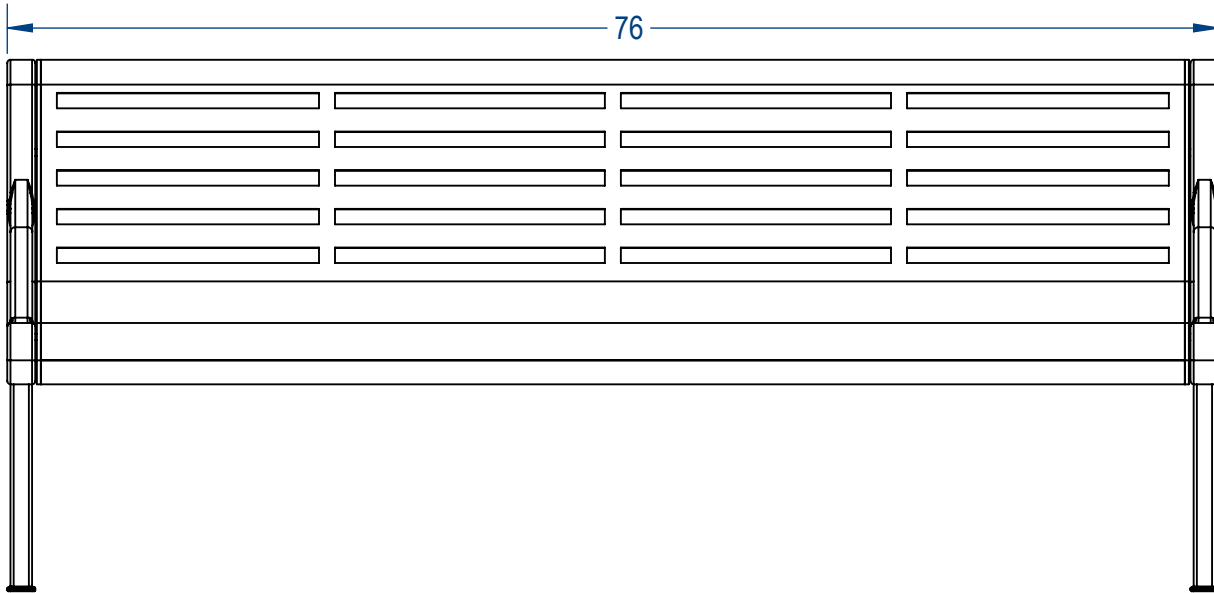


**TERRA BOUND**  
**SOLUTIONS™**

**PROPRIETARY AND CONFIDENTIAL**  
 THE INFORMATION CONTAINED IN THIS DRAWING IS THE SOLE PROPERTY OF Advantage Panels & Fence, Inc. PO Box 1790 Whitney, TX. ANY REPRODUCTION IN PART OR AS A WHOLE WITHOUT THE WRITTEN PERMISSION OF Advantage Panels & Fence, Inc. PO Box 1790 Whitney, TX. IS PROHIBITED.

	NAME	DATE	<b>AAdvantage Panels &amp; Fence, Inc.</b>		
<b>DRAWN</b>	GM	7/10/2018	<b>TITLE:</b>		
<b>SALES APPR.</b>			<b>Austin Bench</b> <b>Horizontal Slat Style</b>		
<b>CLIENT APPR.</b>					
<b>MFG APPR.</b>					
<b>Q.A.</b>			<b>SIZE</b>	<b>DWG. NO.</b>	<b>REV</b>
<b>Design By -</b>			<b>A</b>	<b>ASB-001</b>	
			<b>WEIGHT:</b>		<b>SHEET 1 OF 2</b>



Mfg. by Advantage Panels & Fence, Inc.

**Mytcoat**

Commercial Outdoor Furniture

[www.mytcoat.com](http://www.mytcoat.com)

**PROPRIETARY AND CONFIDENTIAL**

THE INFORMATION CONTAINED IN THIS DRAWING IS THE SOLE PROPERTY OF Advantage Panels & Fence, Inc. PO Box 1790 Whitney, TX. ANY REPRODUCTION IN PART OR AS A WHOLE WITHOUT THE WRITTEN PERMISSION OF Advantage Panels & Fence, Inc. PO Box 1790 Whitney, TX. IS PROHIBITED.

	NAME	DATE
DRAWN	GM	7/10/2018
SALES APPR.		
CLIENT APPR.		
MFG APPR.		
Q.A.		

Design By -  
 CADWorksPro  
 Chicago, IL  
[www.cadworkspro.com](http://www.cadworkspro.com)

**AAdvantage Panels & Fence, Inc.**

**TITLE:**  
 Austin Bench  
 Horizontal Slat Style

SIZE	DWG. NO.	REV
<b>A</b>	ASB-002	
<b>WEIGHT:</b>		<b>SHEET 2 OF 2</b>