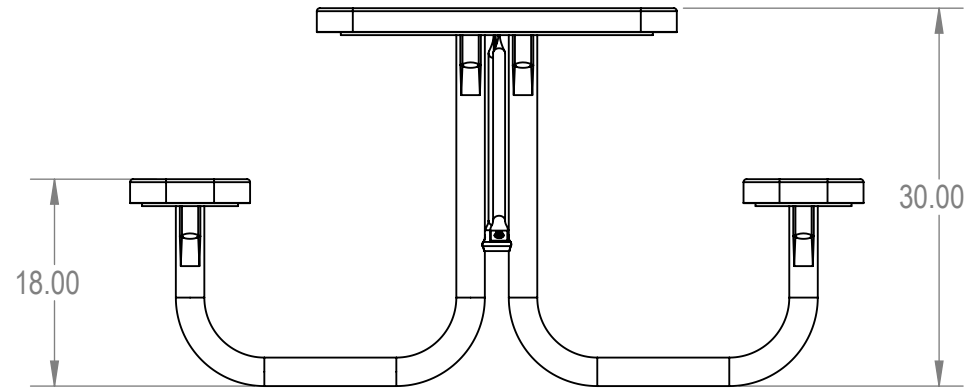
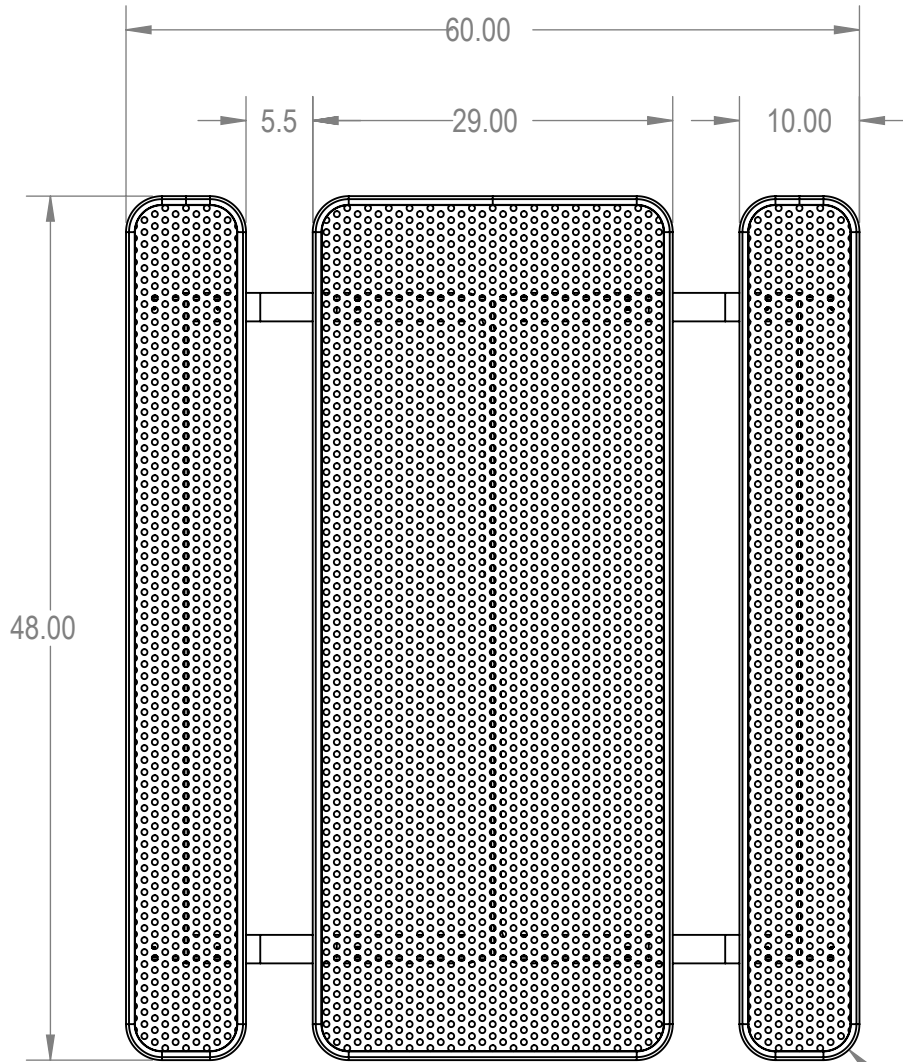


Model Numbers:  
 TRT04-B-01-000 - Advantage Coating  
 TRT04-D-01-000 - Industry Standard Coating



R3.00

**TERRA BOUND**  
**SOLUTIONS™**

**PROPRIETARY AND CONFIDENTIAL**  
 THE INFORMATION CONTAINED IN THIS DRAWING IS THE SOLE PROPERTY OF Advantage Panels & Fence, Inc. PO Box 1790 Whitney, TX. ANY REPRODUCTION IN PART OR AS A WHOLE WITHOUT THE WRITTEN PERMISSION OF Advantage Panels & Fence, Inc. PO Box 1790 Whitney, TX. IS PROHIBITED.

	NAME	DATE
DRAWN	GM	1/3/2016
SALES APPR.		
CLIENT APPR.		
MFG APPR.		
Q.A.		
Design By -		

**AAdvantage Panels & Fence, Inc.**

TITLE:		
4' Rectangular Portable Table		
Punched Steel		

5

4

3

2

1