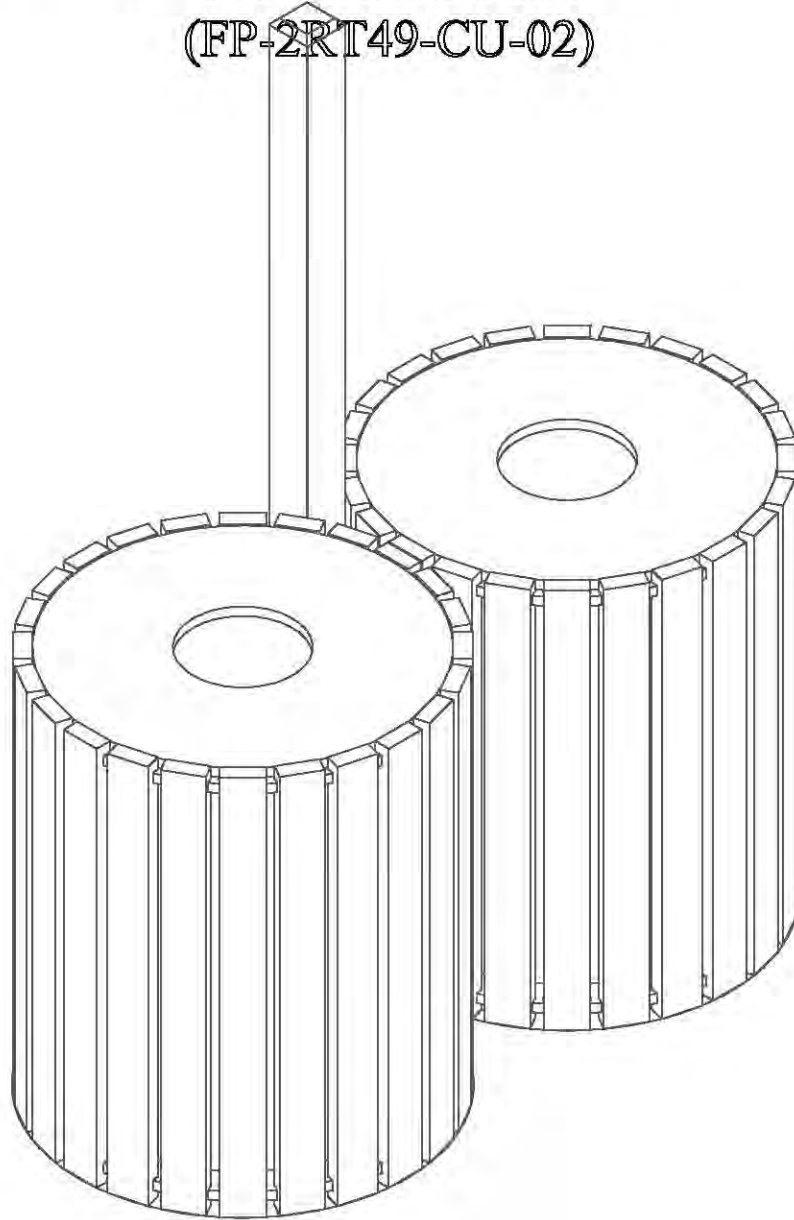


Dual 49 Gallon Recycle Center

For Fastener Pack
(FP-2RT49-CU-02)



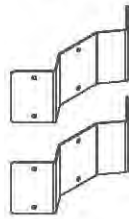
Congratulations !!

You have just purchased the finest recycled plastic
recycle center available. Enjoy !!!

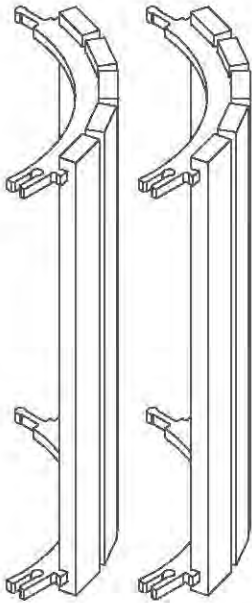
Before assembly, please make sure all components are included.



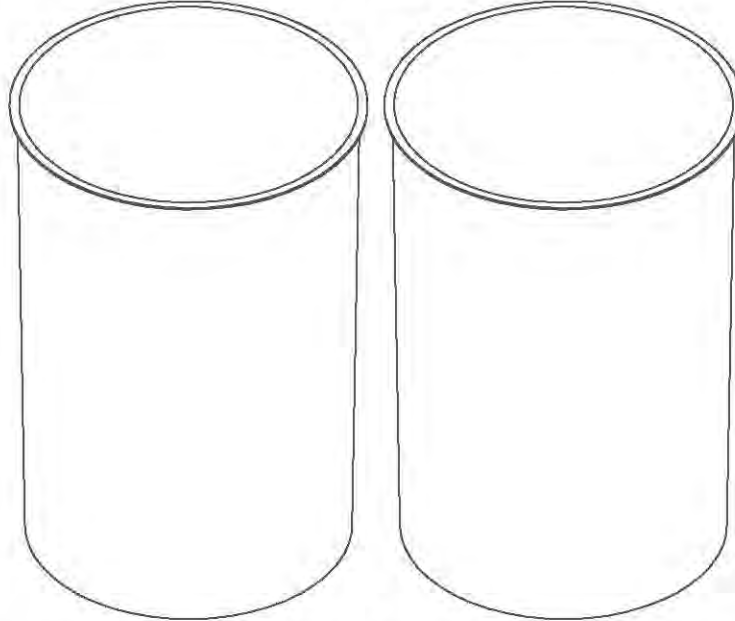
(1) - One Fastener Pack
FP-2RT49-CU-02



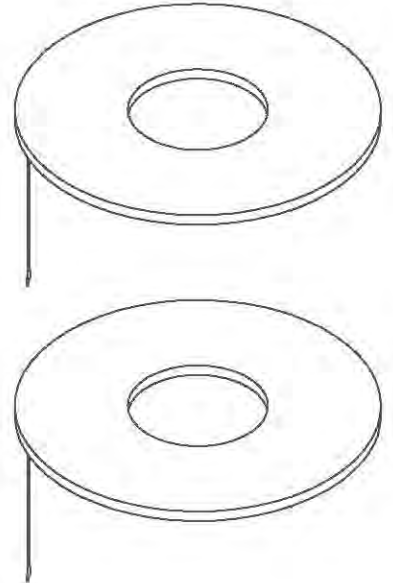
(2) - Two Steel Brackets
RT-STB-A-01



(2) - Two Quarter Panels w/ bracket holes
RTSA-2RT49-QP-02

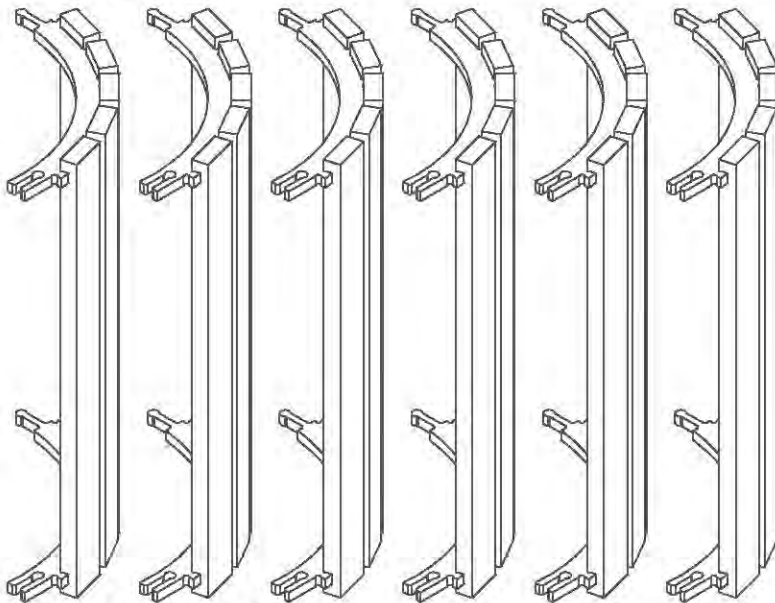


(2) - Two 49 gal. Liner
S7851-00-159



(2) - Two Circular Lids w/ Lanyard
RT-RT49-D-01

A



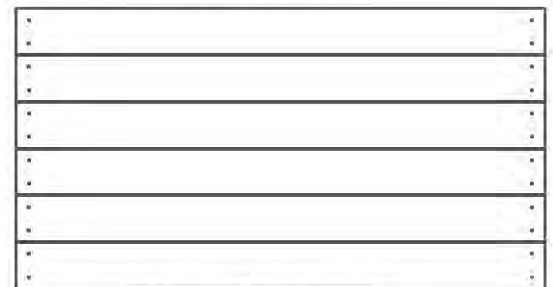
(6) - Six Quarter Panels
RTSA-RT49-QP-02

B



(2) - Two Side Boards w/ connecting holes
RT-2RT49-F-02

F



(4) - Six Side Boards
RT-RT49-B-02

G

(1) - One Post
RT-RT49-P-02

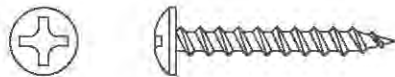


Before assembly, please make sure all fasteners are included.

32 - #12 x 2-1/2" Pan Head Phillips Screw



12 - #12 x 1-1/2" Pan Head Phillips Screw

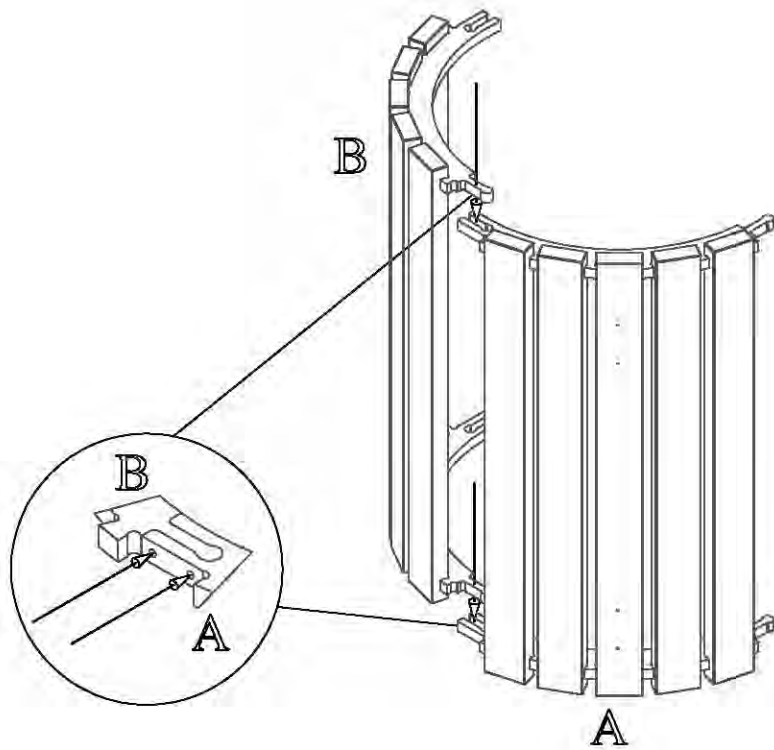


4 - #12 x 2-1/2" Flat Head Phillips Screw

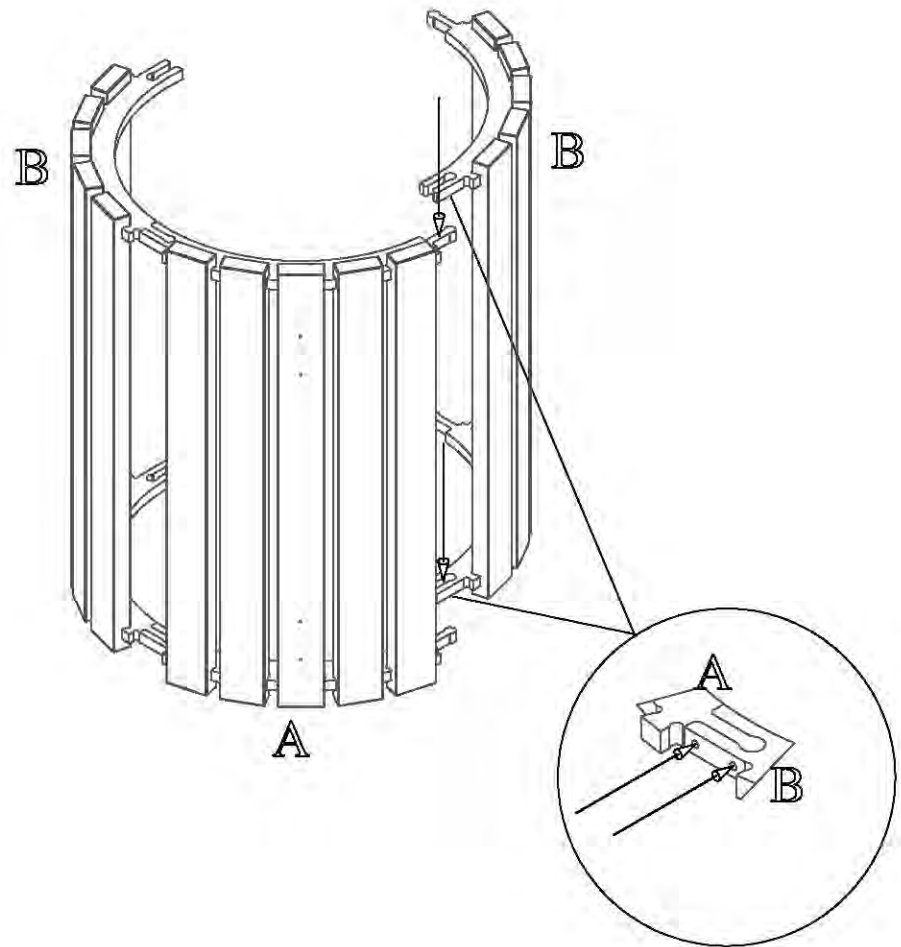


Also needed for this assembly will be the following materials:

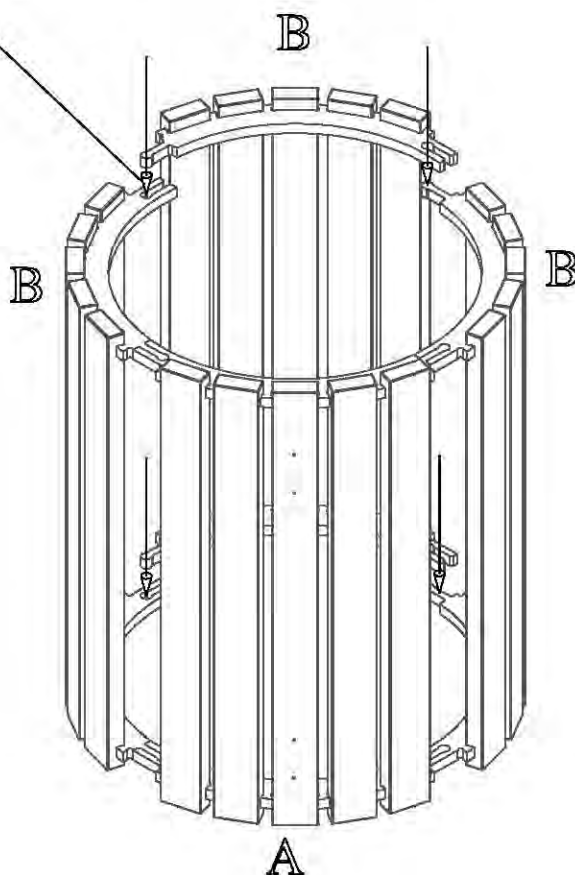
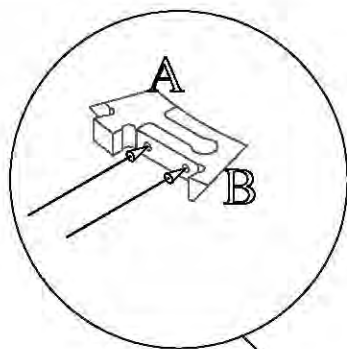
1 - #3 Phillips Drive Bit



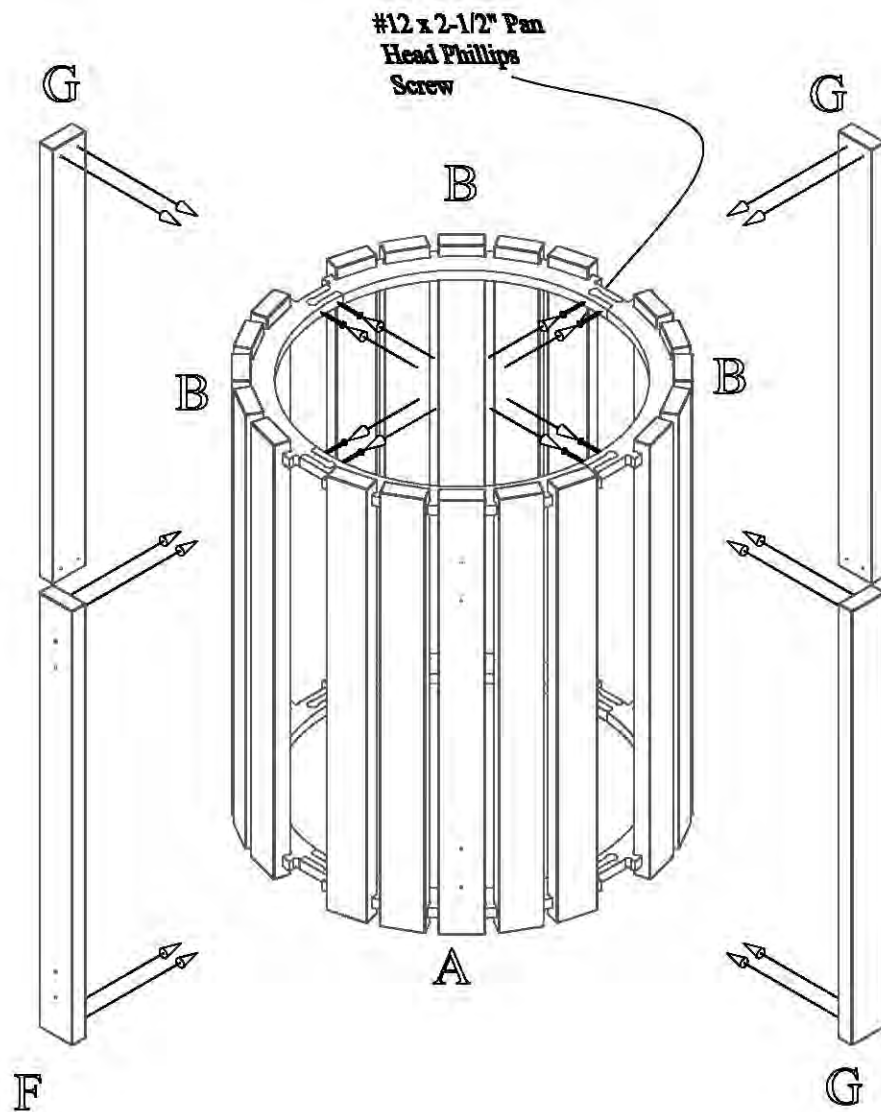
Step 1: Take Panel A and place it in the vertical position, align a Panel B in the vertical position making sure the rail aligns with the top and the bottom. Slide the rails in a downward motion until they are even. Make sure the holes in the rails are aligned.



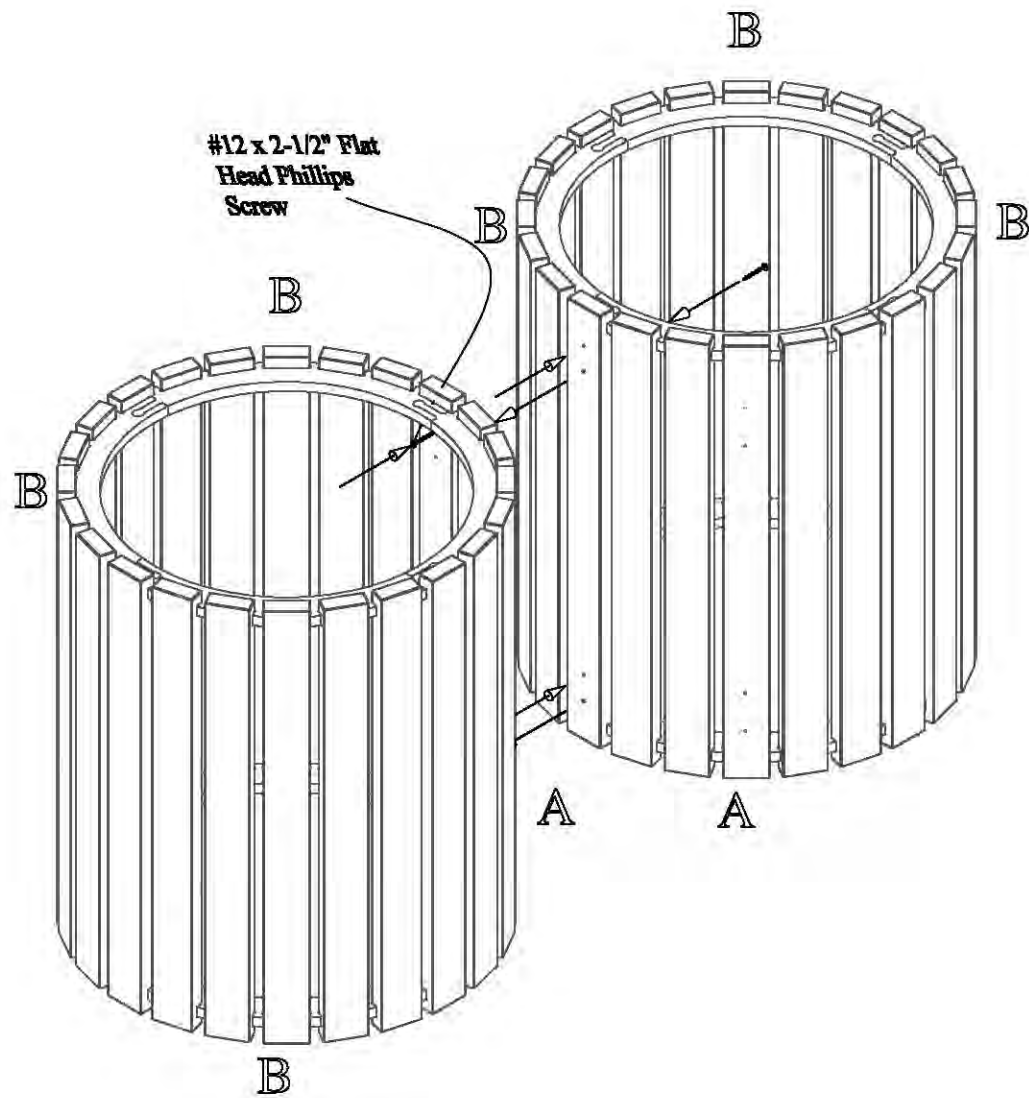
Step 2: Take Panel B place it in the vertical position, aligning it with the previous Panels. Slide the rail of panel in a downward motion and align the holes in the rail.



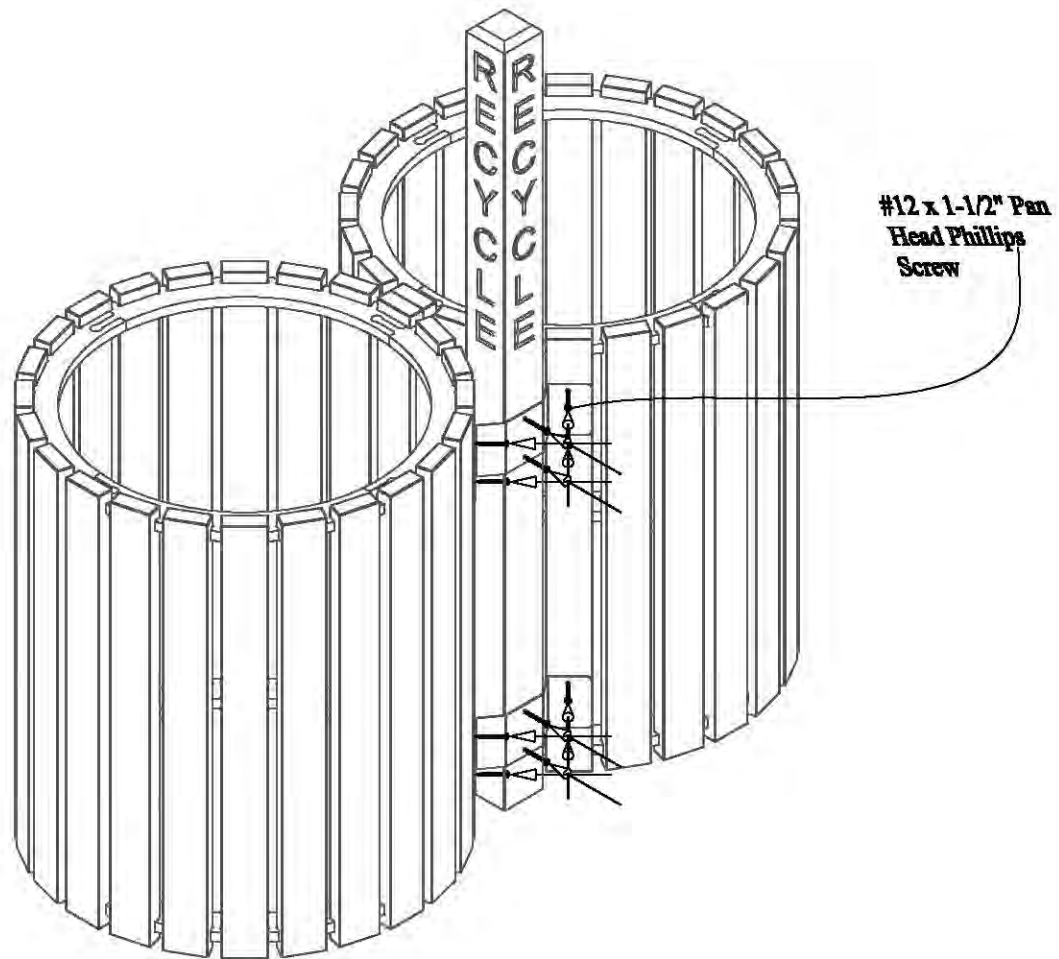
Step 3: Take Panel B place it in the vertical position, aligning it with the previous Panels. Slide the rail of the panel in a downward motion and align the holes in the rail.



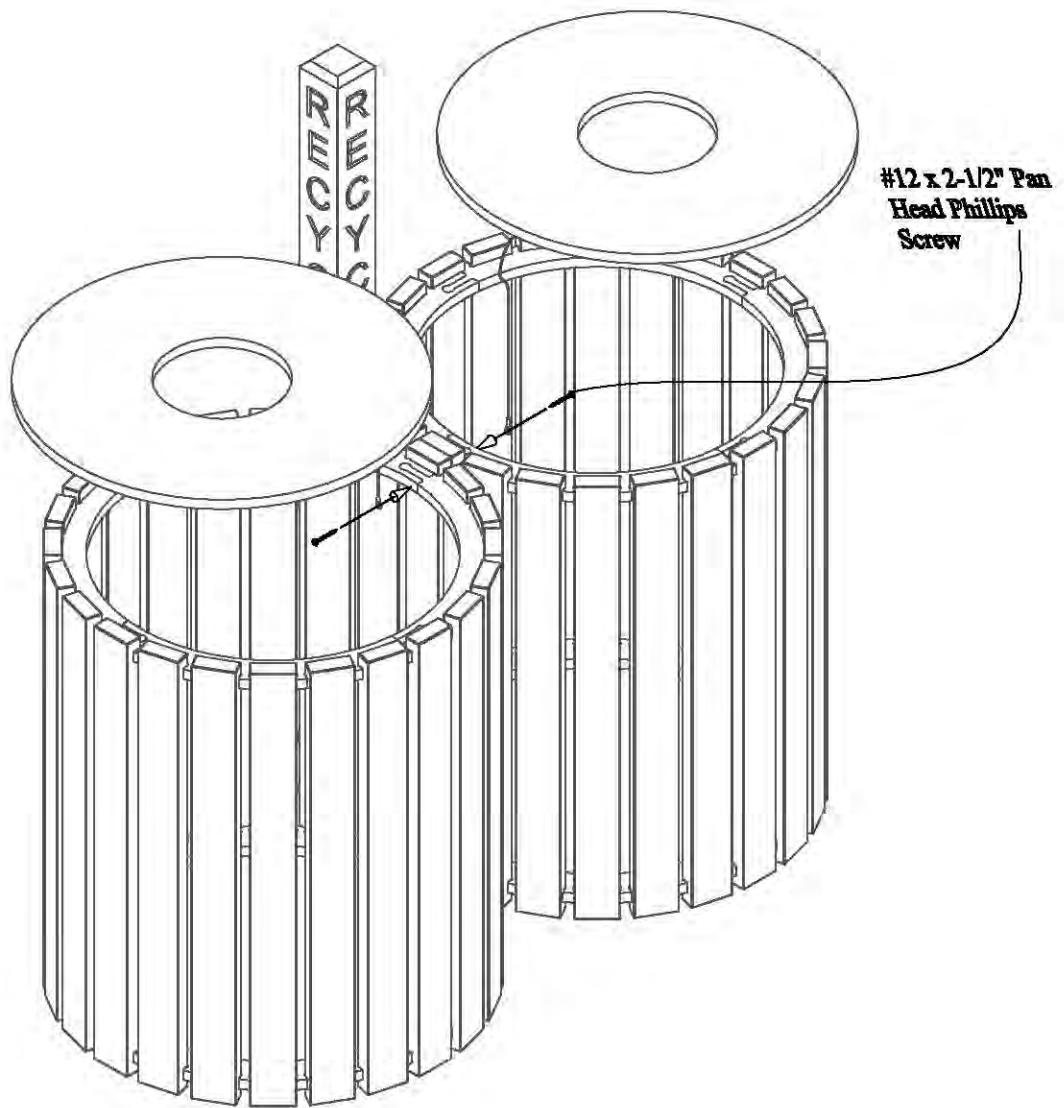
Step 4: Place boards G and F in the alignment shown above making sure to note where quarter-panel A is relative to board F. Once you have the holes in the boards aligned with the holes in the rail, insert (1) - One #12 x 2-1/2" Pan Head Phillips Screw per hole. Make sure both screws are all the way in and tight on the top rail. Once you have gone all of the way around the top rail flip the trash can up side-down-and repeat the previous steps to complete the bottom rail. (Note: Please be careful to not over tighten the screws.)



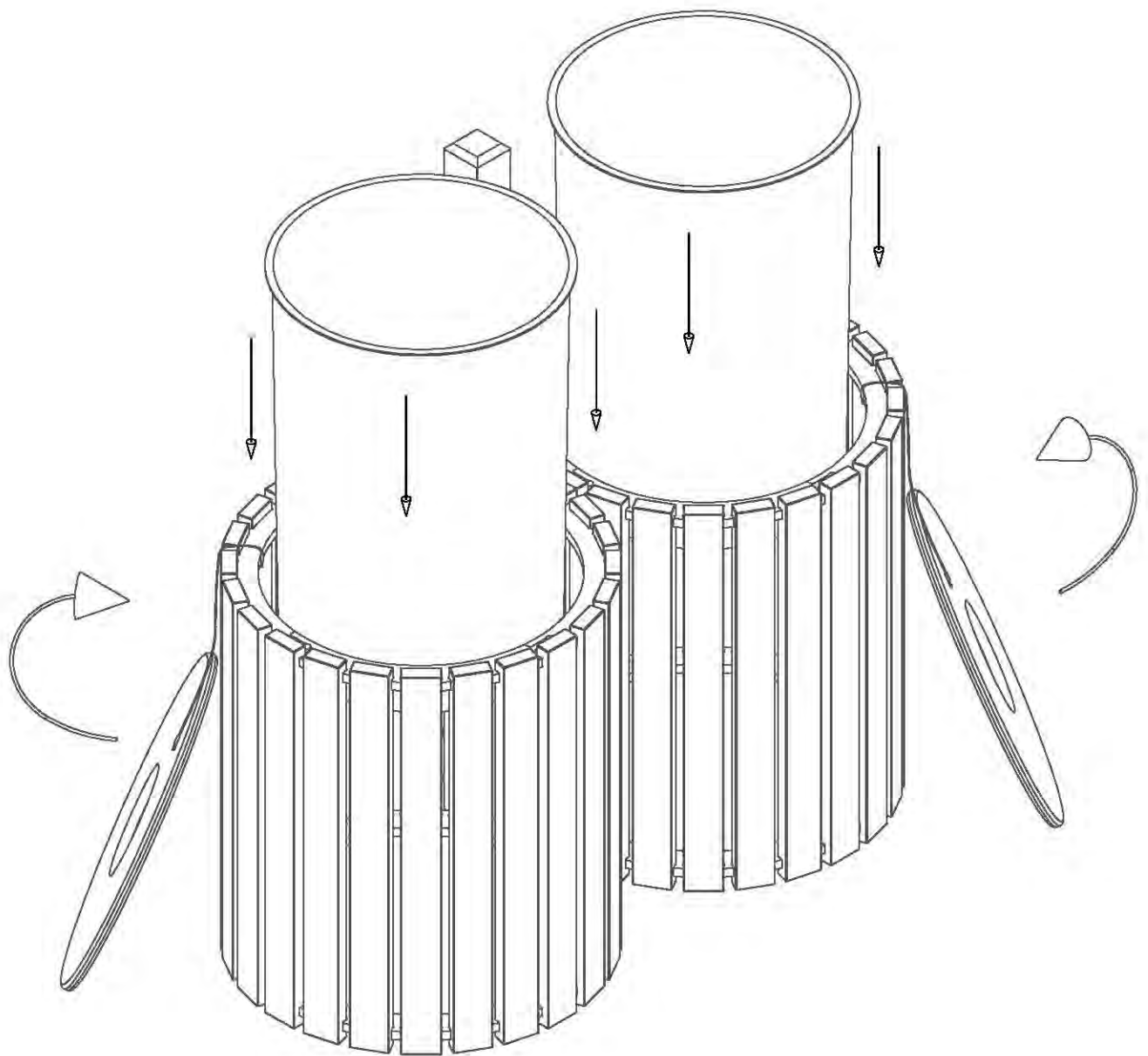
Step 6: Place the receptacles into position as shown above, with board F on the receptacles being opposite of each other. Align the thru hole in one board F with the pilot holes in the opposite board F. Fasten together with (1) - One #12 x 2-1/2" Flat Head Phillips Screw per hole.



Step 7: Align the steel bracket to the pilot holes in the Post and the receptacles as shown. Fasten together with (1) - One #12 x 1-1/2" Pan Head Phillips Screw per hole.



Step 8: Remove (1) - One #12 x 2-1/2" Pan Head Phillips Screw at desired location for lid lanyard location. Reinstall the screw to anchor the lanyard to the receptacle.



Step 9: Place the 49 gal. Trash liner in the vertical position and slide inside the outer ring. Place the Circular Lid on the top resting it on the top rail.

DEAR VALUED CUSTOMER,

THANK YOU FOR PURCHASING THIS PRODUCT. THIS PRODUCT IS MANUFACTURED USING RECYCLED MATERIALS AND MAY HAVE SLIGHT COLOR VARIATIONS, OCCASIONAL SPECKS OF COLOR OR IRREGULAR SURFACE PATTERNS. THESE ARE NORMAL CONDITIONS OF RECYCLED PLASTICS AND MAKE EACH PIECE OF FURNITURE UNIQUE. THESE CHARACTERISTICS DO NOT AFFECT THE STRENGTH, QUALITY OR PERFORMANCE OF THE PRODUCT.

THANK YOU AGAIN FOR PURCHASING THIS PRODUCT AND HELPING OUR ENVIRONMENT.