

The 49 Gallon Receptacles

ASM-RT49 • ASM-RT49C • ASM-2RT49 • ASM-3RT49

ASM-RT49
Brown Color



ASM-RT49C
Green Color



The 49-Gallon Round Receptacles are sturdy and durable containers, offering our largest capacity at an affordable price. It is constructed entirely from recycled plastic, using 3"x 1^{1/4}" colored planks fastened from the interior of the black frame with stainless steel screws. The single unit is available with the option of a rain-cap lid, or a flat open lid. Includes rigid liner to hold trash bags and for easy emptying.

*See back of page for
details and measurements*

TERRA BOUND
SOLUTIONS™



Proudly made
in the USA



Eco-Friendly Products



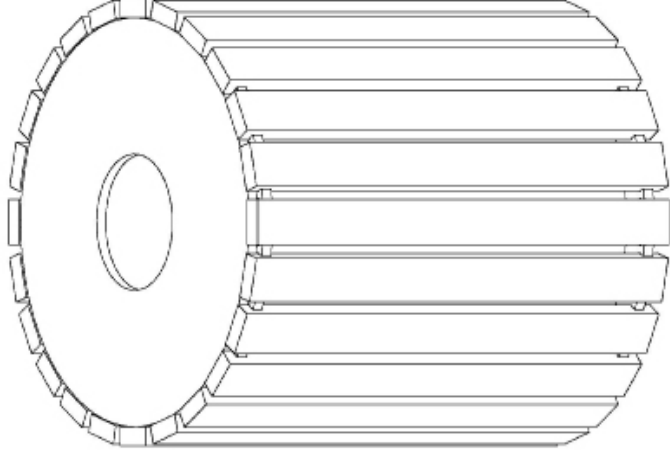
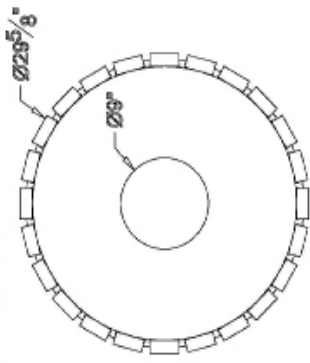
100% Recycled
Product



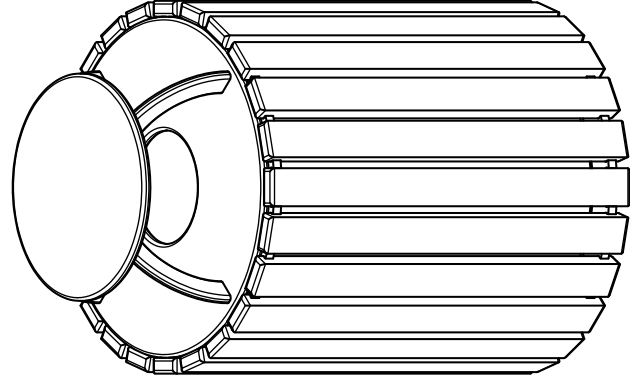
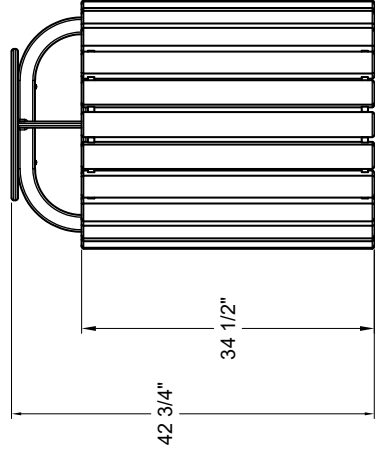
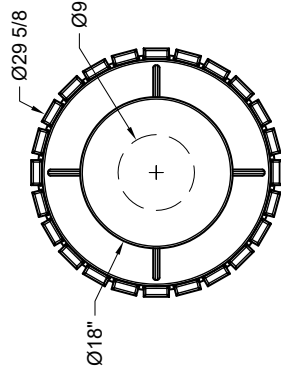
1-877-857-2915
terraboundsolutions.com

RT49 & RT49C Round Receptacles

ASM-RT49



ASM-RT49C



Seat Color Options

- Heavy duty/weather resistant/maintenance free!
- No need to stain or paint
- Resists fading, peeling and graffiti as the color is molded all the way through
- Can be surface mounted with brackets (sold separately)
- Stainless steel fasteners do not corrode nor rust



The 49 Gallon Receptacles

ASM-RT49 • ASM-RT49C • ASM-2RT49 • ASM-3RT49

TERRA BOUND
SOLUTIONS™

ASM-2RT49
Weathered Wood



ASM-3RT49
Cedar



The double and triple 49 gallon round recycling centers are connected to a 6 foot tall 4x4 post that is engraved on all four sides. Lids can also be engraved to identify and encourage the separation of different recyclable materials from trash.

*See back of page for
details and measurements*



Proudly made
in the USA



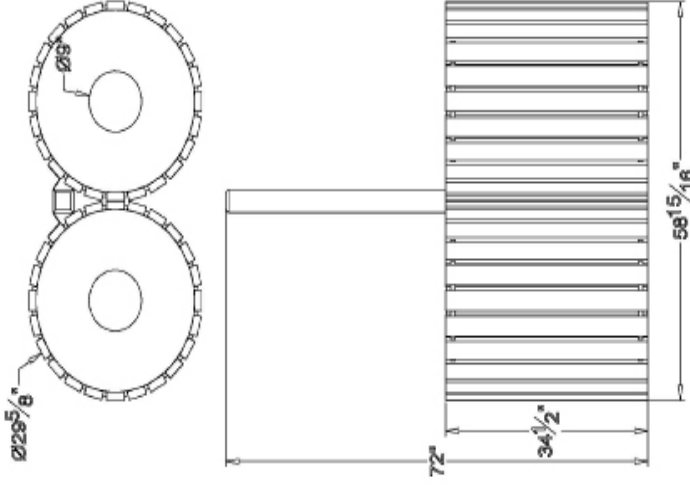
Eco-Friendly Products



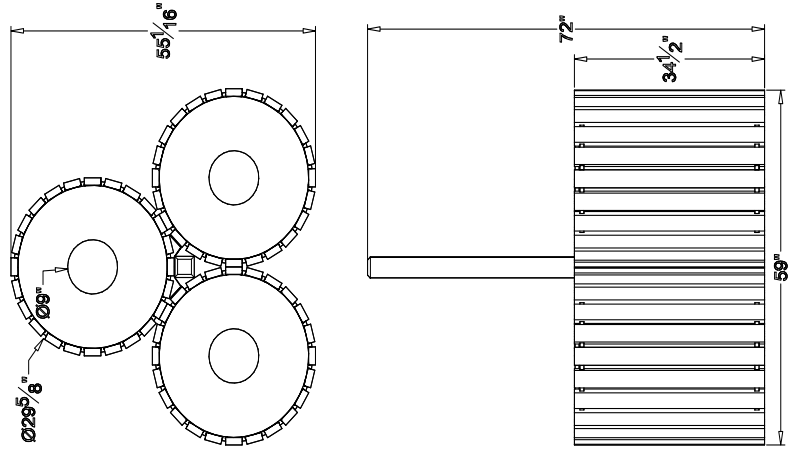
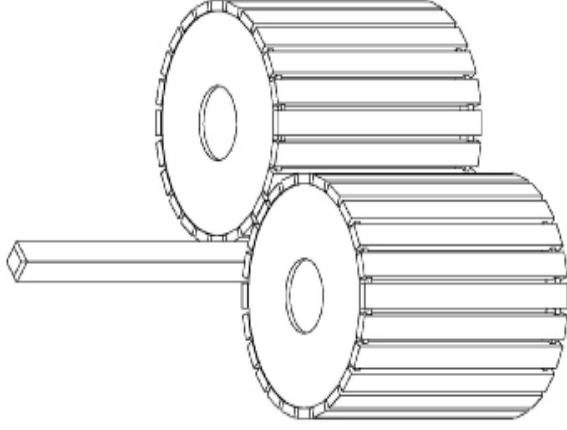
100% Recycled
Product



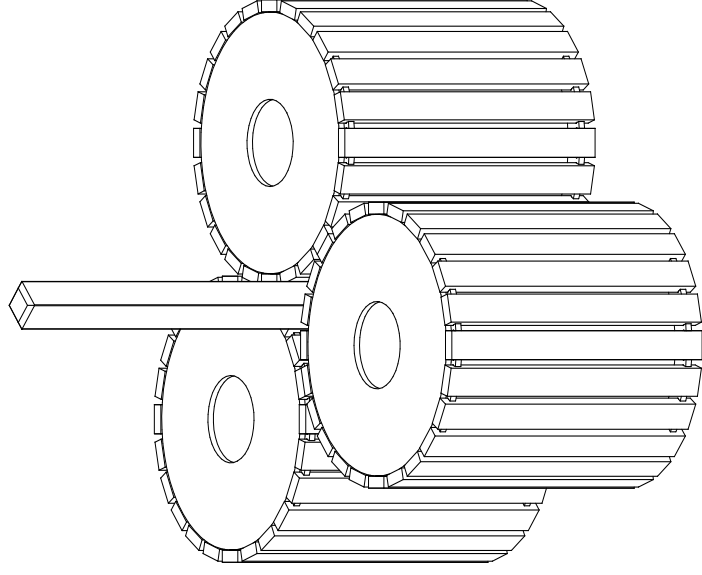
2RT49 & 3RT49 Round Receptacle



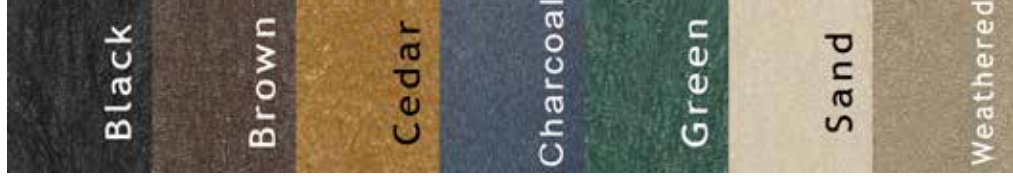
ASM-2RT49



ASM-3RT49



Seat Color Options



- Heavy duty/weather resistant/maintenance free!
- No need to stain or paint
- Resists fading, peeling and graffiti as the color is molded all the way through
- Can be surface mounted with brackets (sold separately)
- Stainless steel fasteners do not corrode nor rust