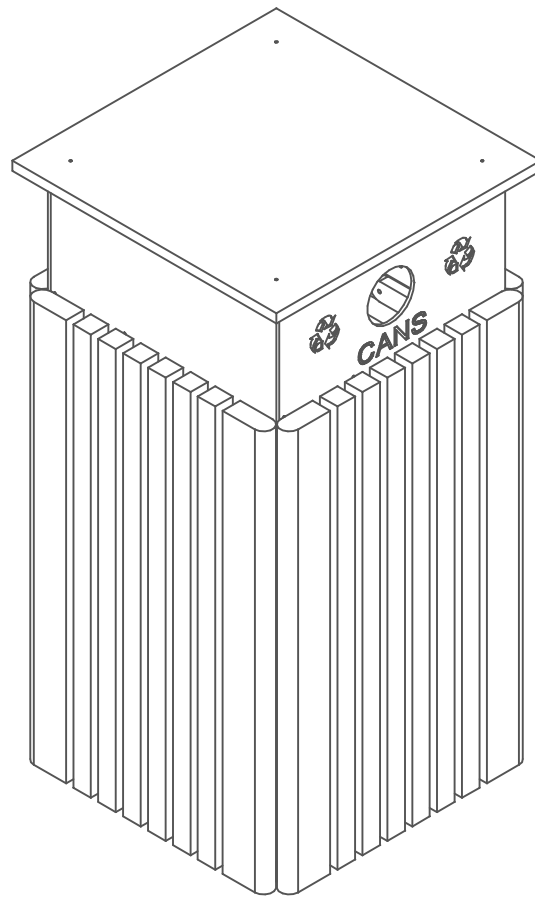


# 40 Gallon Recycle Receptacle

With Can Cap

For Fastener Pack  
(FP-R40C-CA-CU-03)

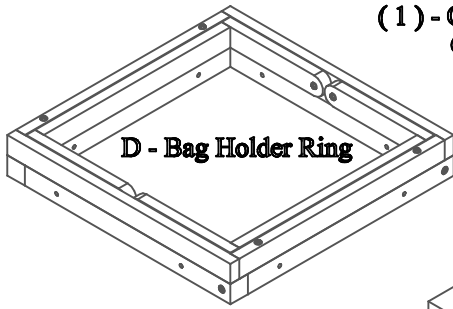


Congratulations ! !

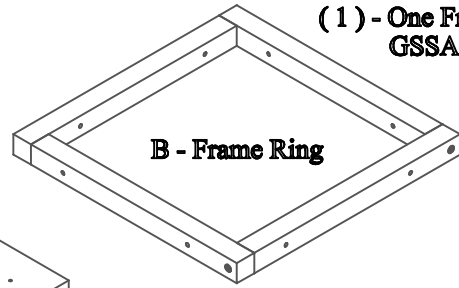
You have just purchased the finest recycled plastic  
recycle receptacle available. Enjoy ! ! !

Before assembly, please make sure all components are included.

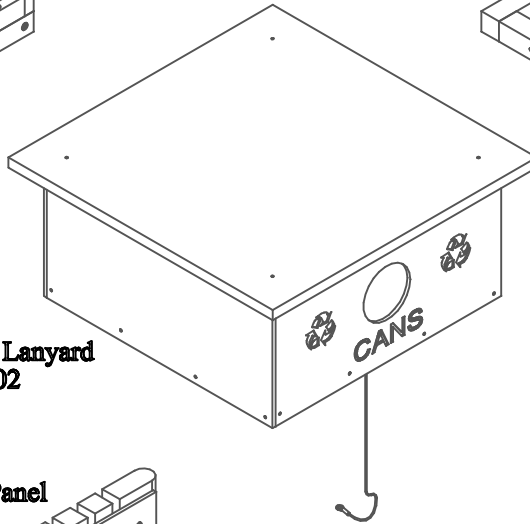
(1) - One Bag Holder Ring  
GSSA-T40-C-01



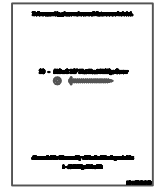
(1) - One Frame Ring  
GSSA-TRPB-A-01



(1) - One Can Cap with Lanyard  
GSSA-R40C-CA-02

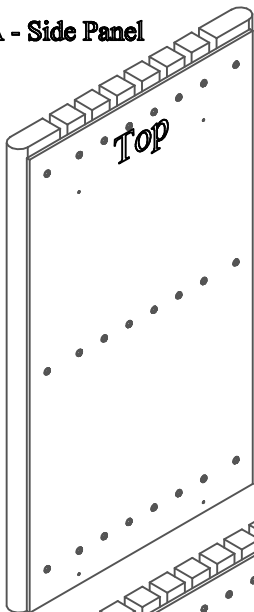


FP - Fastener Pack

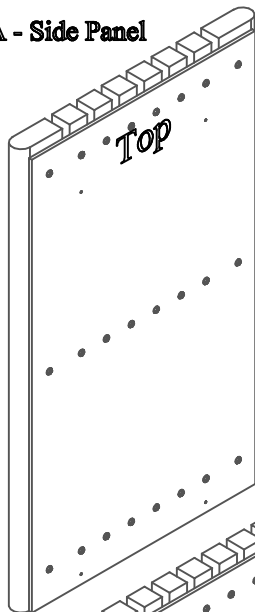


(1) - One Fastener Pack  
FP-R40C-CA-CU-03

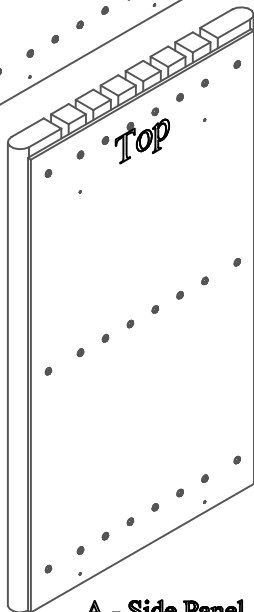
A - Side Panel



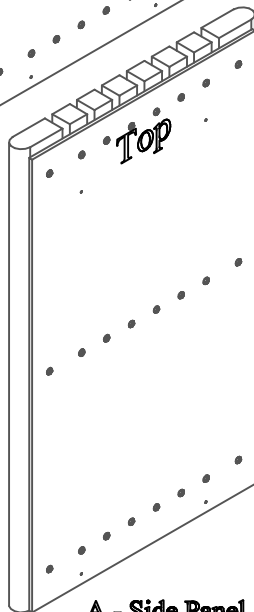
A - Side Panel



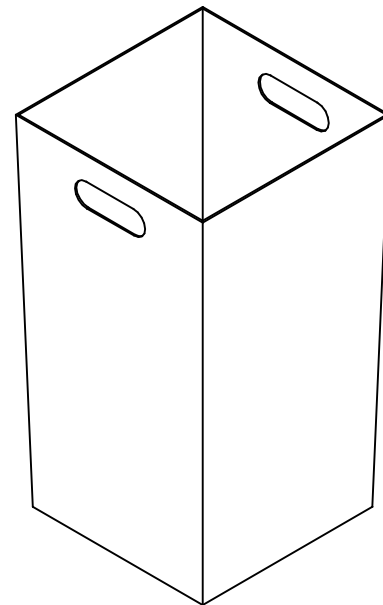
(4) - Four Side Panels  
GSSA-T40-A-02



A - Side Panel



A - Side Panel



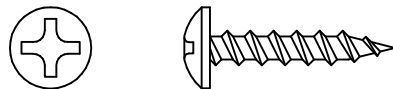
(1) - One Trash can Liner  
S7850-03-159

Before assembly, please make sure all fasteners are included.

16 - #12 x 2 1/2" Flat Head Phillips Screw



1 - #12 x 1" Pan Head Phillips Screw

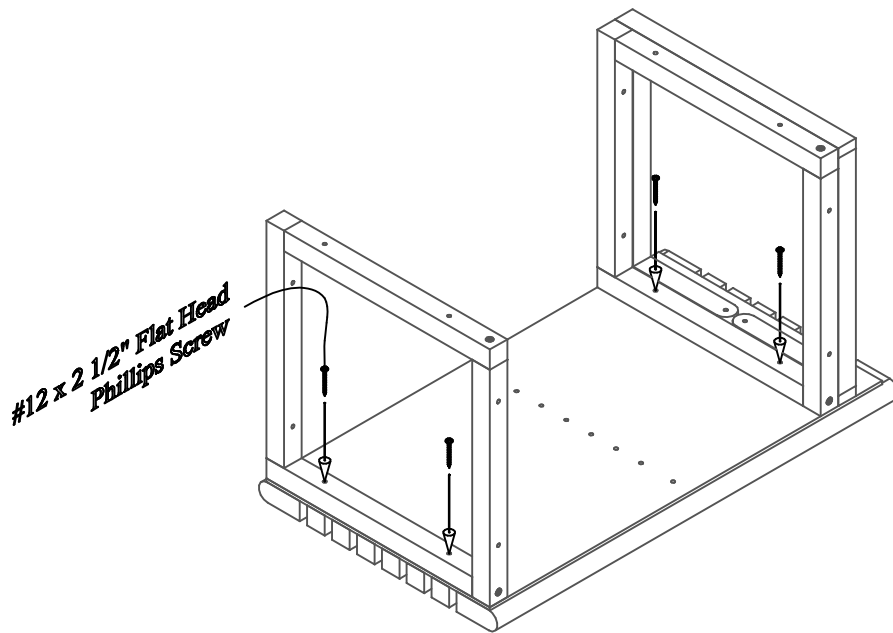


Also needed for this assembly will be the following materials:

1 - #3 Phillips Drive Bit

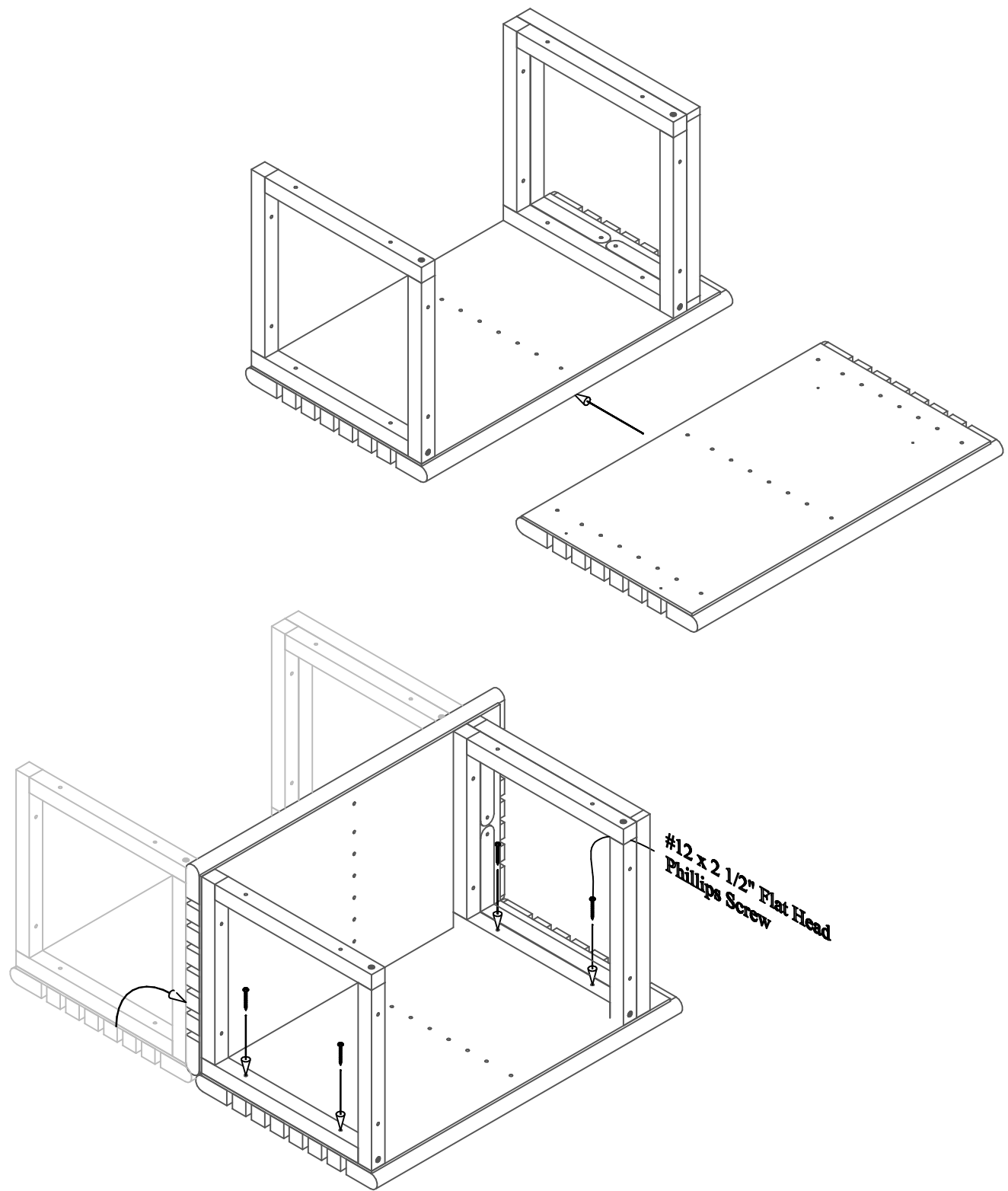
**\*IMPORTANT NOTICE\*:**

- \* DO NOT OVER-TIGHTEN SCREWS.
- \* USE A DRILL WITH ADJUSTABLE TORQUE FOR BEST RESULTS.
- \* OVER-TIGHTENING MAY RESULT IN STRIPPING OUT THE PILOT HOLE, AND SCREW MAY "SINK" INTO THE PLASTIC WHICH MAY CAUSE A STRESS FRACTURE.



**Step #1:**

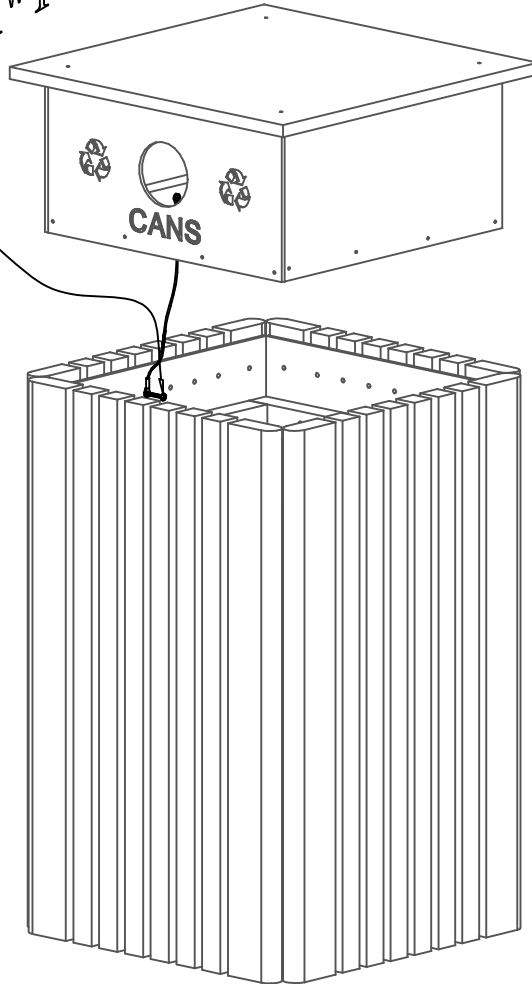
Lay a Side Panel as shown. Place the Bag Holder Ring at the top of the panel and the Frame Ring at the bottom of the panel as shown in the above diagram. Fasten using (1) one 2-1/2" flat head phillips screw per hole.



## Step #2:

Place another Side Panel beside the previous panel so that it touches as displayed in the diagram above. Gently turn the side panel with the rings installed onto the new side panel. Fasten using (1) one 2-1/2" flat head phillips screw per hole. Repeat this step for the rest of the Side Panels.

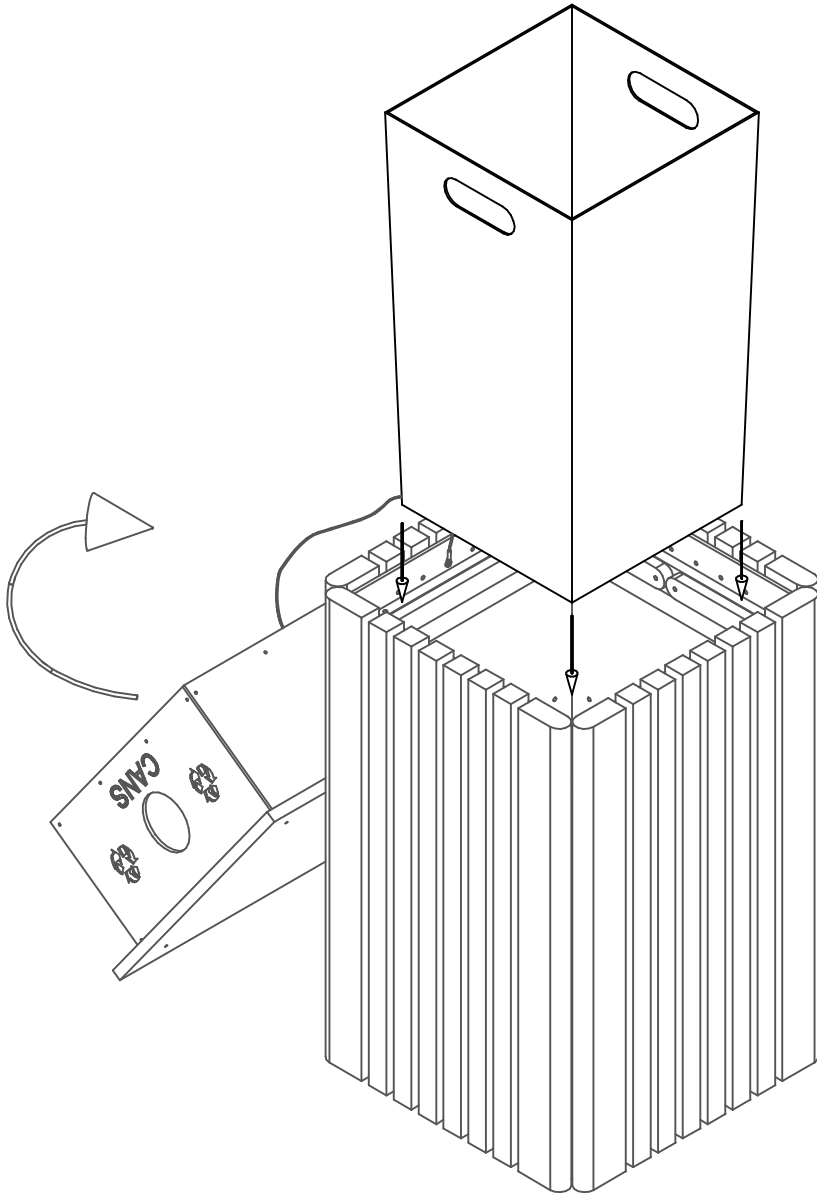
*Remove a screw from the top row and replace it with the supplied #12 x 1" Pan Head Phillips Screw*



### Step #3:

Turn the trash receptacle upright onto its base. Please use caution while moving. At this point in assembly the receptacle will weigh approximately 145 pounds. Remove one of the screws from the top row of screws and swap it out for the supplied #12 x 1" Pan Head Phillips Screw. Secure it with the lanyard eyelet captured by the screw.

ATTN: This cap is not meant to hang. Use caution when removing the cap and carefully place it on the ground. If you don't want to take advantage of the supplied lanyard, simply remove the screw attaching it to the cap.



**Step #4:**

Place the Trash liner inside the base as shown. Carefully flip the cap onto the base letting it rest on the inner edge of the side panels.

DEAR VALUED CUSTOMER,

THANK YOU FOR PURCHASING THIS PRODUCT. THIS PRODUCT IS MANUFACTURED USING RECYCLED MATERIALS AND MAY HAVE SLIGHT COLOR VARIATIONS, OCCASIONAL SPECKS OF COLOR OR IRREGULAR SURFACE PATTERNS. THESE ARE NORMAL CONDITIONS OF RECYCLED PLASTICS AND MAKE EACH PIECE OF FURNITURE UNIQUE. THESE CHARACTERISTICS DO NOT AFFECT THE STRENGTH, QUALITY OR PERFORMANCE OF THE PRODUCT.

THANK YOU AGAIN FOR PURCHASING THIS PRODUCT AND HELPING OUR ENVIRONMENT.