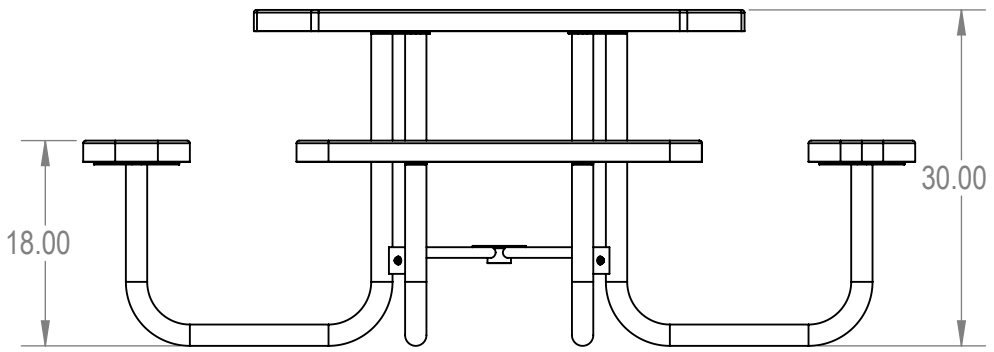
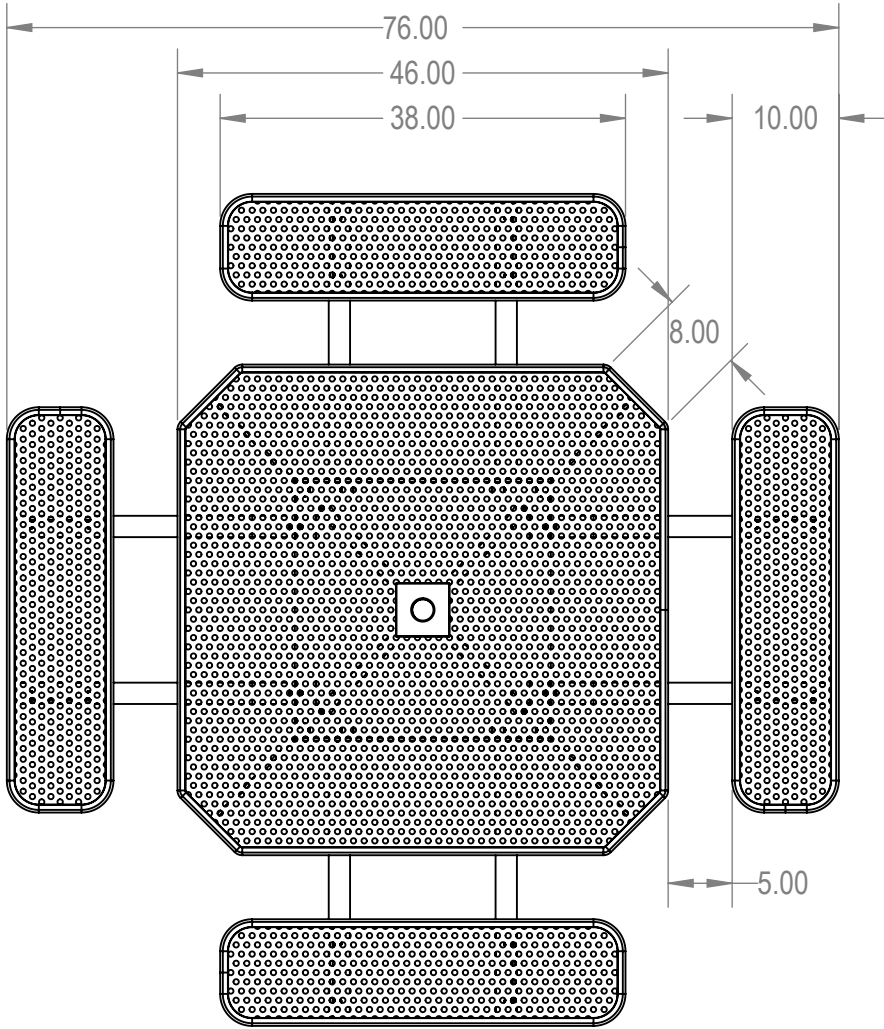


Model Numbers:
 TOT46-B-04-000 - Advantage Coating
 TOT46-D-04-000 - Industry Standard Coating



PROPRIETARY AND CONFIDENTIAL
 THE INFORMATION CONTAINED IN THIS DRAWING IS THE SOLE PROPERTY OF Advantage Panels & Fence, Inc. PO Box 1790 Whitney, TX. ANY REPRODUCTION IN PART OR AS A WHOLE WITHOUT THE WRITTEN PERMISSION OF Advantage Panels & Fence, Inc. PO Box 1790 Whitney, TX. IS PROHIBITED.

	NAME	DATE
DRAWN	GM	1/8/2016
SALES APPR.		
CLIENT APPR.		
MFG APPR.		
Q.A.		

Design By -

AAdvantage Panels & Fence, Inc.		
TITLE: 46" Octagon Table - Portable		
Perforated Metal Version		
SIZE A	DWG. NO.	REV
WEIGHT:		SHEET 3 OF 3