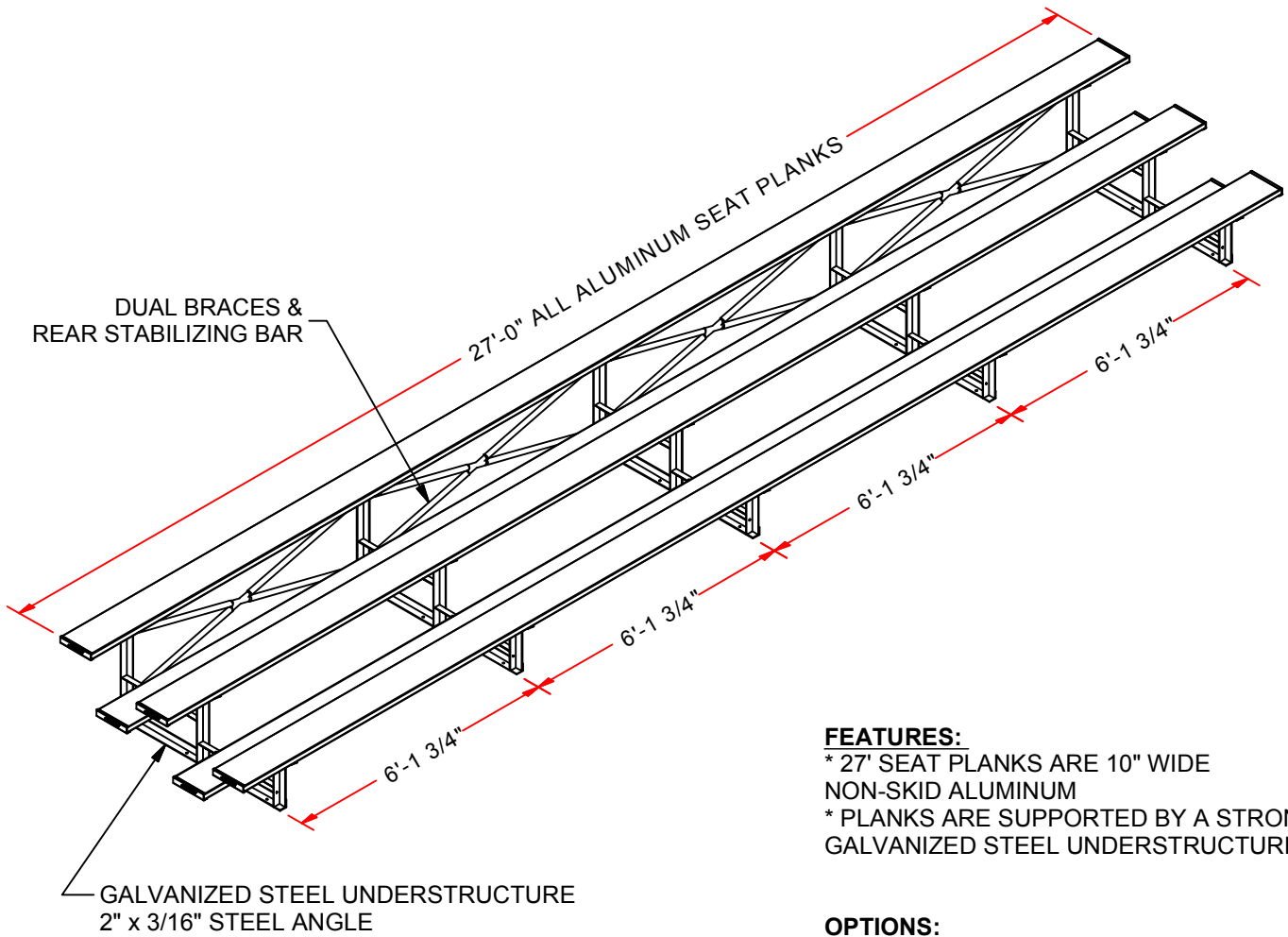


BLCH-327

27' ALUMINUM BLEACHER W/ GALVANIZED STEEL UNDER CARRIAGE

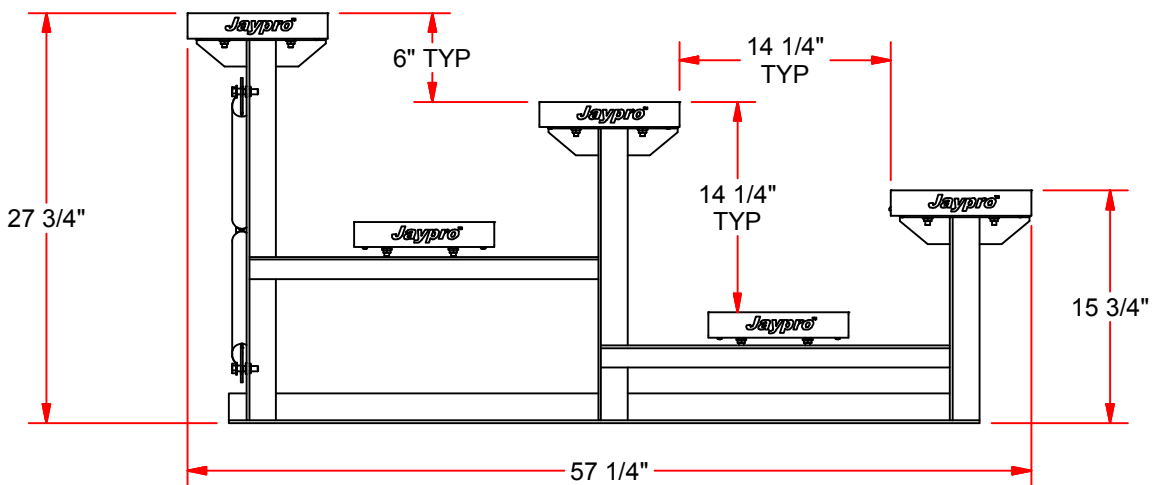


FEATURES:

- * 27' SEAT PLANKS ARE 10" WIDE NON-SKID ALUMINUM
- * PLANKS ARE SUPPORTED BY A STRONG, GALVANIZED STEEL UNDERSTRUCTURE

OPTIONS:

- * CUSTOM POWDER COATED COLORS



REV.	DESCRIPTION	DATE	BY
-	INITIAL RELEASE	7/7	MT

COPYRIGHT 2006
JAYPRO SPORTS, LLC.
ALL RIGHTS RESERVED

BLCH-327
27' ALUMINUM BLEACHER W/ GALVANIZED STEEL UNDER CARRIAGE

THIS PRINT IS THE PROPERTY OF JAYPRO SPORTS, LLC.
AND MAY NOT BE REPRODUCED WITHOUT WRITTEN PERMISSION



DRAWING NAME / PART NUMBER: BLCH-327	
DRAWN BY: Moone T.	ISSUE DATE: 7/7/2010
CHK'D BY: WVB	CHK'D DATE: 7/7/2010
SHEET: 1 OF 1	REV. -