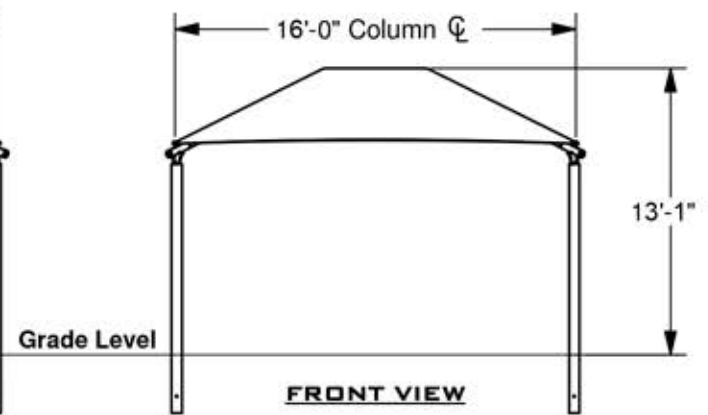
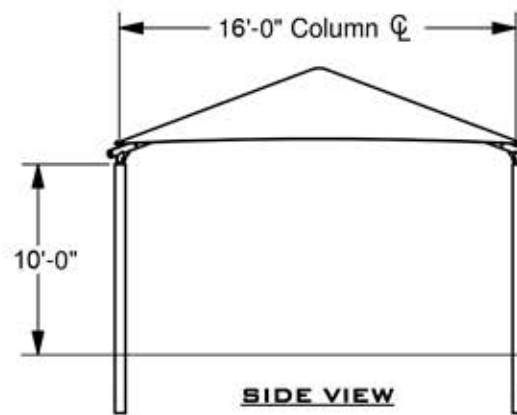


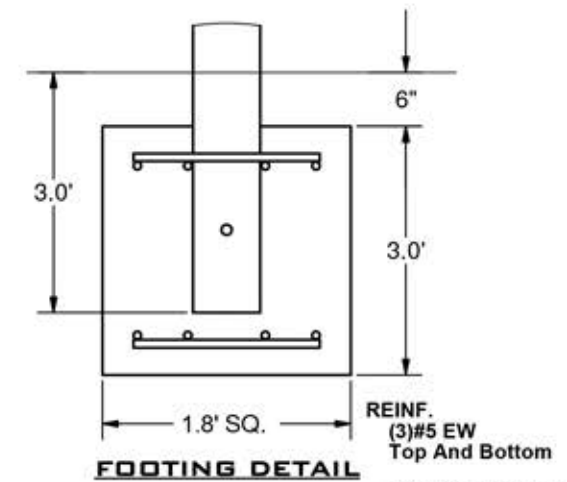
SQUARE HIP SHADE

16' x 16' x 10'

MODEL #:
SD161610IG (With Glide Elbows)
SD161610IN (Without Glide Elbows)



REF.#	PART DESCRIPTION	QTY.
1	Ø5.0" Capped Embedded Column	4
2	Angled Elbow	4
3	Ø2.5" Hip Rafter w/ Swaged End	4
4	Ø2.5" Ridge Pole w/ Swaged Ends	1
5	Square "Y" Connection	2
6	Fabric Cover w/ Cable Insert	1
7	Frame Hardware Kit	1



*Footing design based on 1500 PSF soil bearing pressure.