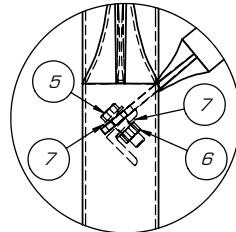
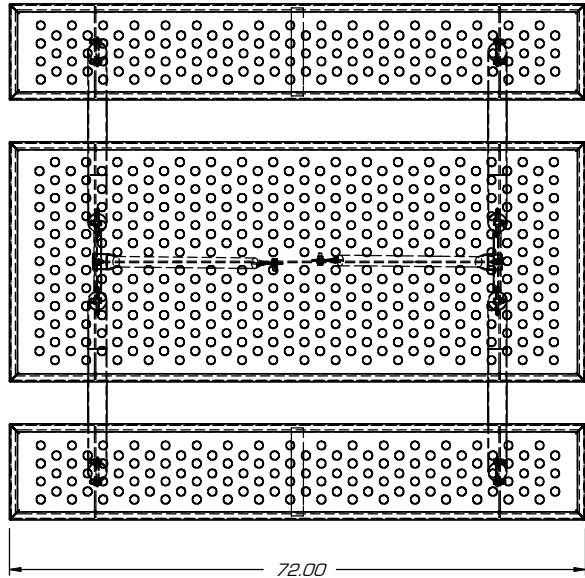
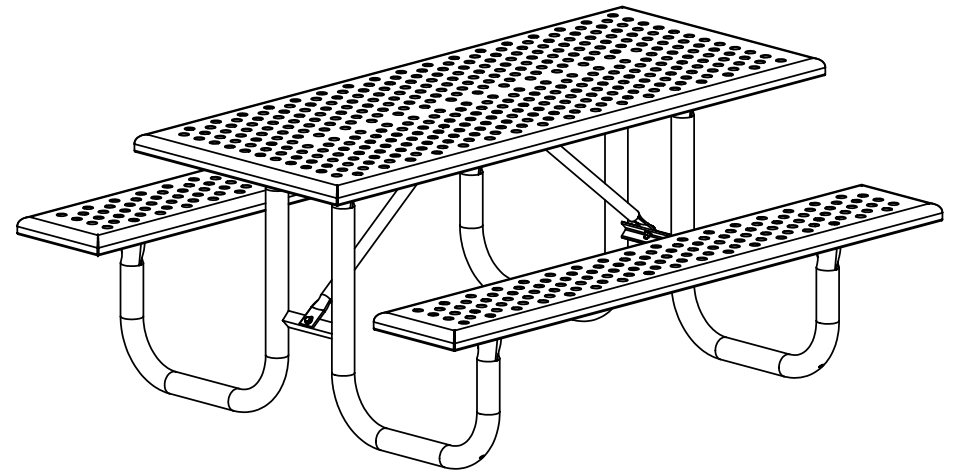
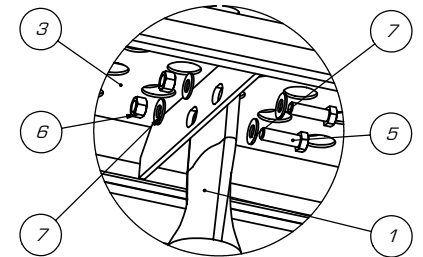


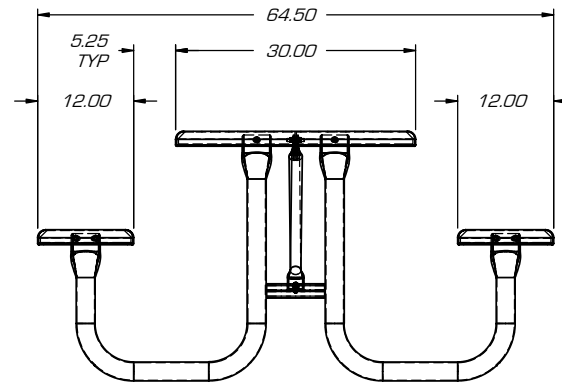
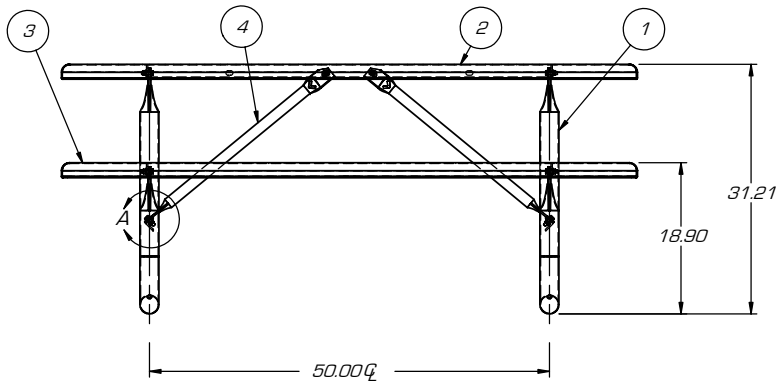
# ASSEMBLY INSTRUCTIONS AND SPECIFICATIONS



DETAIL A  
BRACE FASTENING



SEAT & TOP FASTENING DETAIL



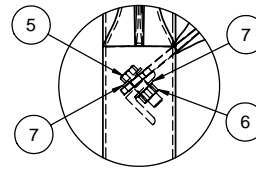
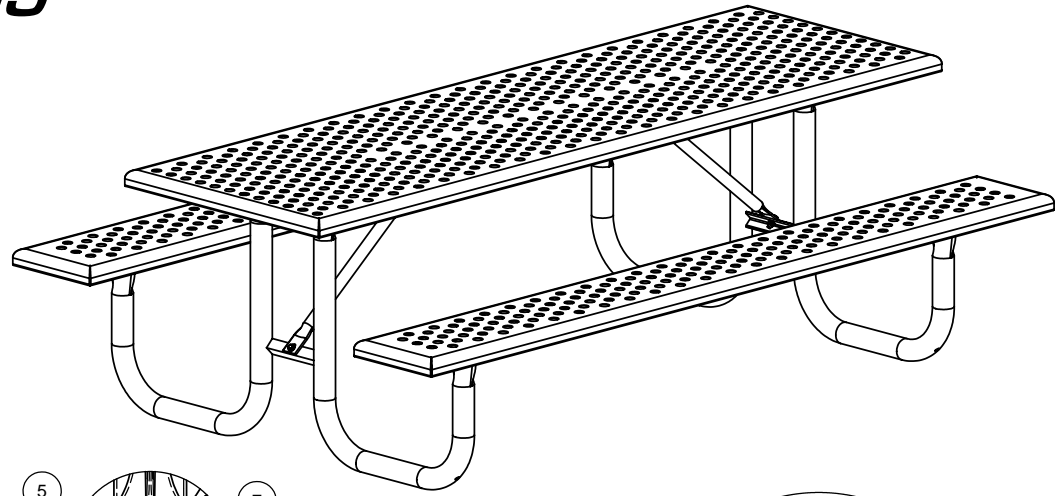
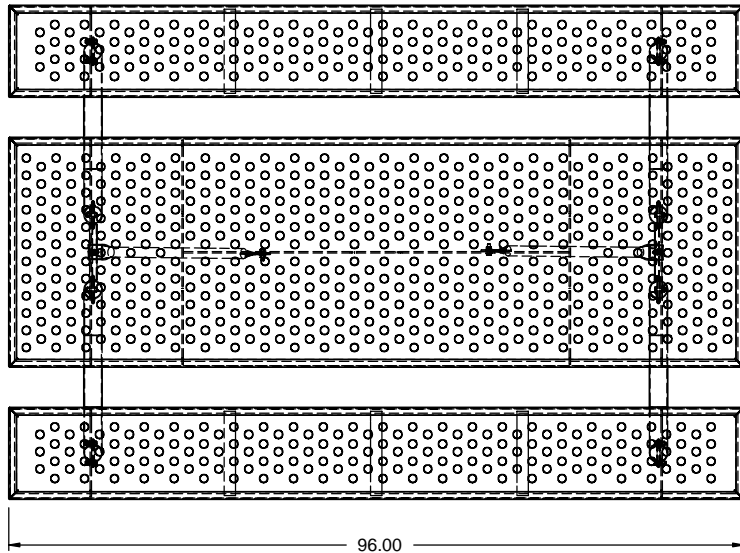
**MATERIAL SPECIFICATIONS:**  
 TOPS & SEATS - 13 GA HR PLASTISOL COATED  
 LEGS - 2-3/8" DIA x .095" ILG TUBING  
 BRACE - 1.315" DIA x .083" ILG TUBING  
 BRACKETS - 7 GA HR

ITEM NO.	DESCRIPTION	PART NO.	QTY.
1	PICNIC TABLE FRAME, HEAVY DUTY ILG	51123800	2
2	6 FT TABLE TOP, PERFORATED	01265600	1
3	6 FT SEAT, PERFORATED	01265400	2
4	TABLE BRACE	51045600	2
5	3/8-16 x 1.25 HHCS SS	104067	16
6	HEX NUT, 3/8-16 SS	200009776	16
7	FLAT WASHER, 3/8 ANSI TYPE A SS	117005	32

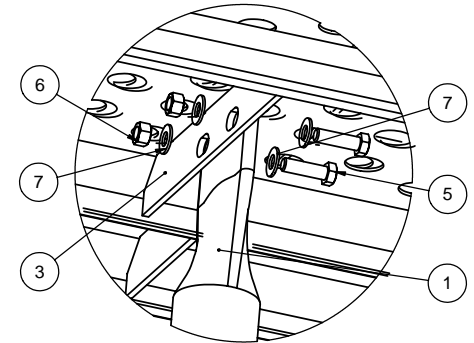
**PICNIC TABLE, HEAVY DUTY, 6 FT PERF STEEL, PAINTED**

**MODEL: PTH-6PS (71132100)**

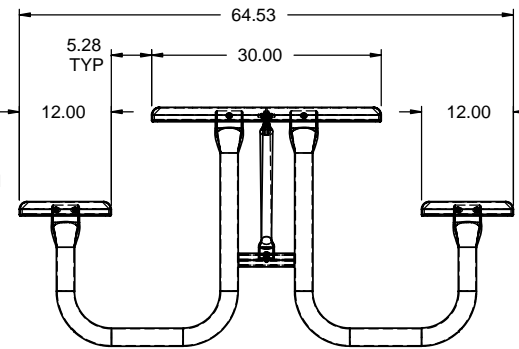
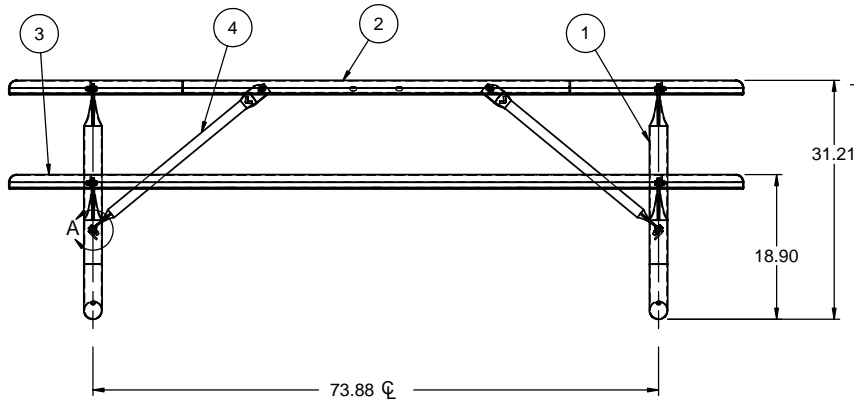
# ASSEMBLY INSTRUCTIONS AND SPECIFICATIONS



DETAIL A  
BRACE FASTENING



SEAT & TOP FASTENING DETAIL



### MATERIAL SPECIFICATIONS:

TOPS & SEATS - 13 GA HR PLASTISOL COATED  
LEGS - 2-3/8" DIA x .095" ILG TUBING  
BRACE - 1.315" DIA x .083" ILG TUBING  
BRACKETS - 7 GA HR

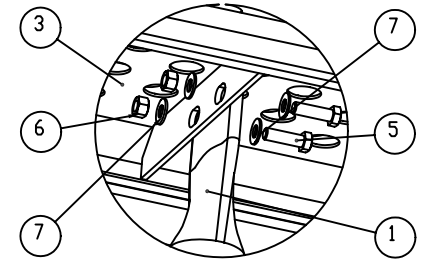
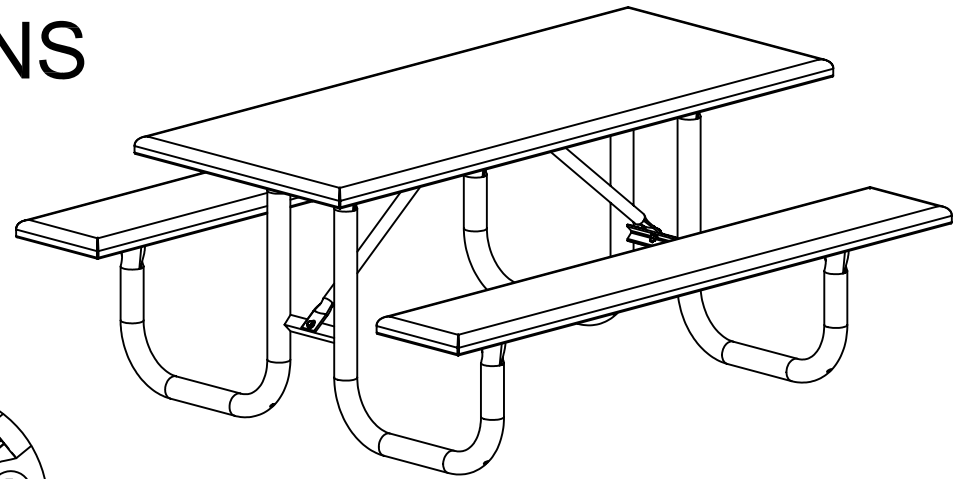
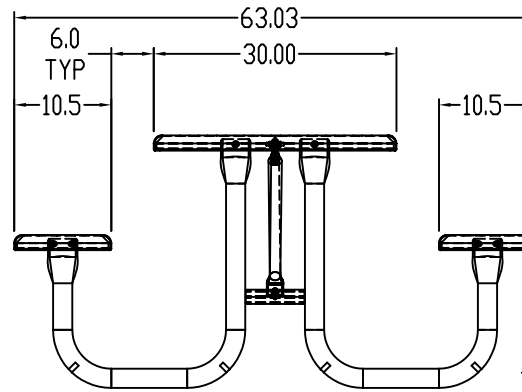
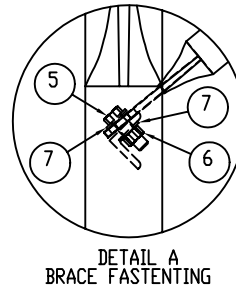
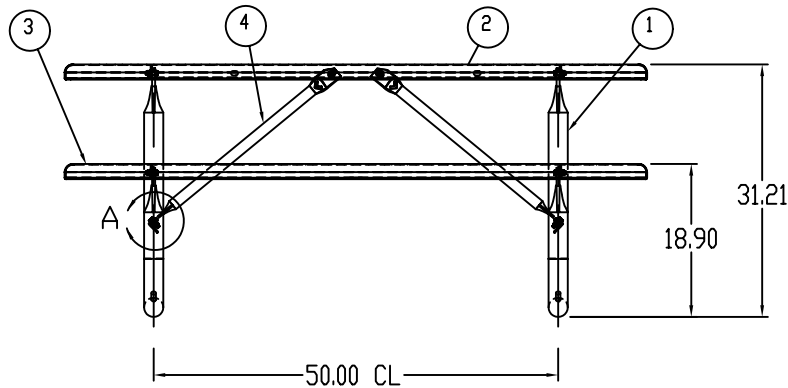
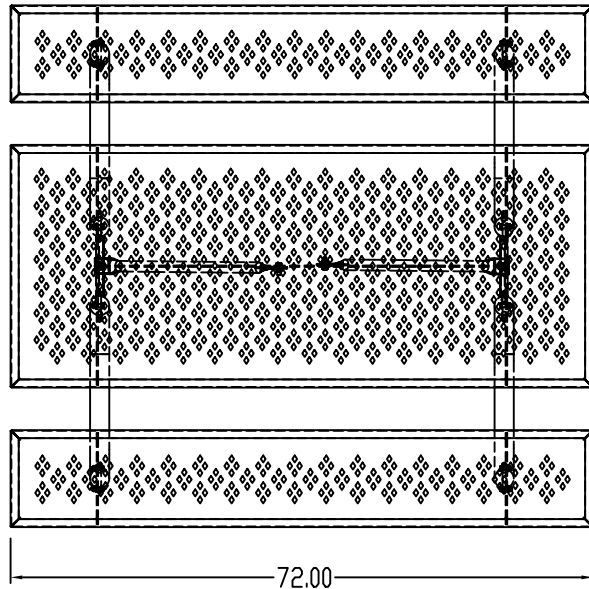
ITEM NO.	DESCRIPTION	PART NO.	QTY.
1	PICNIC TABLE FRAME, HEAVY DUTY ILG	51123800	2
2	8 FT TABLE TOP, PERFORATED	01265700	1
3	8 FT SEAT, PERFORATED	01265500	2
4	TABLE BRACE	51045600	2
5	3/8-16 x 1.25 HHCS SS	104067	16
6	HEX NUT, 3/8-16 SS	200009776	16
7	FLAT WASHER, 3/8 ANSI TYPE A SS	117005	32

UNLESS OTHERWISE SPECIFIED, DIMENSIONS ARE IN INCHES

**PICNIC TABLE, HEAVY DUTY, 8 FT PERF STEEL, PAINTED**

**MODEL: PTH-8PS (71132200)**

# ASSEMBLY INSTRUCTIONS AND SPECIFICATIONS



SEAT & TOP FASTENING DETAIL

## MATERIAL SPECIFICATIONS:

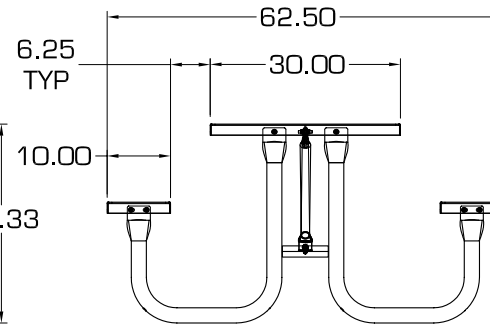
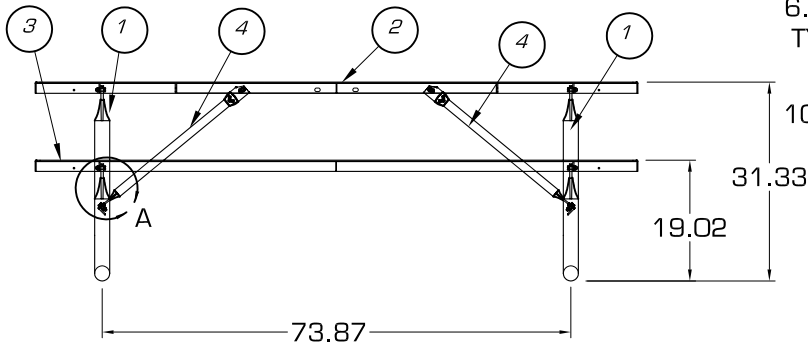
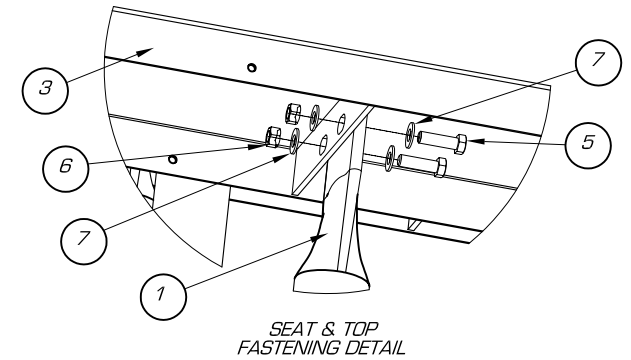
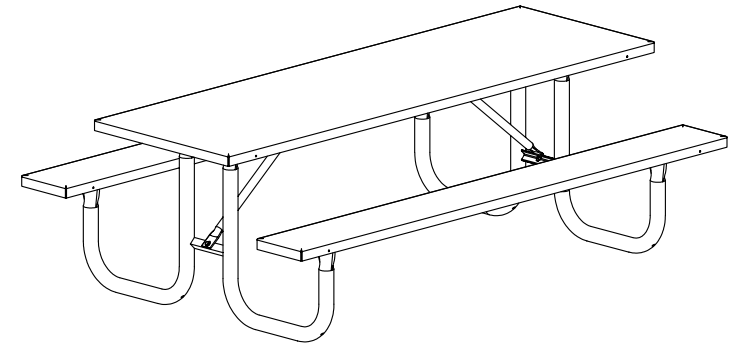
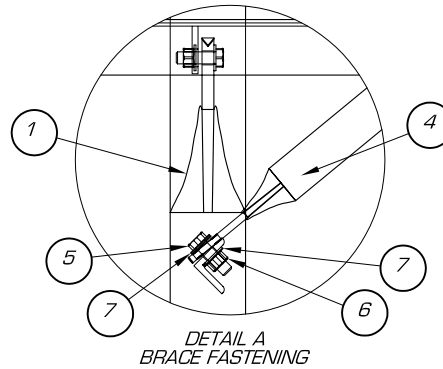
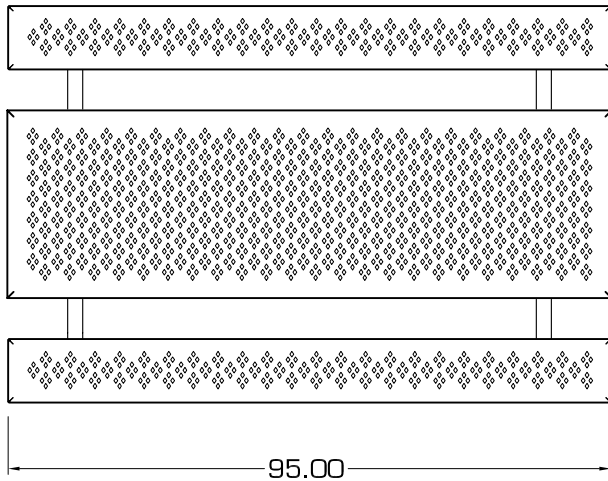
- TOPS & SEATS - 13 GA HR PLASTISOL COATED
- LEGS - 2-3/8" DIA x .095" ILG TUBING
- BRACE - 1.315" DIA x .083" ILG TUBING
- BRACKETS - 7 GA HR

ITEM NO.	DESCRIPTION	PART NO.	QTY.
1	PICNIC TABLE FRAME, HEAVY DUTY ILG	51123800	2
2	6 FT TABLE TOP, DIAMOND PERFORATED	01295000	1
3	6 FT SEAT, DIAMOND PERFORATED	01294700	2
4	TABLE BRACE	51045600	2
5	3/8-16 x 1.25 HHCS SS	104067	16
6	HEX NUT, 3/8-16 SS	200009776	16
7	FLAT WASHER, 3/8 ANSI TYPE A SS	117005	32

PICNIC TABLE, HEAVY DUTY, 6 ft. Diamond Perforation Pattern, Painted Frame  
MODEL: PTH-6PE (71132400)

# ASSEMBLY INSTRUCTIONS

## AND SPECIFICATIONS



### MATERIAL SPECIFICATIONS:

TOPS & SEATS (SURFACE)  
- PLASTISOL COATED 13 GA. STEEL

LEGS - 2-3/8" DIA x .095" ILG TUBING  
BRACE - 1.315" DIA x .083" ILG TUBING

BRACKETS - 7 GA HR

ITEM NO.	DESCRIPTION	PART NO.	QTY.
1	PICNIC TABLE FRAME, HD, ILG	51123800	2
2	DIAMOND PERF. TABLE TOP, 8 FT	51094000	1
3	DIAMOND PERF. SEAT, 8 FT	51094400	2
4	TABLE BRACE	51045600	2
5	3/8-16 x 1.25 HHCS SS	104067	16
6	HEX NUT, 3/8-16 SS	200009776	16
7	FLAT WASHER, 3/8 ANSI TYPE A SS	117005	32

PICNIC TABLE, Heavy Duty, 8 ft., Diamond Perf. Steel, Painted Frame  
MODEL: 71132500 (PTH-8PE)