

Model # 338SM-R48

WARRANTY: 5 Year Limited Warranty on Thermoplastic coated elements. Ultra Play guarantees all items for one full year to be free of defects in workmanship or materials when installed and maintained properly. We agree to repair or replace, any items determined to be defective. Items specifically not covered by this warranty include vandalism, man made or natural disasters, lack of maintenance, normal weathering or wear and tear due to public abuse.

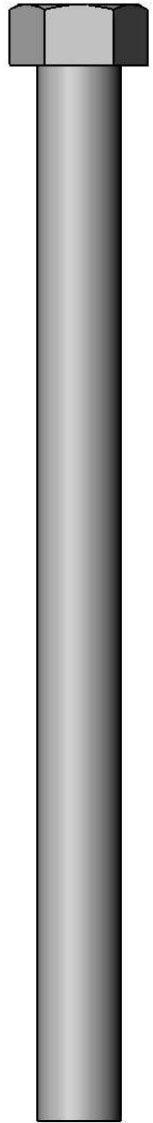
Damages or loss in transit is the responsibility of the carrier, whether visible or concealed. It is the responsibility of the recipient to assure that the order is received complete. Before signing the delivery receipt, inspect the shipment immediately and completely. Note any damages or shortages on the bill of lading. Damage reports must be filed within 10 days. Ultra Play is NOT responsible for damages or loss in transit. Title to all goods passes to the customer at the time of shipment. Ultra Play will assist in filing claims if the freight arrangements were made by Ultra Play at your request.

CANCELLATIONS AND RETURNS: Cancellations are only accepted with approval of Ultra Play. No merchandise shall be returned without a Return Goods Authorization number which is issued by customer service. Any authorized merchandise must be carefully packed and received in saleable condition. A restocking charge of up to 25% will be applied to all returned goods when the error is not the fault of Ultra Play. All returns must be shipped freight prepaid.

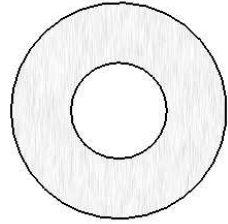
SAFETY WARNINGS & EQUIPMENT INSPECTION

- Owners and installers please note these safety warnings and make use of this checklist on a regular basis.
- Follow installation instructions when erecting equipment.
- Ground surfaces around equipment should be restored as needed. Concrete footings should never be exposed. Surface depth should comply with ASTM and CPSC specifications.
- Check for and repair damage caused by wear or vandalism, a major factor in injury causing situations.
- All protruding bolts should be covered or cut off and finished smooth. Sharp edges on pipes should be capped or removed. Check for bent, broken, or severely worn pipe, and replace.
- All equipment should be free of rust and repainted whenever necessary to deter rusting.
- We provide our customers with layout sheets and installation instructions. Please keep on file the specifications sheet that contains the listing of every part used.
- Never add components not intended for use with this product.
- Regular maintenance is necessary in this and all park and recreational equipment to insure the safety of the user.
- Note: Proper maintenance of equipment requires regular tightening of all bolts, nuts, and setscrews.
- Note: Regular checking of all parts, castings, etc. should be made. If a part is broken or worn, it should be replaced immediately.
- Check to be sure all fittings are tight and that bars and pipes do not move.
- Replace all worn S-hooks. S-hooks must be completely closed. Failure to close S-hooks can result in serious injury to the user. NEVER reuse S-hooks.
- Test for free movement of swing hanger and other moving attached parts.
- Check for worn chains and replace them.
- A soft resilient surface should be placed under all swings extending at least twice the height of the top rail both front and back.

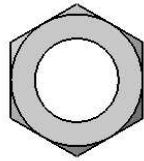
HARDWARE



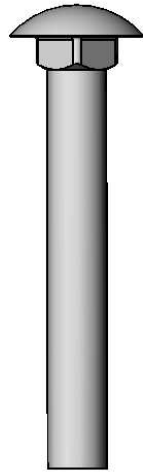
7/16" x 5-1/2"
Machine Bolt



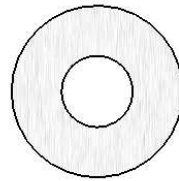
7/16" Washer



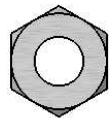
7/16" Hex Nut



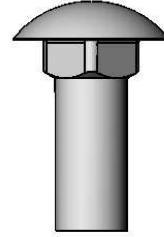
5/16" x 2-1/4"
Carriage Bolt



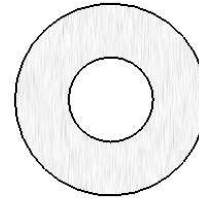
5/16" Washer



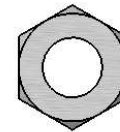
5/16" Hex Nut



3/8" x 1"
Carriage Bolt

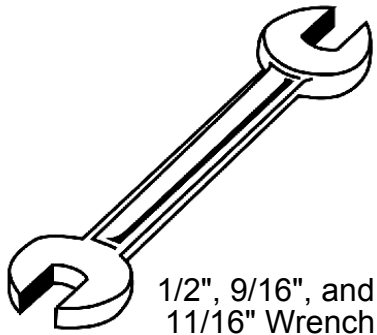


3/8" Washer

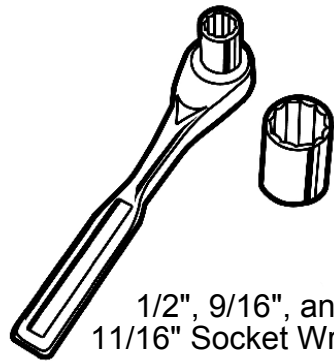


3/8" Hex Nut

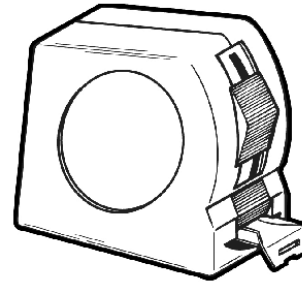
TOOLS REQUIRED



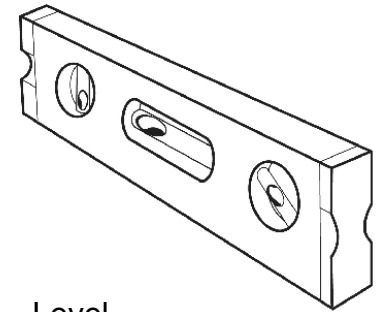
1/2", 9/16", and
11/16" Wrench



1/2", 9/16", and
11/16" Socket Wrench



Tape Measure



Level

PRODUCT SPECIFICATIONS

338SM-R48 48" SQUARE INGROUND TABLE WITH 4 SEATS

Top & Seats: Minimum of 96% commingled post-consumer or post-industrial recycled plastic 2" x 10" planks. Minimum of 4% due to various additives including color and UV stabilization to obtain desirable properties.

Frame: Main support column is 4"x4"x11 gauge pre-galvanized structural steel tubing. Arms are fabricated from 2-7/8" O.D. x 12 gauge pre-galvanized structural steel tubing welded to 1/4" precision punched plates for attachment to the main column and 2"x2"x3/16" structural steel angle for lateral seat support. Seat mounting angle is 2" x 2" x 3/16" formed steel angle which is MIG welded to the arms. Table top attachment structure is fabricated from 2"x2"x3/16" structural steel angle.

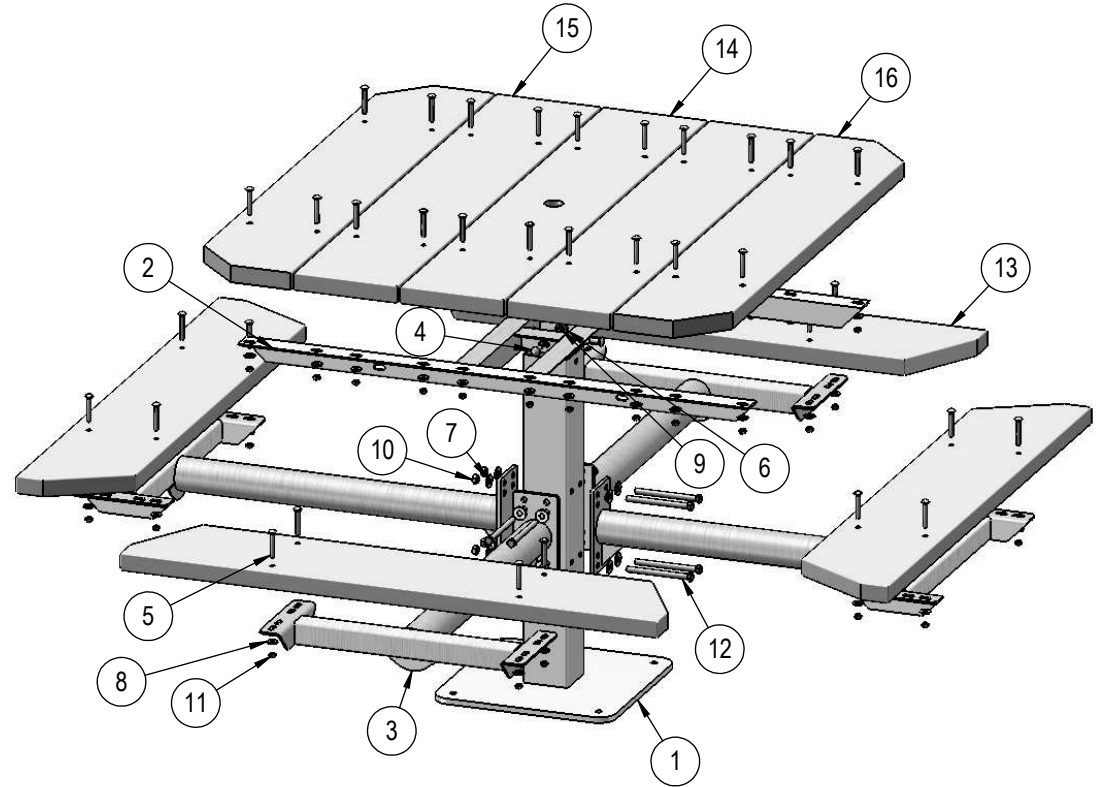
Frame Coating: Electrostatic powder coated application oven cured or optional hot dipped galvanized.

Hardware: All zinc coated steel hardware fasteners.

Dimensions: Top is 48" square x 31-1/2" high. Seats are 9-1/4" wide x 48" long x 17-1/2" high. Outside to outside dimensions of 4 seat table is 74" square.

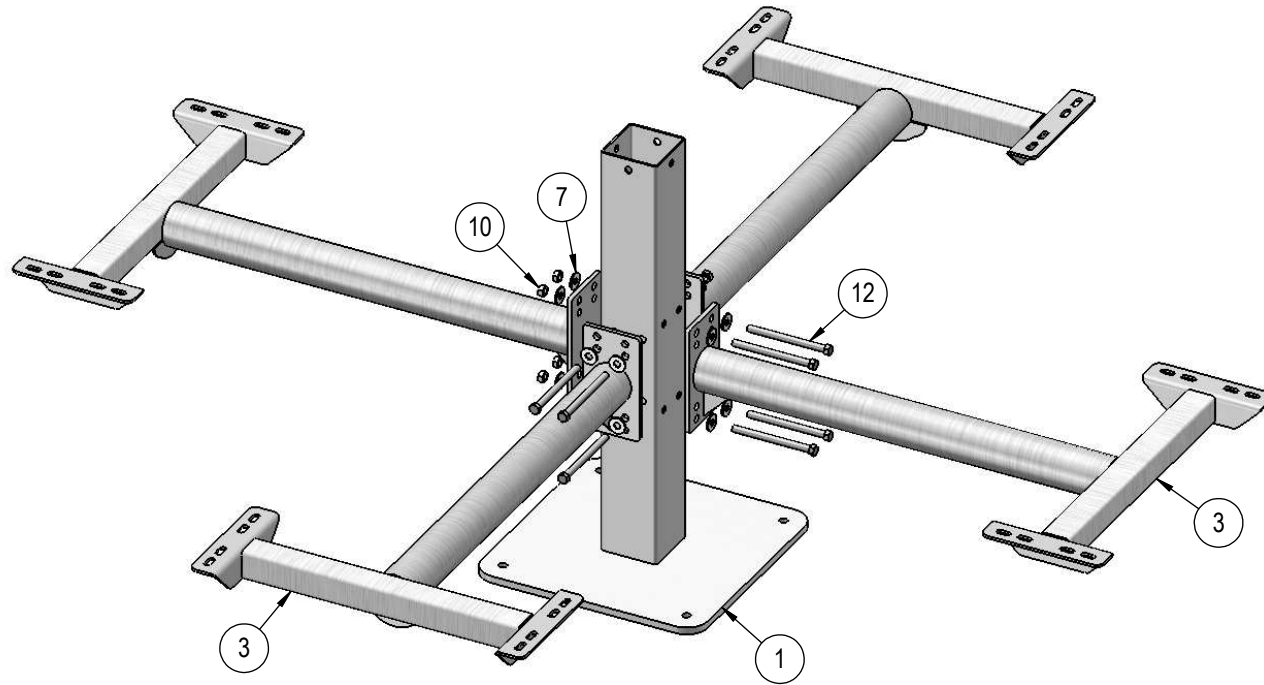
COMPONENTS

ITEM NO.	PartNo	DESCRIPTION	QTY
1	P-338SM	338 SM post asem	1
2	01-04-0182	48" wood table H frame	1
3	W-338-ARM or G-338-ARM	338 wood arm	4
4	33-06-0063	3/8" x 1" Carriage Bolt (Zinc)	4
5	33-06-0006	5/16" x 2 1/4" Carriage Bolt (Zinc)	36
6	33-02-0010	3/8" Galvanized Steel Flat Washer	4
7	33-02-0004	7/16" SS Washer	16
8	33-02-0001	5/16" Zinc Plated Washer	36
9	33-01-0002	3/8" Hex Nut (Zinc)	4
10	33-01-0006	7/16" Hex Nut (SS)	8
11	33-01-0001	5/16" Hex Nut (Zinc)	36
12	33-06-0049	7/16" x 5-1/2" Machine Bolt	8
13	BRN48-2x10-MS, CDR48-2x10-MS, GRN48-2x10-MS, or GRY48-2x10-MS	2 x 10 Brown Recycled Mitered Seat Plank (48"), 2 x 10 Cedar Recycled Mitered Seat Plank (48"), 2 x 10 Green Recycled Mitered Seat Plank (48"), or 2 x 10 Gray Mitered Seat Plank (48")	4
14	BRN48-2x10-UT, CDR48-2x10-UT, GRN48-2x10-UT, or GRY48-2x10-UT	2 x 10 Brown Recycled Umbrella Table Plank (48"), 2 x 10 Cedar Recycled Umbrella Table Plank (48"), 2 x 10 Green Recycled Umbrella Table Plank (48"), or 2 x 10 Gray Recycled Umbrella Table Plank (48")	1
15	BRN48-2x10-T, CDR48-2x10-T, GRN48-2x10-T, or GRY48-2x10-T	2 x 10 Brown Recycled Table Plank (48"), 2 x 10 Cedar Recycled Table Plank (48"), 2 x 10 Green Recycled Table Plank (48"), or 2 x 10 Gray Recycled Table Plank (48")	2
16	BRN48-2x10-MT, CDR48-2x10-MT, GRN48-2x10-MT, or GRY48-2x10-MT	2 x 10 Brown Recycled Mitered Table Plank (48"), 2 x 10 Cedar Recycled Mitered Table Plank (48"), 2 x 10 Green Recycled Mitered Table Plank (48"), or 2 x 10 Gray Recycled Mitered Table Plank (48")	2



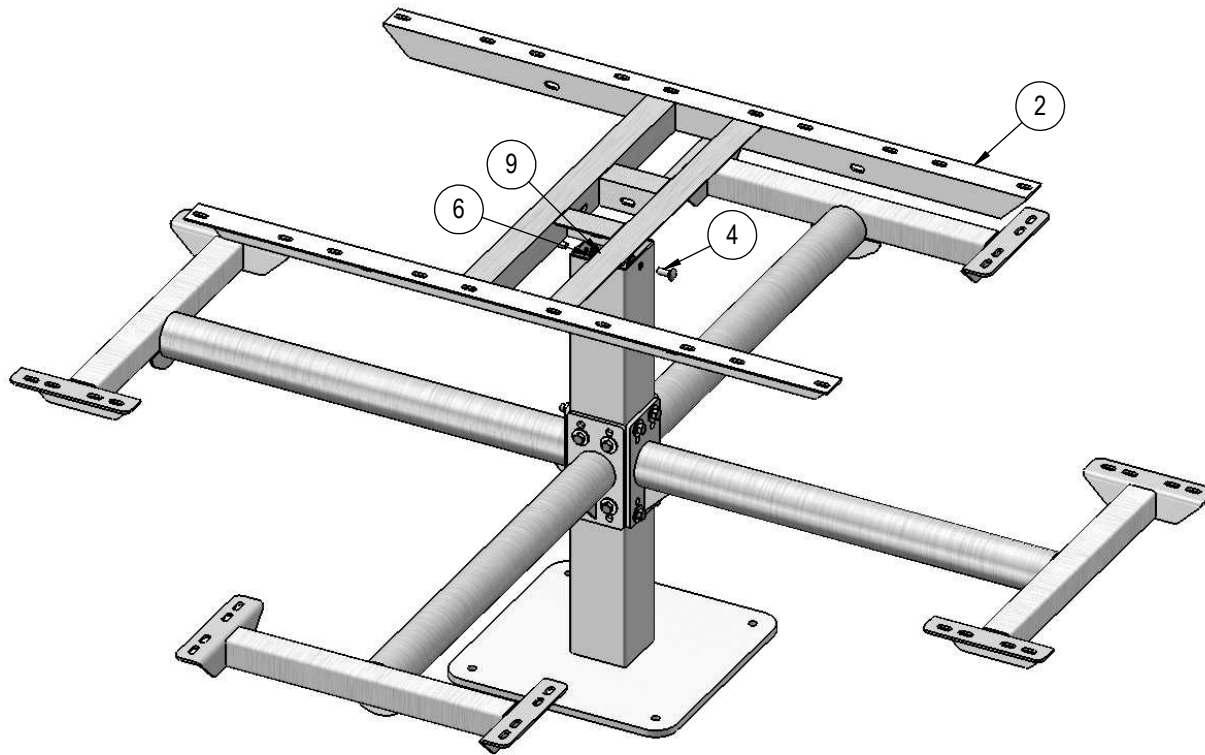
Recommended Surface Mount Hardware:
 3/8" x 3-1/2" Concrete Expansion Anchor Bolt
 (Not Included)

STEP 1



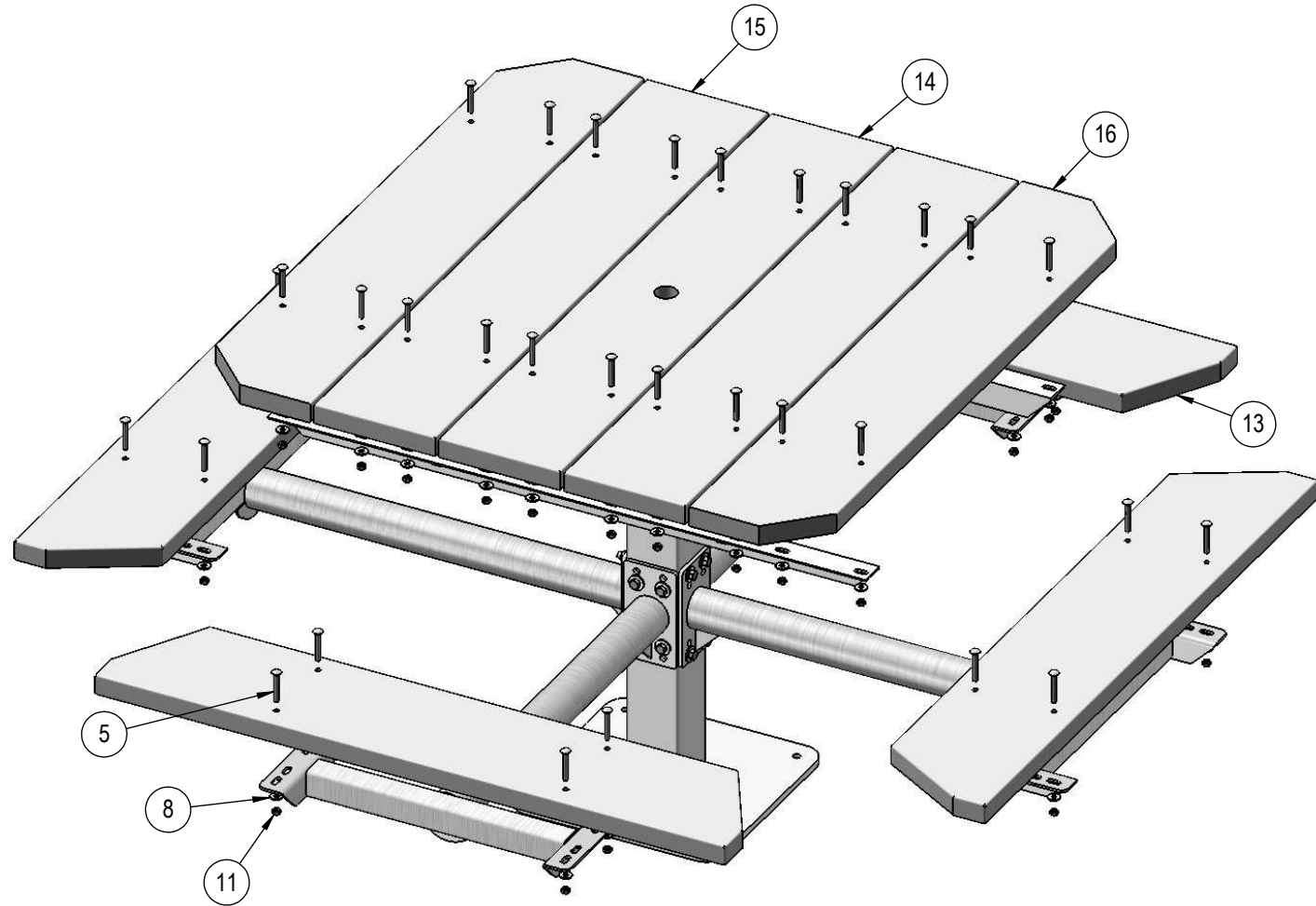
Attach the 338 Wood Arms to the 338 Post using specified hardware.

STEP 2



Attach the 48" Wood H Frame to the 338 Post using specified hardware.

STEP 3



Attach the 48" Seat and Top Planks to the 338 Wood Arms and 338 Wood H Frame as shown using specified hardware.

OVERALL DIMENSIONS

