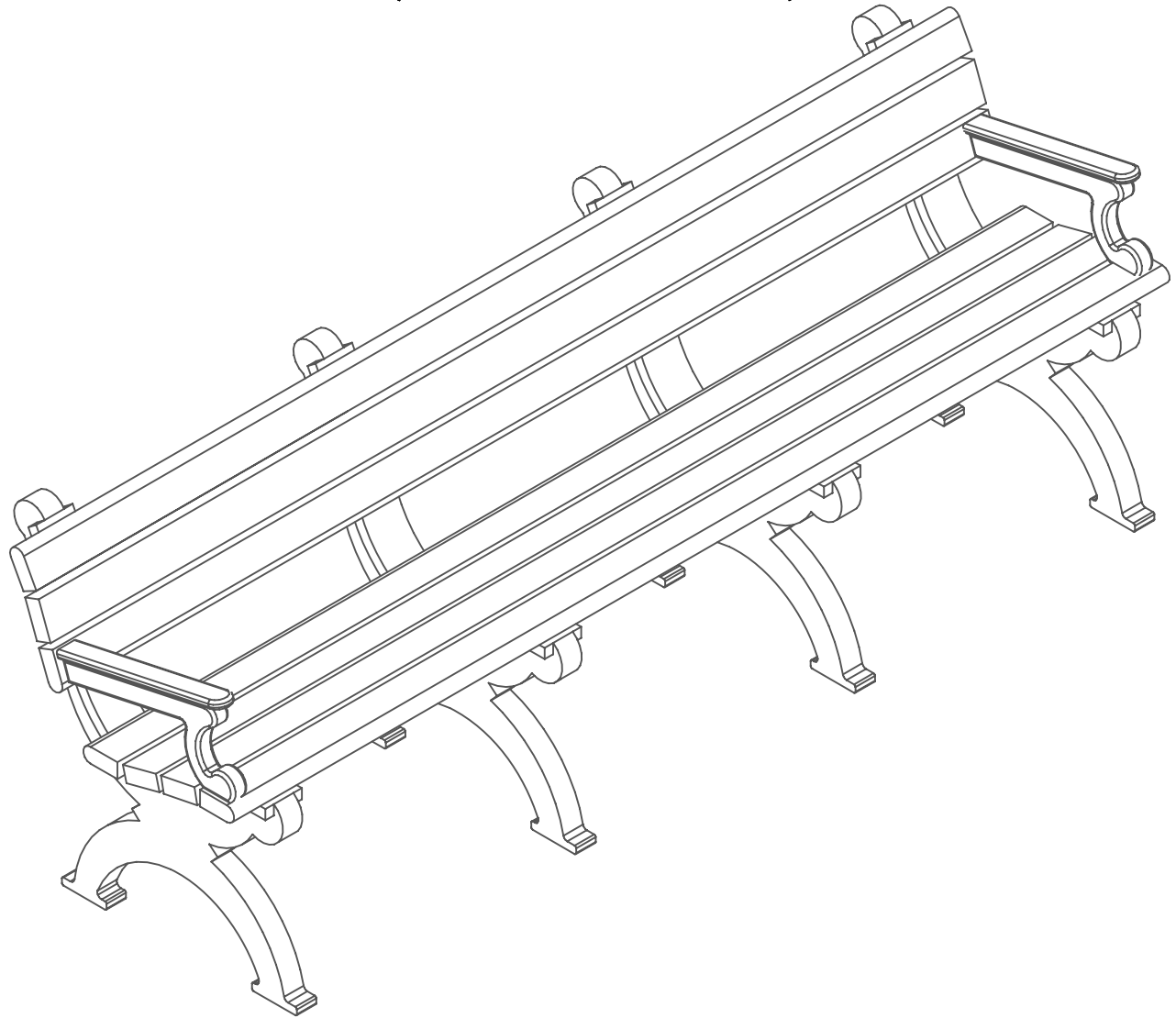


# 8 Foot Silhouette Park Bench w/ Arms

For Fastener Pack  
(FP-SB8BA-CU-01)



Congratulations !!

You have just purchased the finest recycled plastic  
park bench available. Enjoy !!!

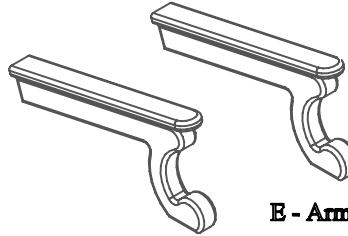
Before assembly, please make sure all components are included.



(1) - One Fastener Pack  
FP-SB8BA-CU-01

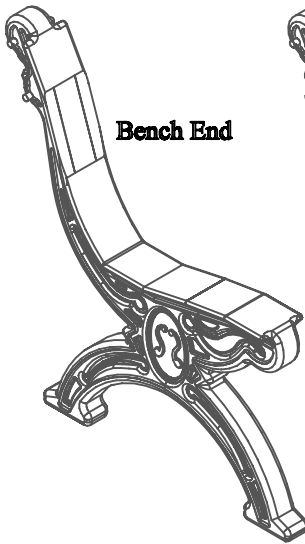
FP - Fastener Pack

(2) - Two Arms  
BSA-CBA-A-01

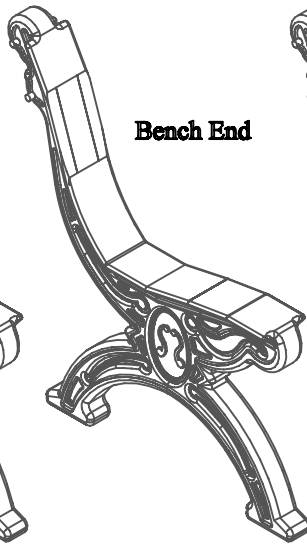


E - Arm

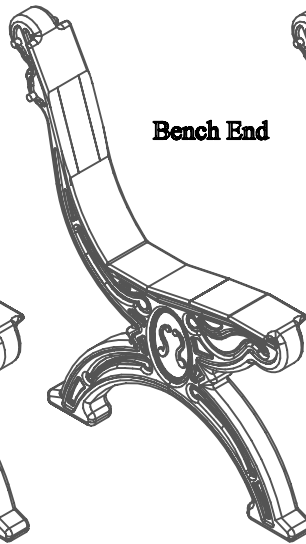
E - Arm



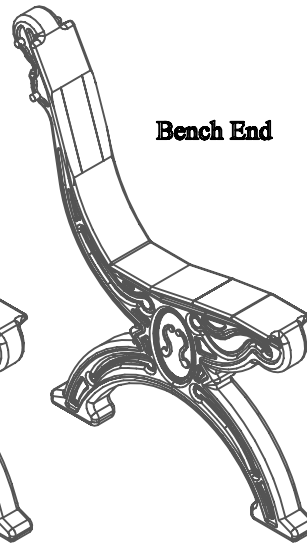
Bench End



Bench End



Bench End



Bench End

(4) - Four Bench Ends  
PS-CBBE-B-01

· ·	A - Bench Board	· ·	· ·	· ·
· ·	A - Bench Board	· ·	· ·	· ·
· ·	A - Bench Board	· ·	· ·	· ·

(3) - Three Bench Boards  
BP-MB8B-A-01

· ·	B - Bull-nosed Bench Board	· ·	· ·	· ·
· ·	B - Bull-nosed Bench Board	· ·	· ·	· ·

(2) - Four Bull-nosed Bench Boards  
BP-SB8B-A-01

·	C - Bull-nosed Bench Board w/ Arm holes	·	· ·	· · ·
·	C - Bull-nosed Bench Board w/ Arm holes	·	· ·	· · ·

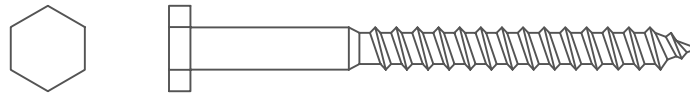
(2) - Two Bull-nosed Bench Boards w/ Arm holes  
BP-SB8BA-A-01

Before assembly, please make sure all fasteners are included.

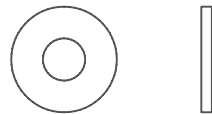
56 - #12 x 1 1/2" Pan Head Phillips Screw



4 - 1/4" x 3" Hex Head Lag Bolt



4 - 1/4" Flat Washer



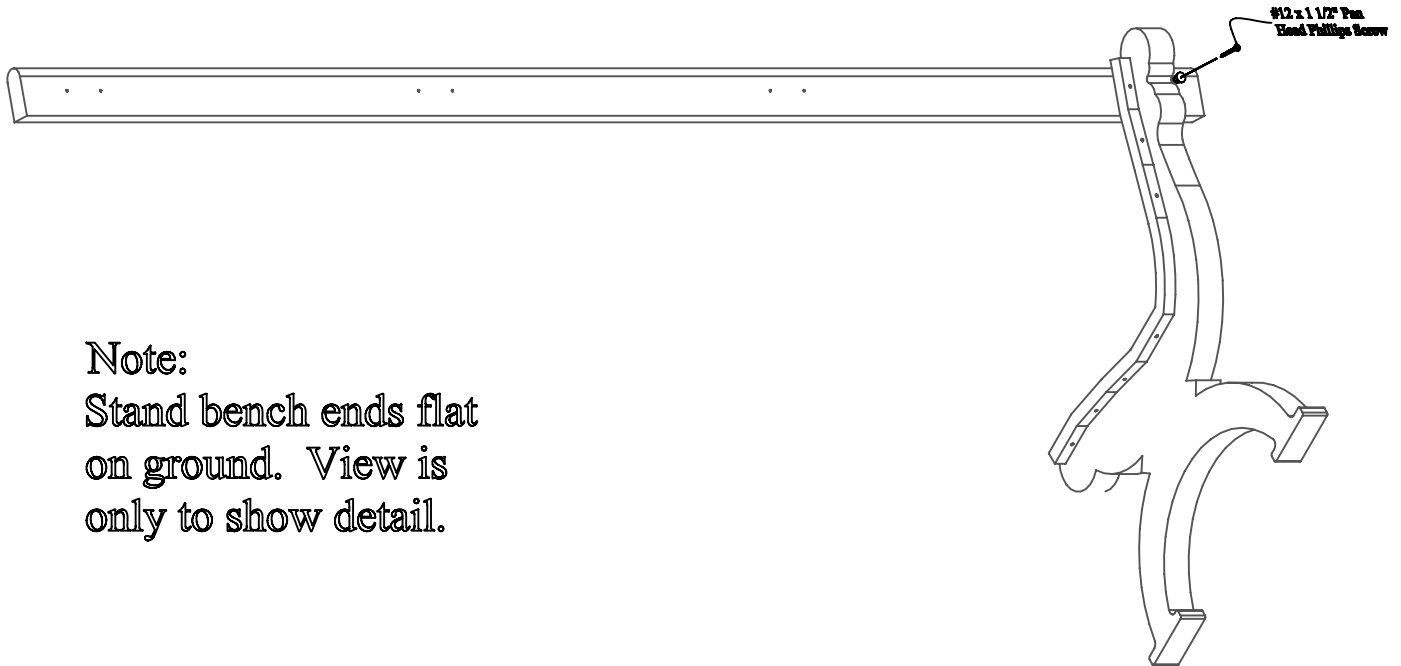
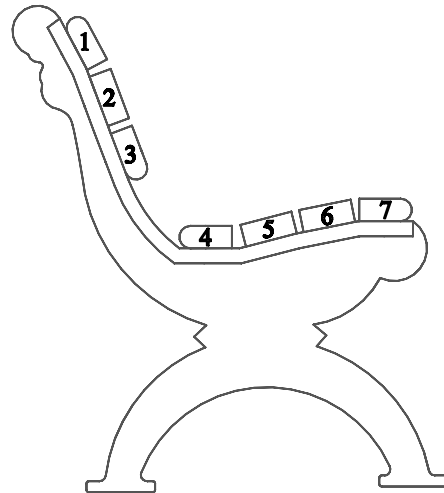
Also needed for this assembly will be the following materials:

1 - #3 Phillips Drive Bit

1 - 7/16" Socket Wrench

**Fig #1:**

In order to make the assembly of this Silhouette Bench easier while going through the assembly process the board positions are numbered and will be referenced in later steps.

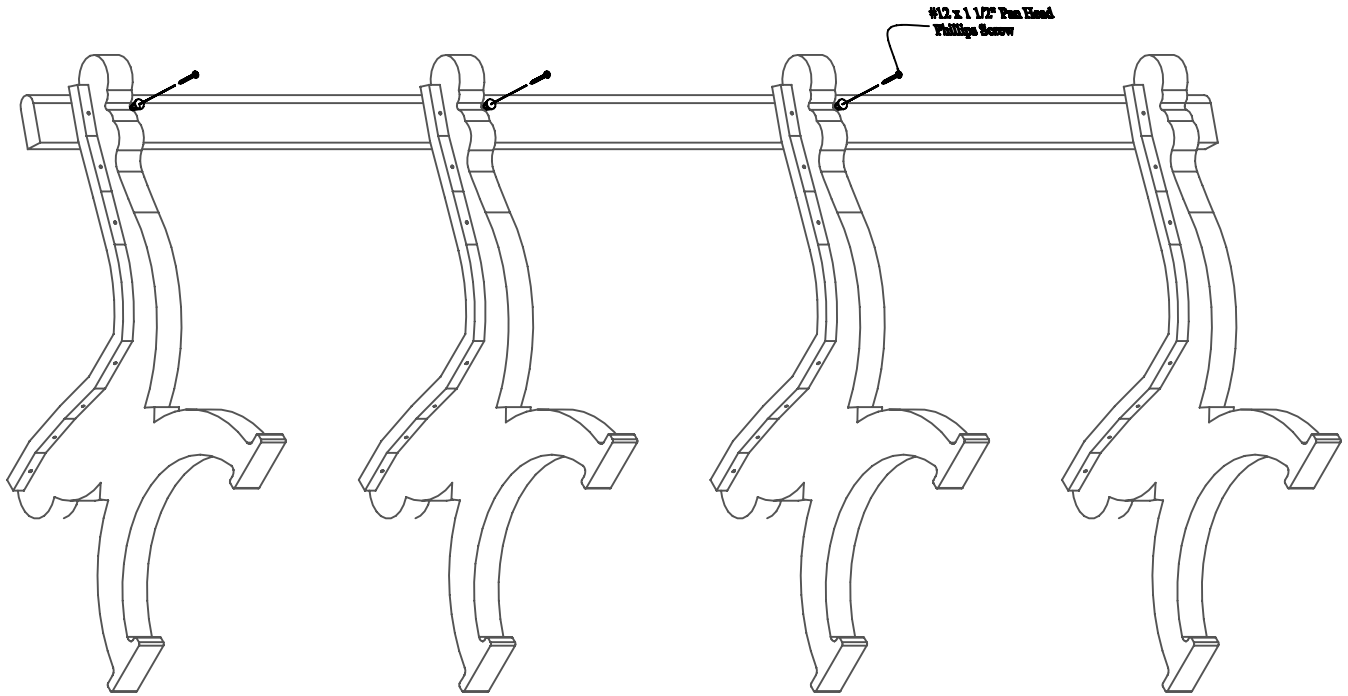


**Note:**  
Stand bench ends flat on ground. View is only to show detail.

**Step #1:**

Stand (1) One bench end upright and place (1) One bull-nosed bench board (B) on position 1 being sure to align the pilot holes to the pre-drilled holes in the bench end. After the holes are properly aligned, fasten with (1) One #12 x 1 1/2" Pan Head Phillips Screw in the pre-drilled hole on the right side of the bench end.

**Note:** Do not tighten screw completely. This will be done in a later step.



## Step #2:

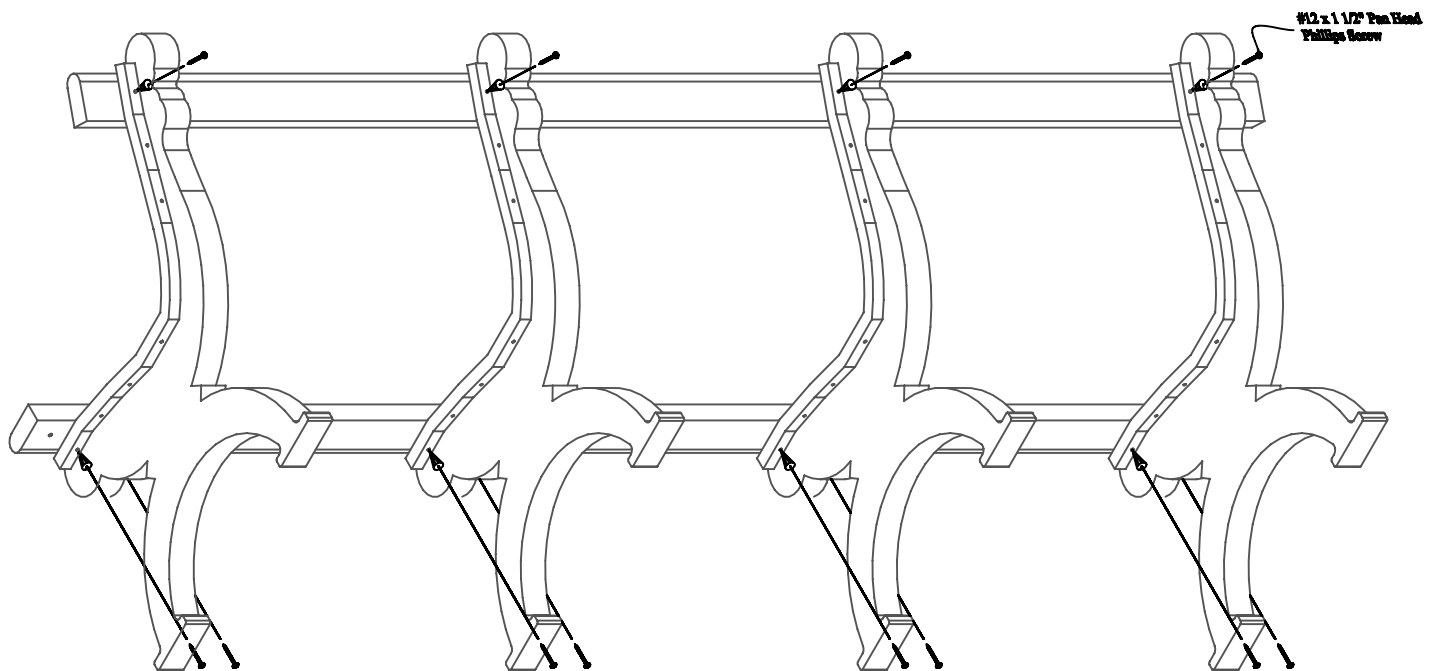
Stand the other (3) Three bench ends upright, one at a time, and place the bull-nosed bench board (B) already attached to the first bench end, on position 1 being sure to align the pilot holes with the pre-drilled holes in the bench end. After the holes are properly aligned, fasten with (1) One #12 x 1 1/2" Pan Head Phillips Screw in the pre-drilled hole on the right side of the bench end.

Note: Do not tighten screws completely. This will be done in a later step.

### Step #3:

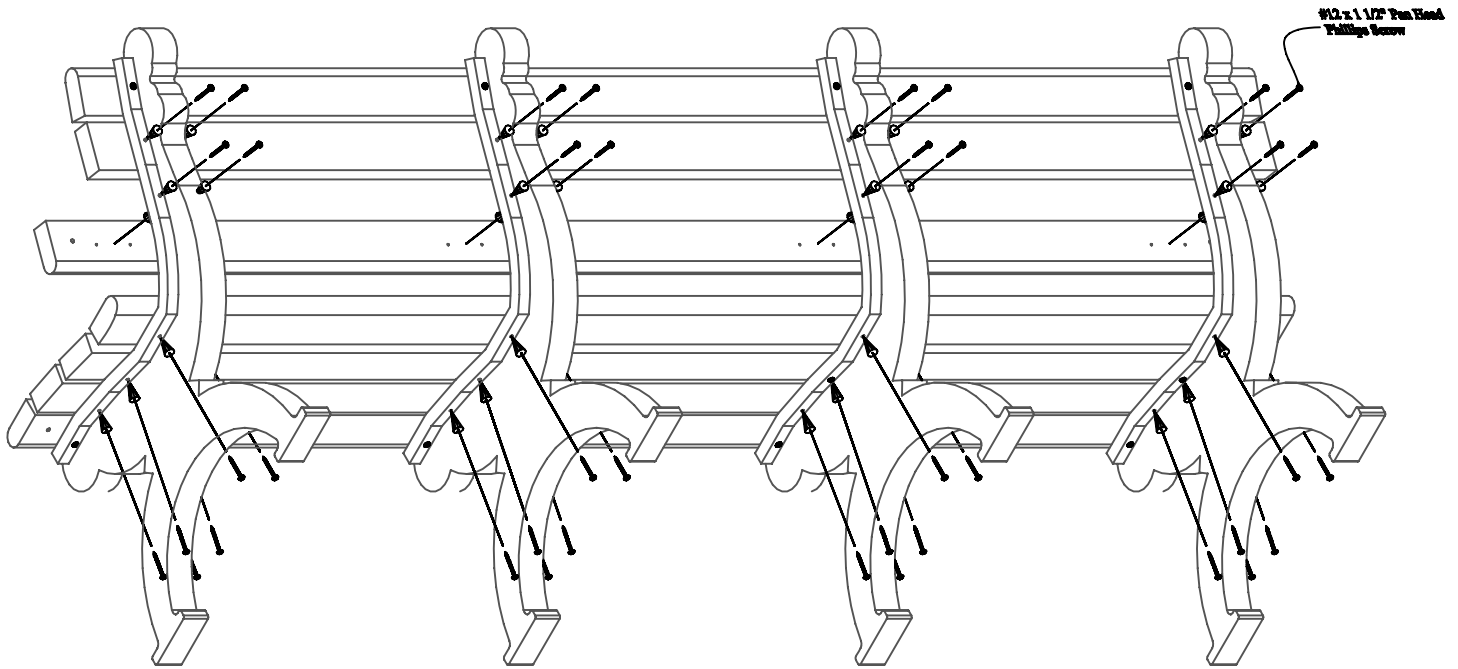
Align the pilot holes on the bull-nosed bench board (B) to the pre-drilled holes on the left side of the bench ends. After the holes are properly aligned, fasten with (1) One #12 x 1 1/2" Pan Head Phillips Screw per bench end.

Note: Be sure to tighten screws completely after this step.



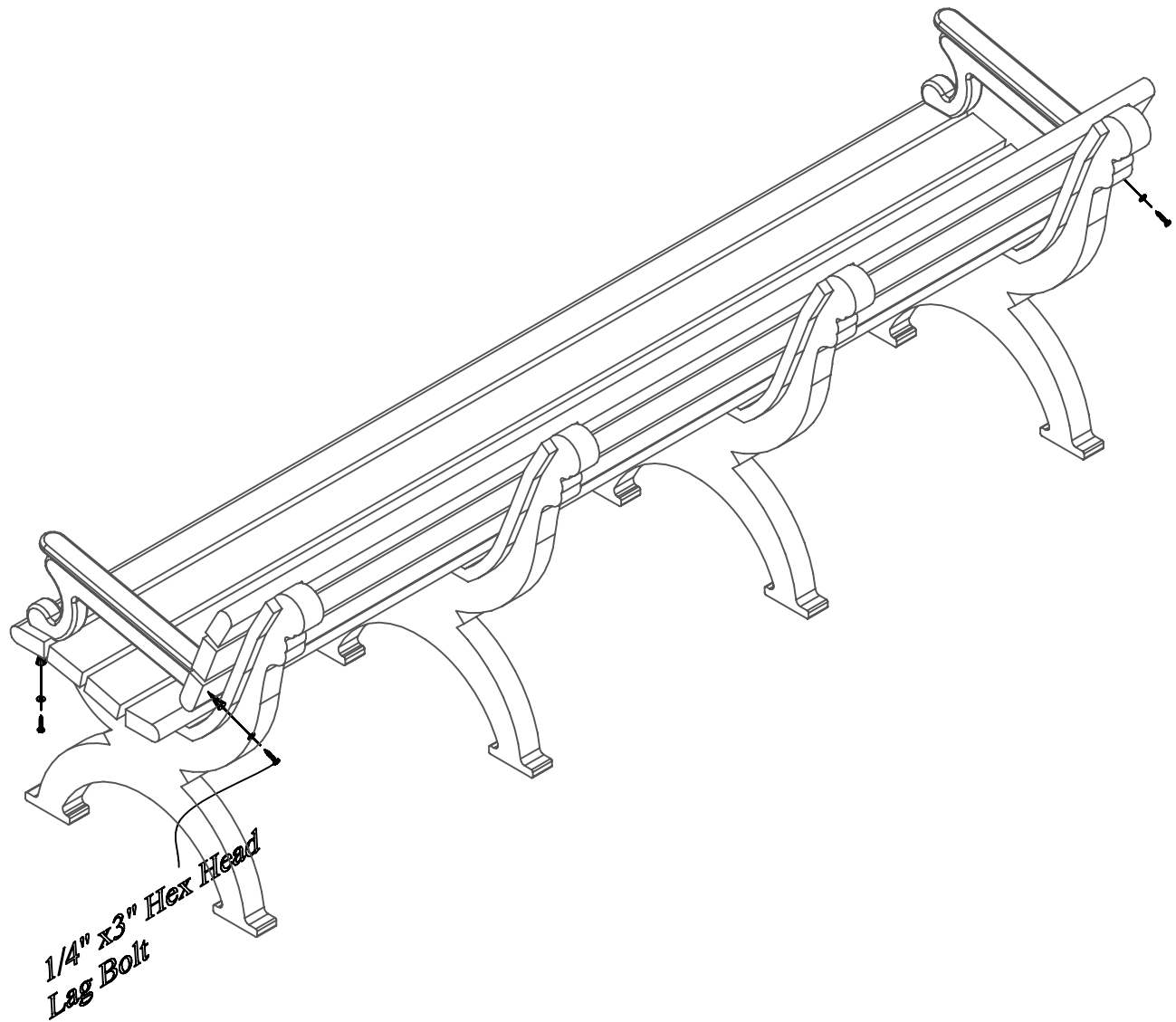
### Step #4:

Place a second bull-nosed bench board w/arms holes (C) on position 7. Repeat Steps 1 - 3 to attach. Use (1) One #12 x 1 1/2" Pan Head Phillips Screw per hole to fasten.



### Step #5:

Repeat Steps 1 - 3 to attach bench boards (A) on positions 2, 5 & 6 and bull-nosed bench board w/ arm holes (C) on positions 3 and bull-nosed bench board(B) on position 4. Use (1) One #12 x 1 1/2" Pan Head Phillips Screw per hole to fasten.



**Step #6:**

Align the pilot holes on the Arm to the pre-drilled holes on the bullnose bench boards w/arm holes (C). After the holes are properly aligned, fasten with (1) One 1/4" Flat washer and 1/4" x3" Hex Head Lag Bolt per hole to fasten.