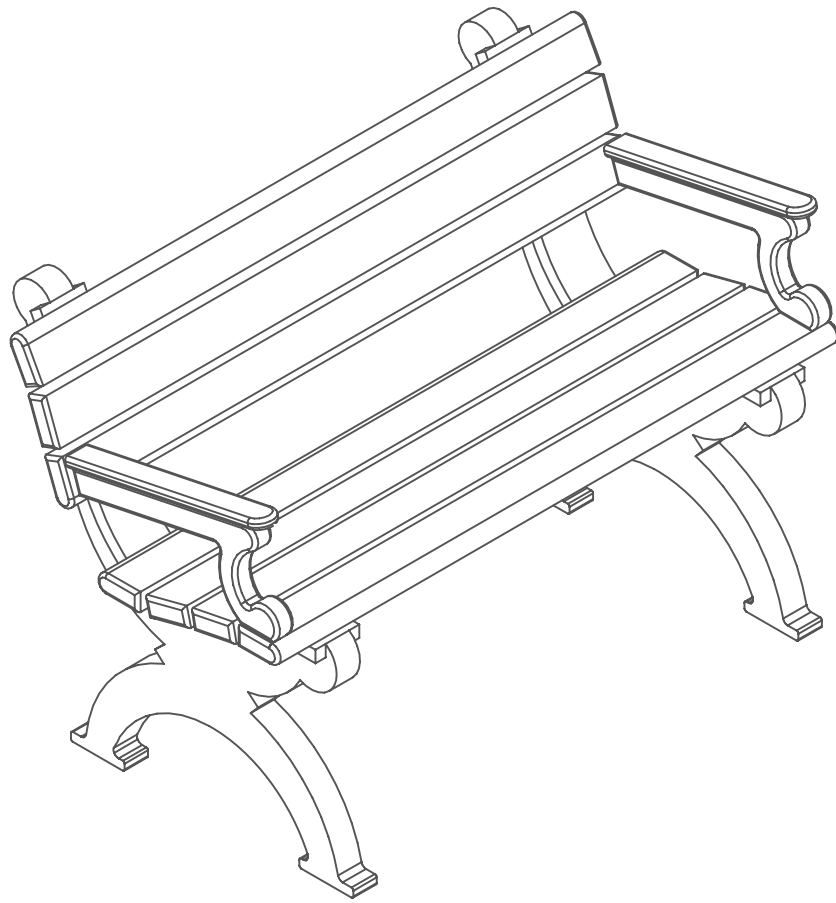


# 4 Foot Silhouette Park Bench w/ Arms

For Fastener Pack  
(FP-SB4BA-CU-01)



Congratulations !!

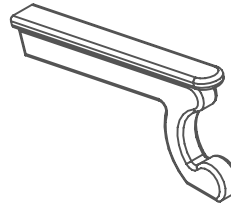
You have just purchased the finest recycled plastic  
park bench available. Enjoy !!!

Before assembly, please make sure all components are included.

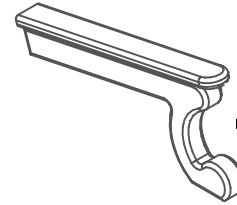


( 1 ) - One Fastener Pack  
FP-SB4BA-CU-01

FP - Fastener Pack

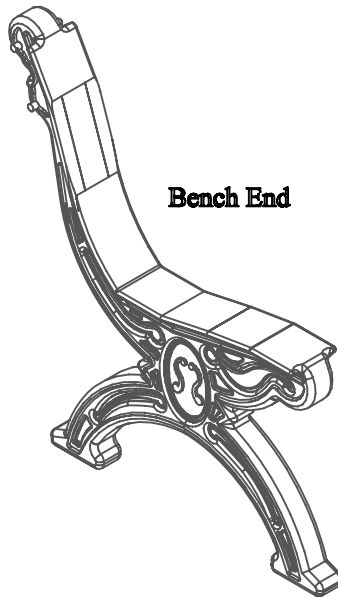


(D) - bench arm

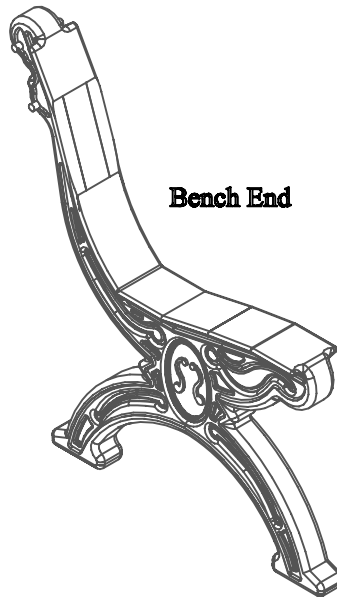


( 2 ) - Two Bench Ends  
BSA-CBA-A-01

(D) - bench arm



Bench End



Bench End

( 2 ) - Two Bench Ends  
PS-CBBE-B-01

· ·	A - Bench Board	· ·
· ·	A - Bench Board	· ·
· ·	A - Bench Board	· ·

( 3 ) - Three Bench Boards  
BP-MB4B-A-01

· ·	B - Bull-nosed Bench Board	· ·
· ·	B - Bull-nosed Bench Board	· ·

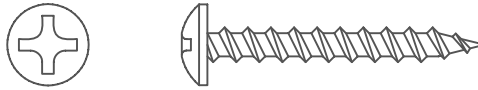
( 2 ) - Two Bull-nosed Bench Boards  
BP-SB4B-A-01

· · ·	C - Bull-nosed Bench Board w/ arm holes	· · ·
· · ·	C - Bull-nosed Bench Board w/ arm holes	· · ·

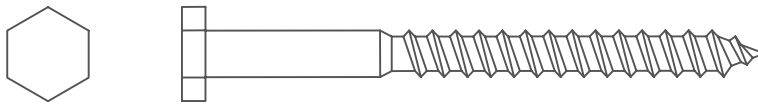
( 2 ) - Two Bull-nosed Bench Boards w/ arm holes  
BP-SB4BA-A-01

Before assembly, please make sure all fasteners are included.

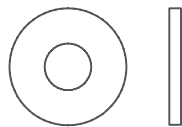
28- #12 x 1 1/2" Pan Head Phillips Screw



4- 1/4" x3" Hex Head Lag Bolt



4- 1/4" Flat Washer

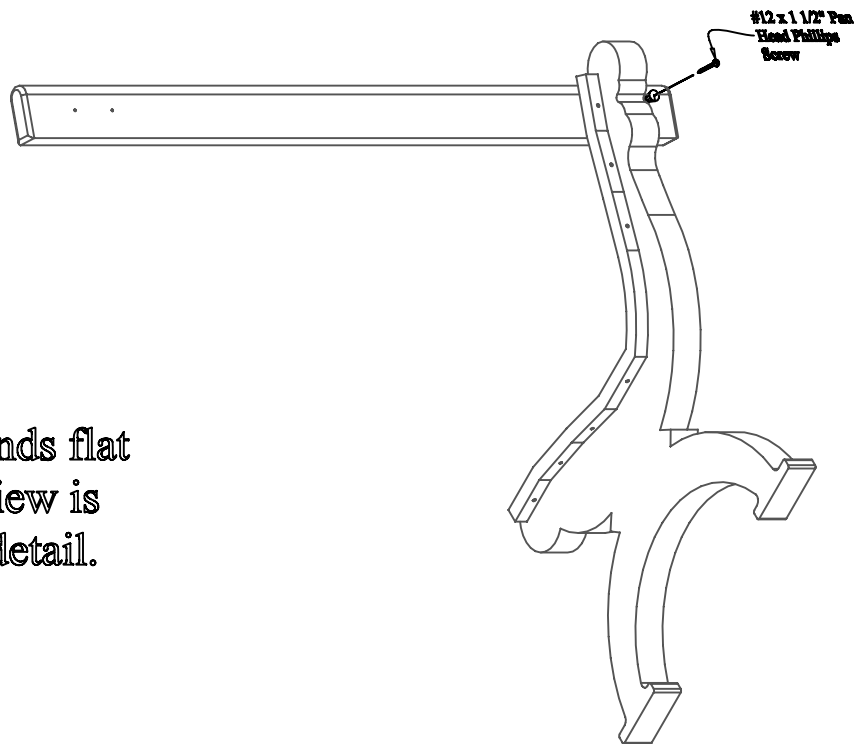
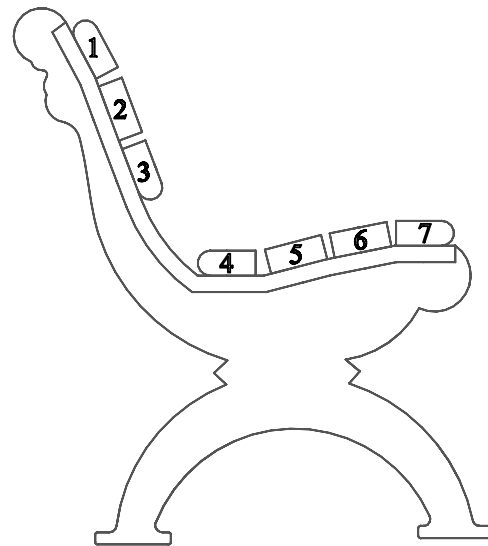


Also needed for this assembly will be the following materials:

- 1 - #3 Phillips Drive Bit
- 1 - 7/16" Socket Wrench

**Fig #1:**

In order to make the assembly of this Silhouette Bench easier while going through the assembly process the board positions are numbered and will be referenced in later steps.



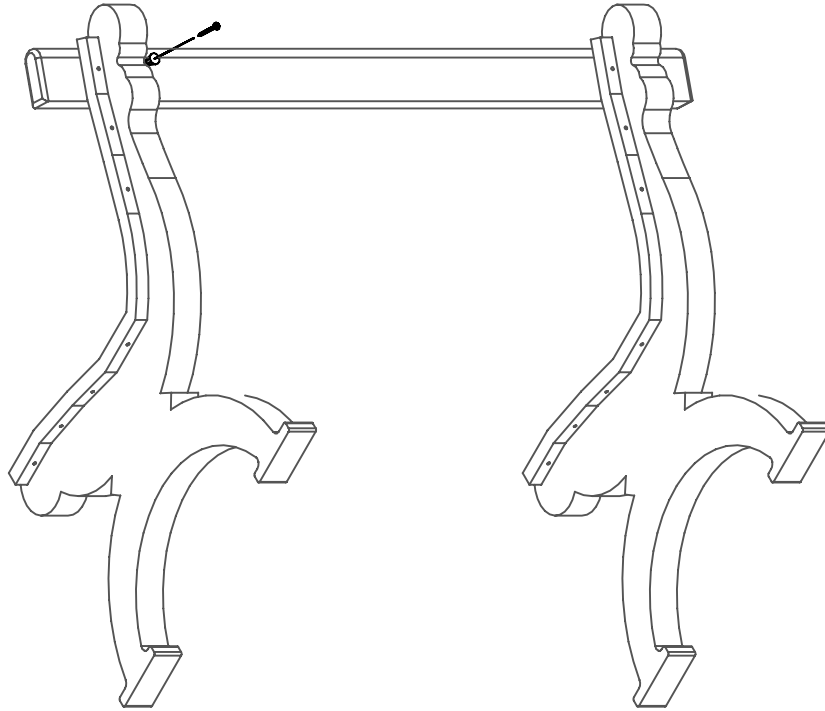
**Note:**

Stand bench ends flat on ground. View is only to show detail.

**Step #1:**

Stand (1) One bench end upright and place (1) One bull-nosed bench board (B) on position 1 being sure to align the pilot holes to the pre-drilled holes in the bench end. After the holes are properly aligned, fasten with (1) One #12 x 1 1/2" Pan Head Phillips Screw in the pre-drilled hole on the right side of the bench end.

Note: Do not tighten screw completely. This will be done in a later step.



### Step #2:

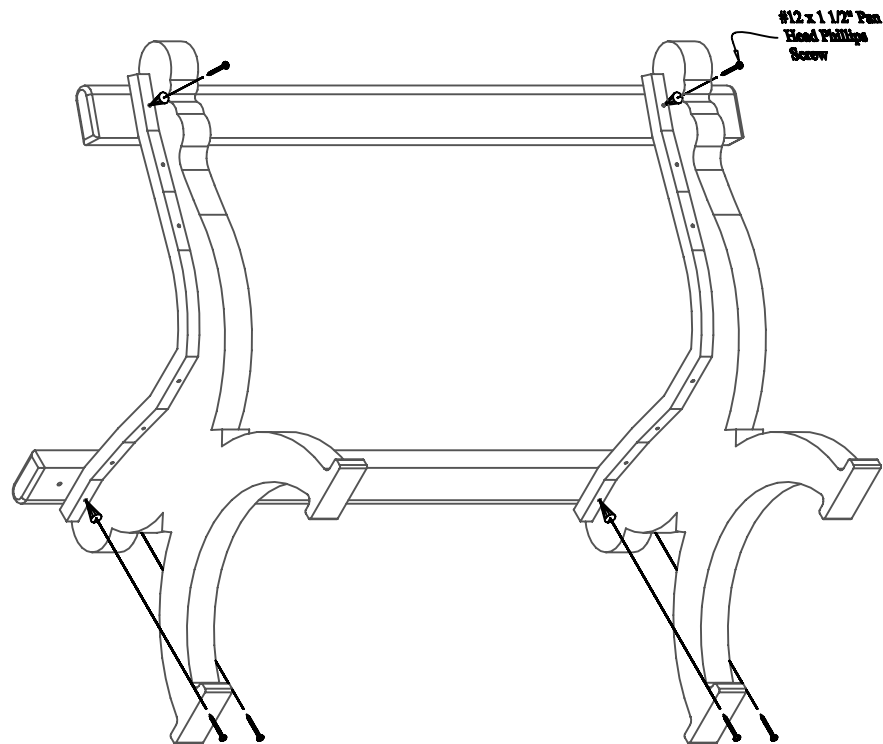
Stand the other bench end upright, and place the bull-nosed bench board (B) already attached to the first bench end, on position 1 being sure to align the pilot holes with the pre-drilled holes in the bench end. After the holes are properly aligned, fasten with (1) One #12 x 1 1/2" Pan Head Phillips Screw in the pre-drilled hole on the right side of the bench end.

Note: Do not tighten screws completely. This will be done in a later step.

### Step #3:

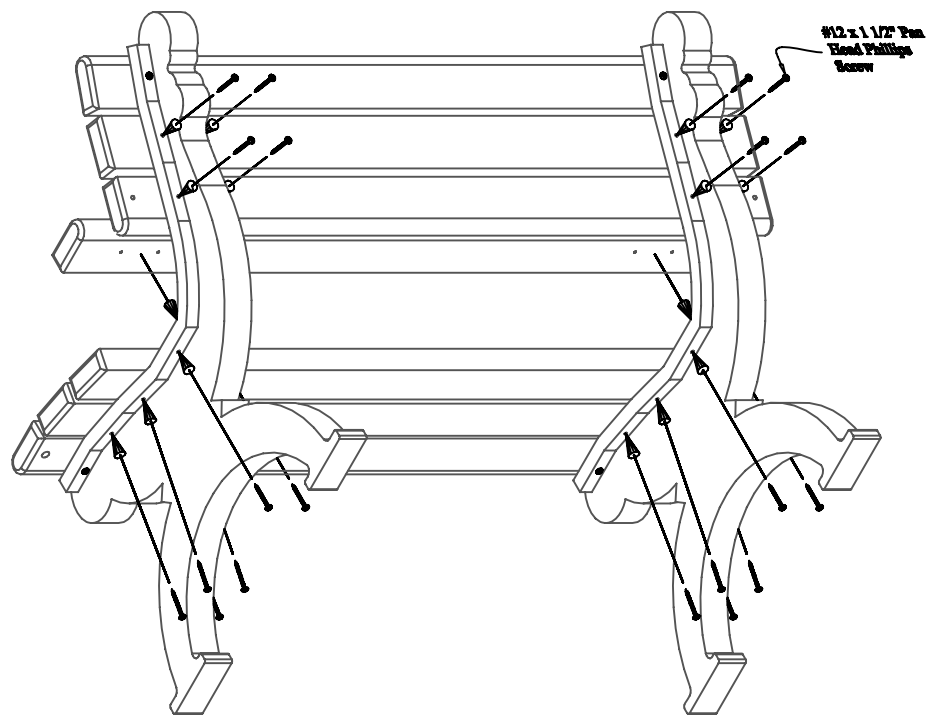
Align the pilot holes on the bull-nosed bench board (B) to the pre-drilled holes on the left side of the bench ends. After the holes are properly aligned, fasten with (1) One #12 x 1 1/2" Pan Head Phillips Screw per bench end.

Note: Be sure to tighten screws completely after this step.



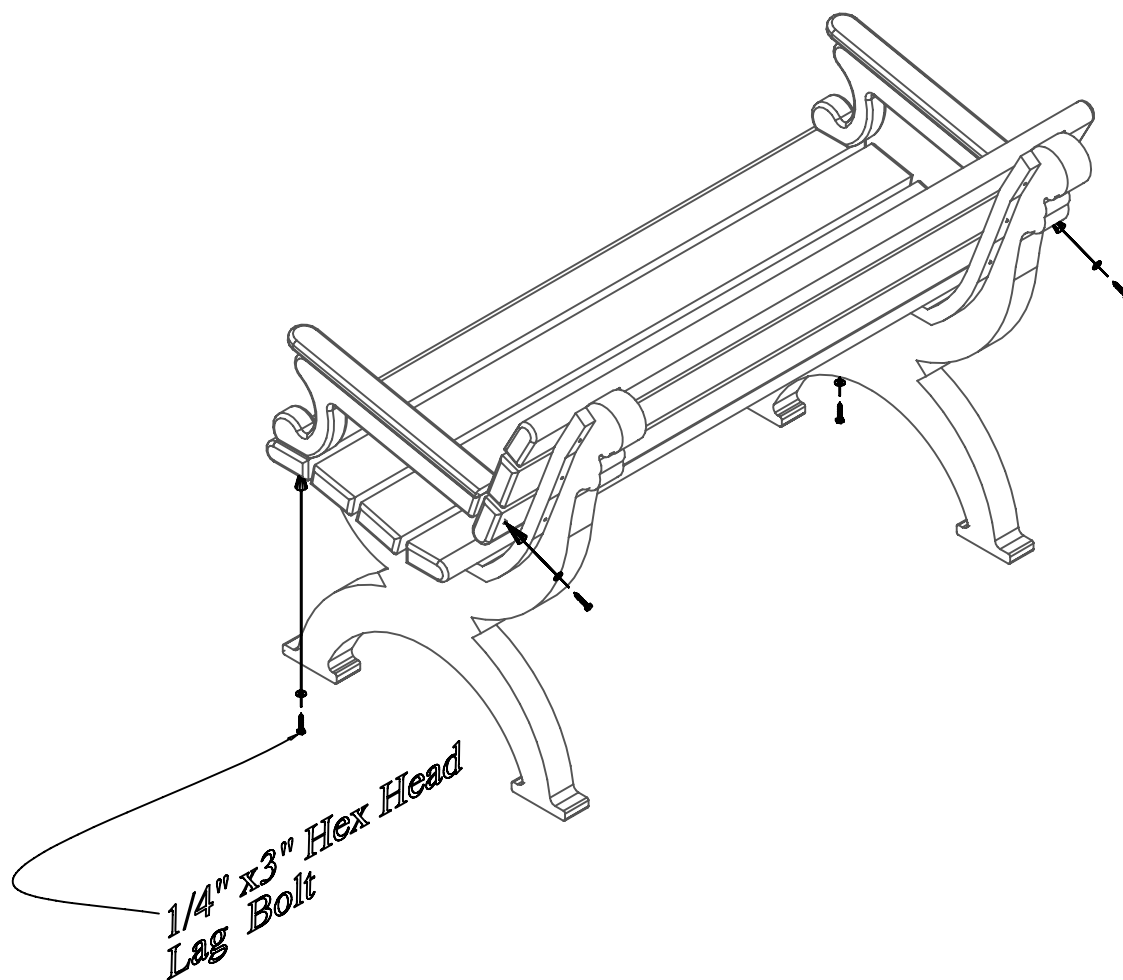
### Step #4:

Place a second bull-nosed bench board w/ arm holes (c) on position 7. Repeat Steps 1 - 3 to attach. Use (1) One #12 x 1 1/2" Pan Head Phillips Screw per hole to fasten.



### Step #5:

Repeat Steps 1 - 3 to attach bench boards (A) on positions 2, 5 & 6. Place bull-nosed bench boards w/arm holes (C) on position 3 and a bull-nosed bench board (B) on position 4. Use (1) One #12 x 1 1/2" Pan Head Phillips Screw per hole to fasten.



**Step #6:**

Align the pilot holes on the Arm to the pre-drilled holes on the bullnose bench boards w/ arm holes (C). After the holes are properly aligned, fasten with (1) One 1/4" Flat Washer and 1/4" x 3" Hex Head Lag Bolt per hole to fasten.