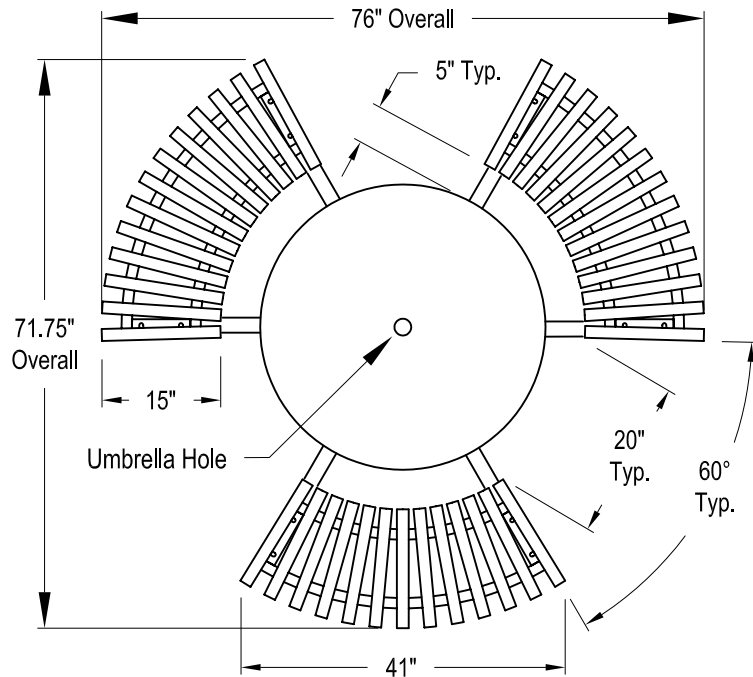


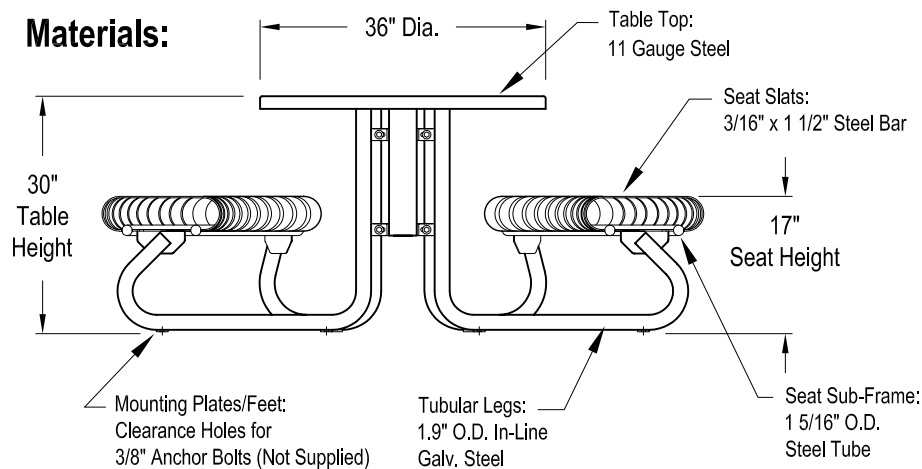
Premier Series - Round Picnic Table

Surface Mount / Portable - Specifications

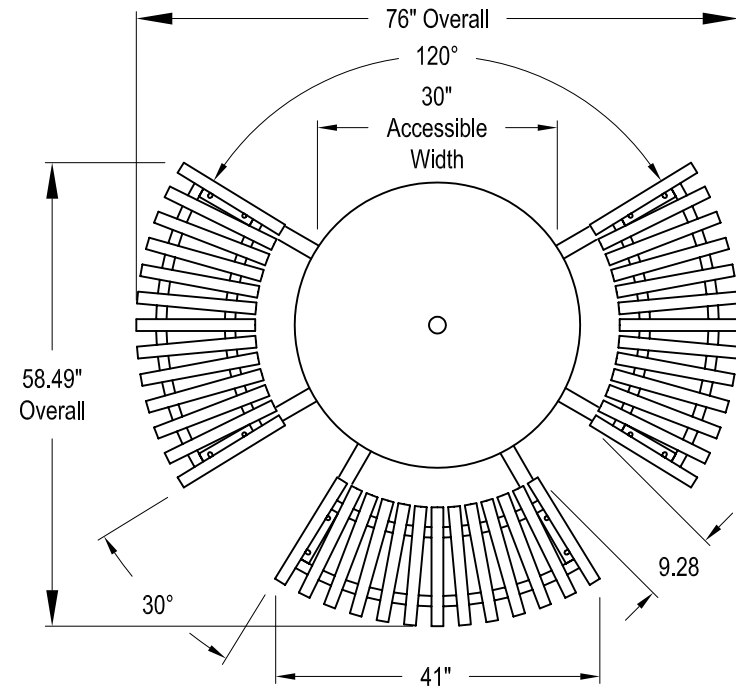
Standard Model with Umbrella Hole: PPR36-S (71916000)



Materials:



Accessible Model with Umbrella Hole: PPR36-SA



Finish:

All steel components receive corrosion protection from a Zinc Rich Primer. The Primer is applied as an Epoxy Powder Coat after the metal components are sandblasted. This is followed with a durable Polyester Powder Finish Top Coat. Both coatings are electrostatically applied and then thermally cured.

Hardware:

Stainless Steel -

3/8-16 x 1" Hex Head Bolts	Qty: 30
3/8-16 Hex Nuts	Qty: 30
3/8 Flat Washers	Qty: 60

(Anchoring Hardware not included.)

Notes:

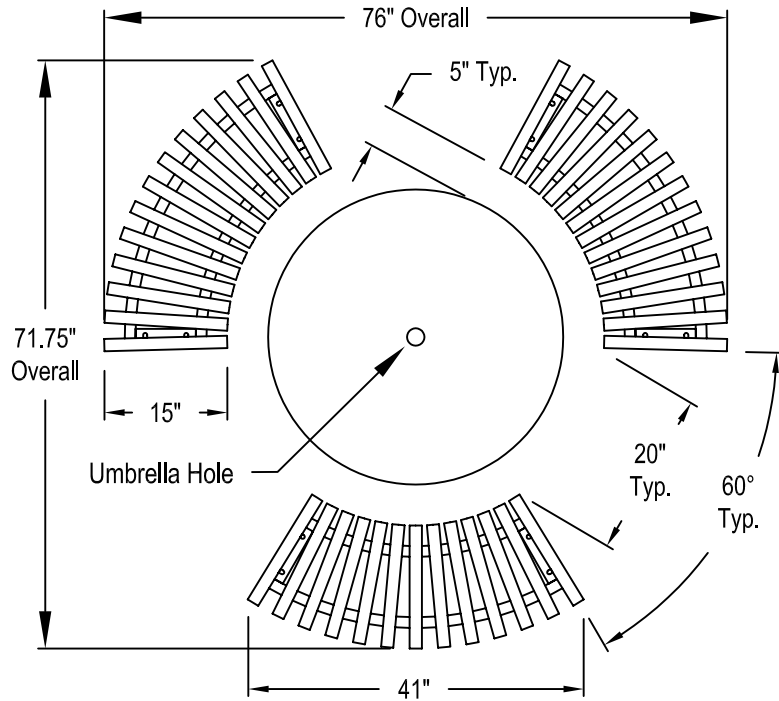
Dimensions shown are in inches (Drawing not to scale).
 We have endeavoured to insure that all product specifications listed on this drawing were correct at the time of publication.
 We reserve the right to improve, alter, or discontinue specifications without notice.

Premier Series - Round Picnic Table

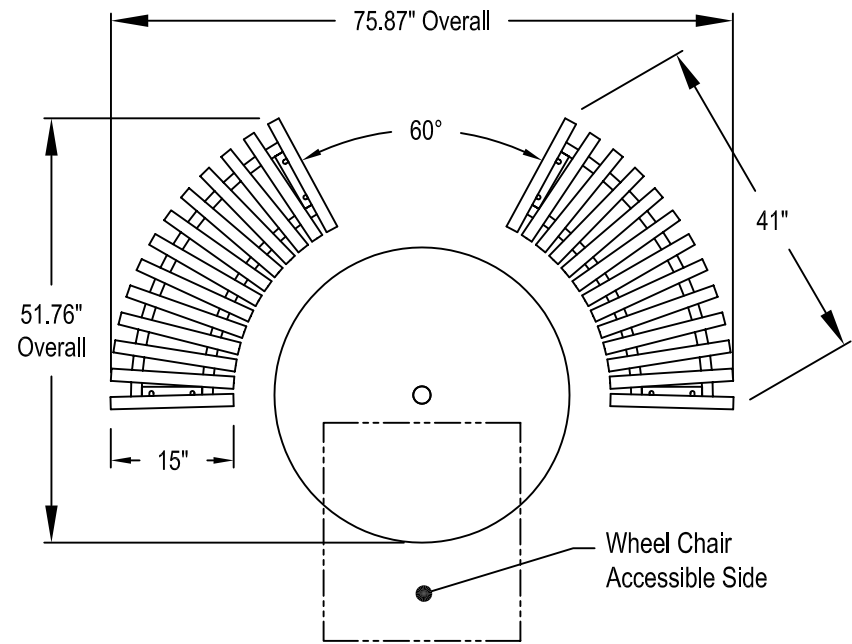
Permanent / Surface Mount Installation - Specifications



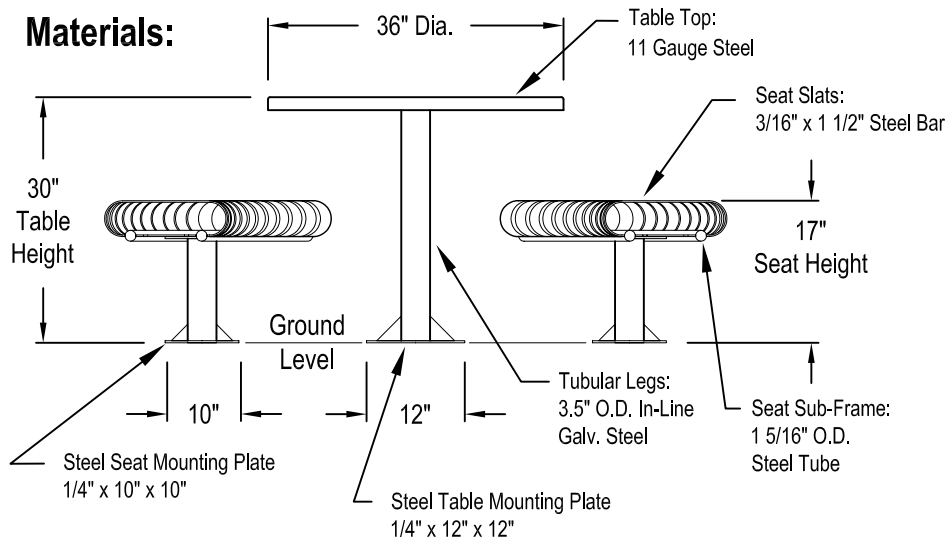
Standard Model with 3 Seats & Umbrella Hole: **PPR36-PS**



Accessible Model with 2 Seats & Umbrella Hole: **PPR36-PSA**



Materials:



Finish:

All steel components receive corrosion protection from a Zinc Rich Primer. The Primer is applied as an Epoxy Powder Coat after the metal components are sandblasted. This is followed with a durable Polyester Powder Finish Top Coat. Both coatings are electrostatically applied and then thermally cured.

Hardware:

Stainless Steel -

3/8-16 x 1" Hex Head Bolts	Qty: 16
3/8-16 Hex Nuts	Qty: 16
3/8 Flat Washers	Qty: 32
(Anchoring Hardware not included.)	

Notes:

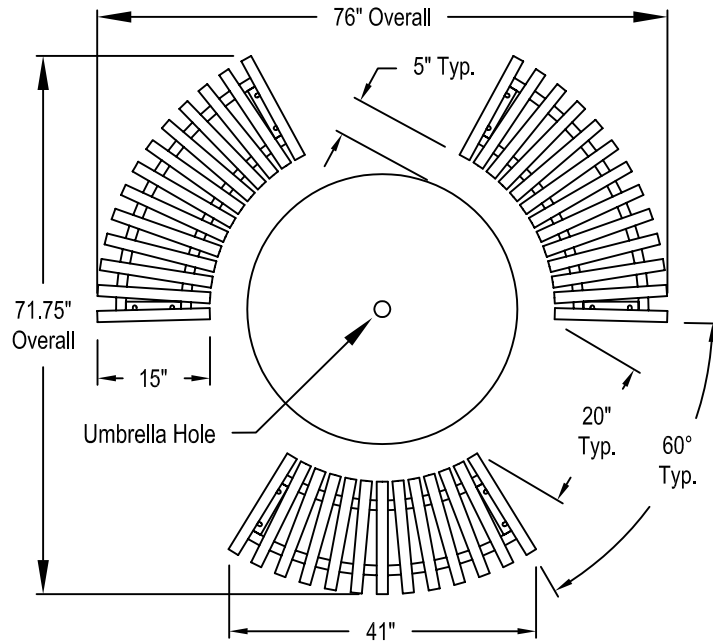
Dimensions shown are in inches (Drawing not to scale).
We have endeavoured to insure that all product specifications listed on this drawing were correct at the time of publication.
We reserve the right to improve, alter, or discontinue specifications without notice.

Premier Series - Round Picnic Table

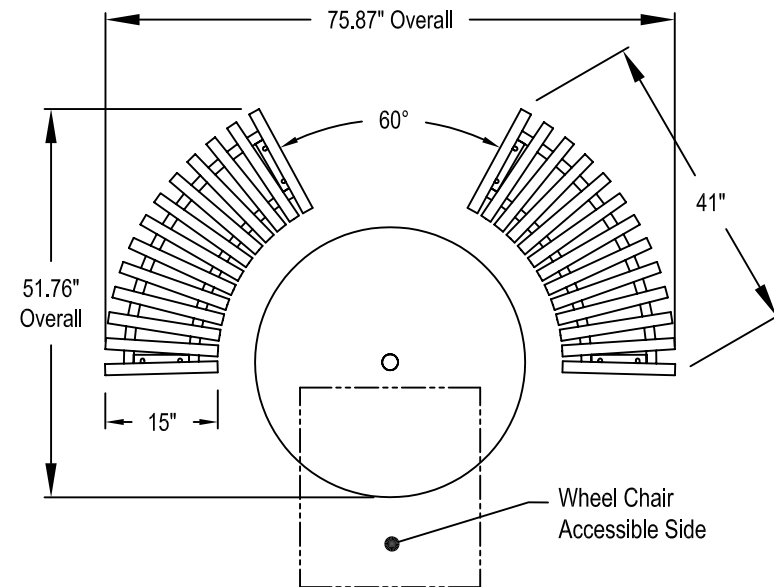
In-Ground Installation - Specifications



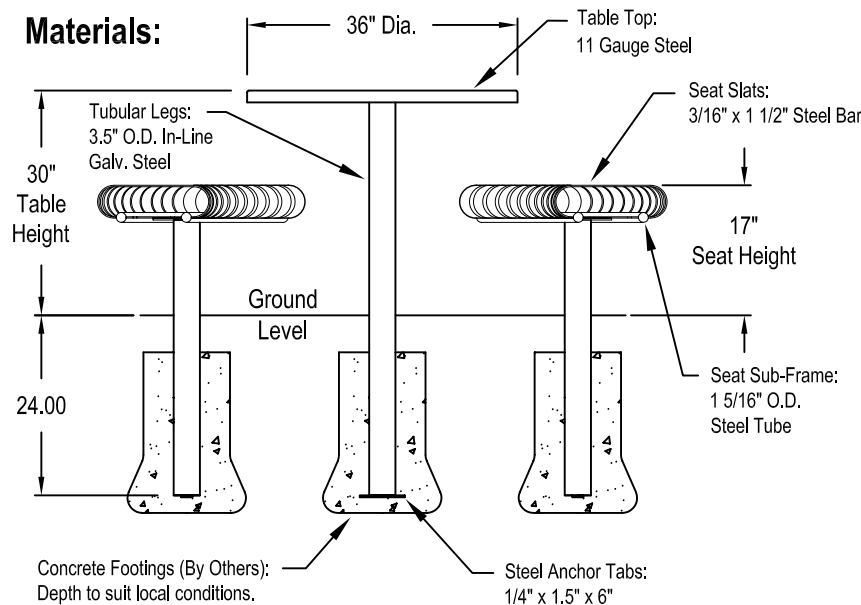
Standard Model with 3 Seats & Umbrella Hole: **PPR36-G**



Accessible Model with 2 Seats & Umbrella Hole: **PPR36-GA**



Materials:



Finish:

All steel components receive corrosion protection from a Zinc Rich Primer. The Primer is applied as an Epoxy Powder Coat after the metal components are sandblasted. This is followed with a durable Polyester Powder Finish Top Coat. Both coatings are electrostatically applied and then thermally cured.

Hardware:

Stainless Steel -	3/8-16 x 1" Hex Head Bolts	Qty: 16
	3/8-16 Hex Nuts	Qty: 16
	3/8 Flat Washers	Qty: 32
	(Anchoring Hardware not included.)	

Notes:

Dimensions shown are in inches (Drawing not to scale).
We have endeavoured to insure that all product specifications listed on this drawing were correct at the time of publication.
We reserve the right to improve, alter, or discontinue specifications without notice.

Rev. 03Jan08