

Premier Series Single Pedestal Square Picnic Table

with Checker Board

Inground Model:
PPS-4PP-CB (71910700)

Specifications

MATERIAL SPECIFICATIONS:

- 3/16" X 1 1/2" Flat Bar
- 1/2" O.D. Steel Rod
- 1.66" O.D. X .10" Wall Steel Tube
- 3/16", 1/4" & 3/8" Steel Plate
- 12 Ga. Galvanized Sheet Steel (Checker Board)
- 4.00" x 4.00" x .12" Wall Square Steel Tube
- 2.50" x 2.50" x .19" Wall Square Steel Tube
- 1.50" x 1.50" x .10" Wall Square Steel Tube

FINISH:

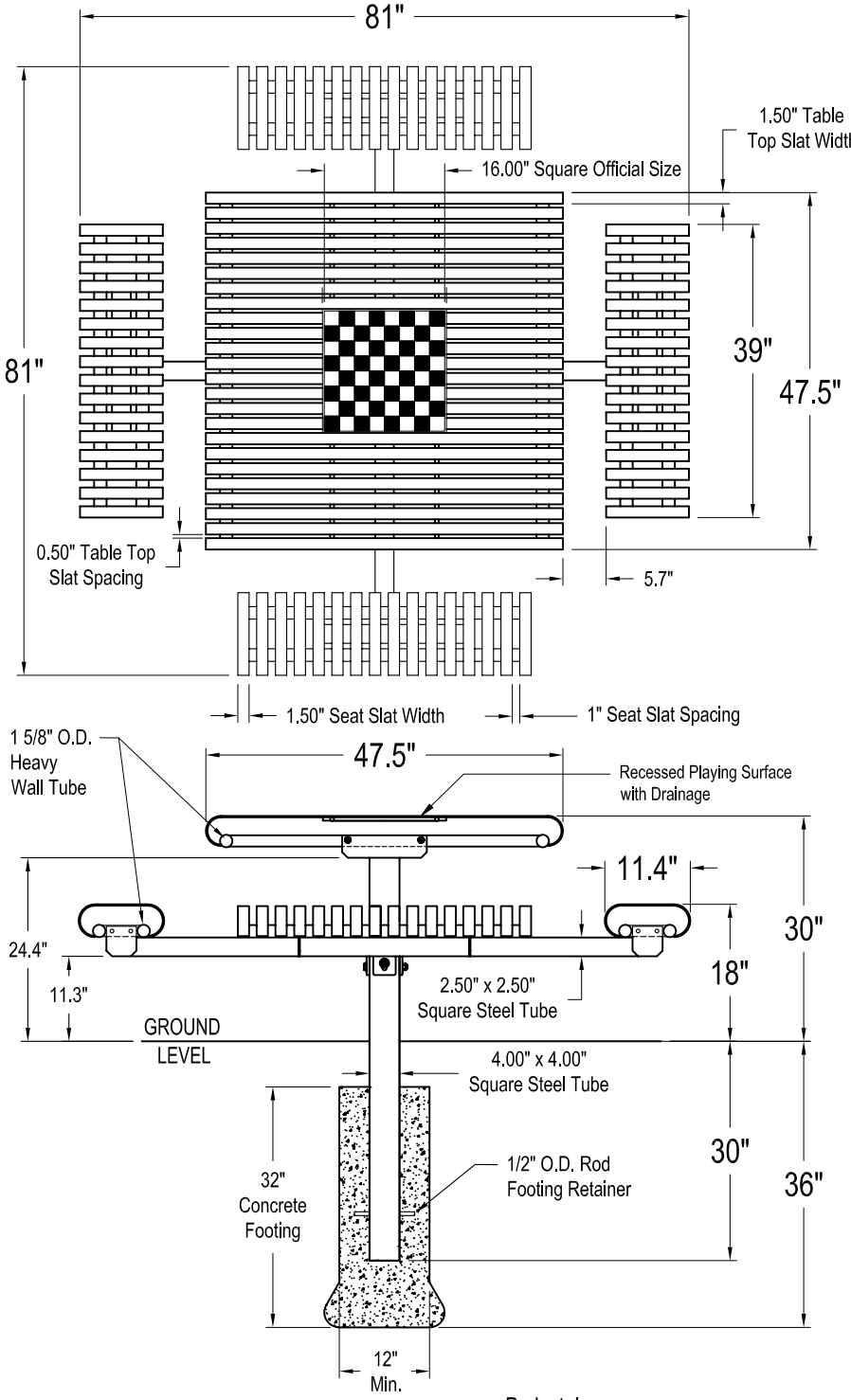
Electrostatically applied polyester powder coating over shot blasted and zinc primer coated substrate.

HARDWARE:

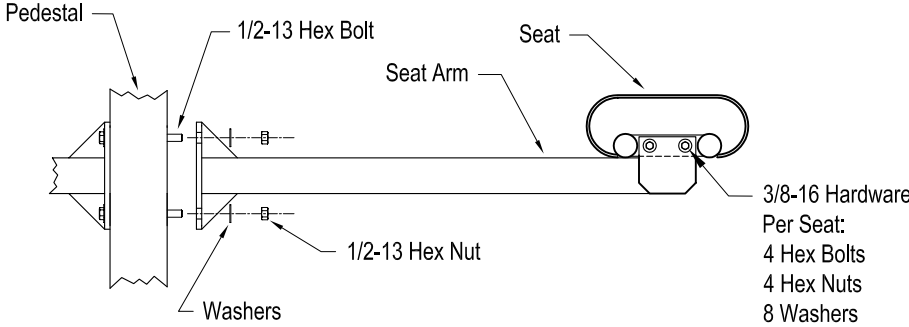
- 1/2"-13 and 3/8"-16 Stainless Steel Hex Bolts and Nuts

Note: We have endeavoured to insure that all product specifications listed on this drawing were correct at the time of publication. We reserves the right to improve, alter, or discontinue specifications without notice.

Rev. 10May07



Arm & Seat Attachment Detail:



Premier Series Single Pedestal Square Picnic Table

Accessible (3 Seat)
with Checker Board

Inground Model:
PPS-APP-CB

Specifications

MATERIAL SPECIFICATIONS:

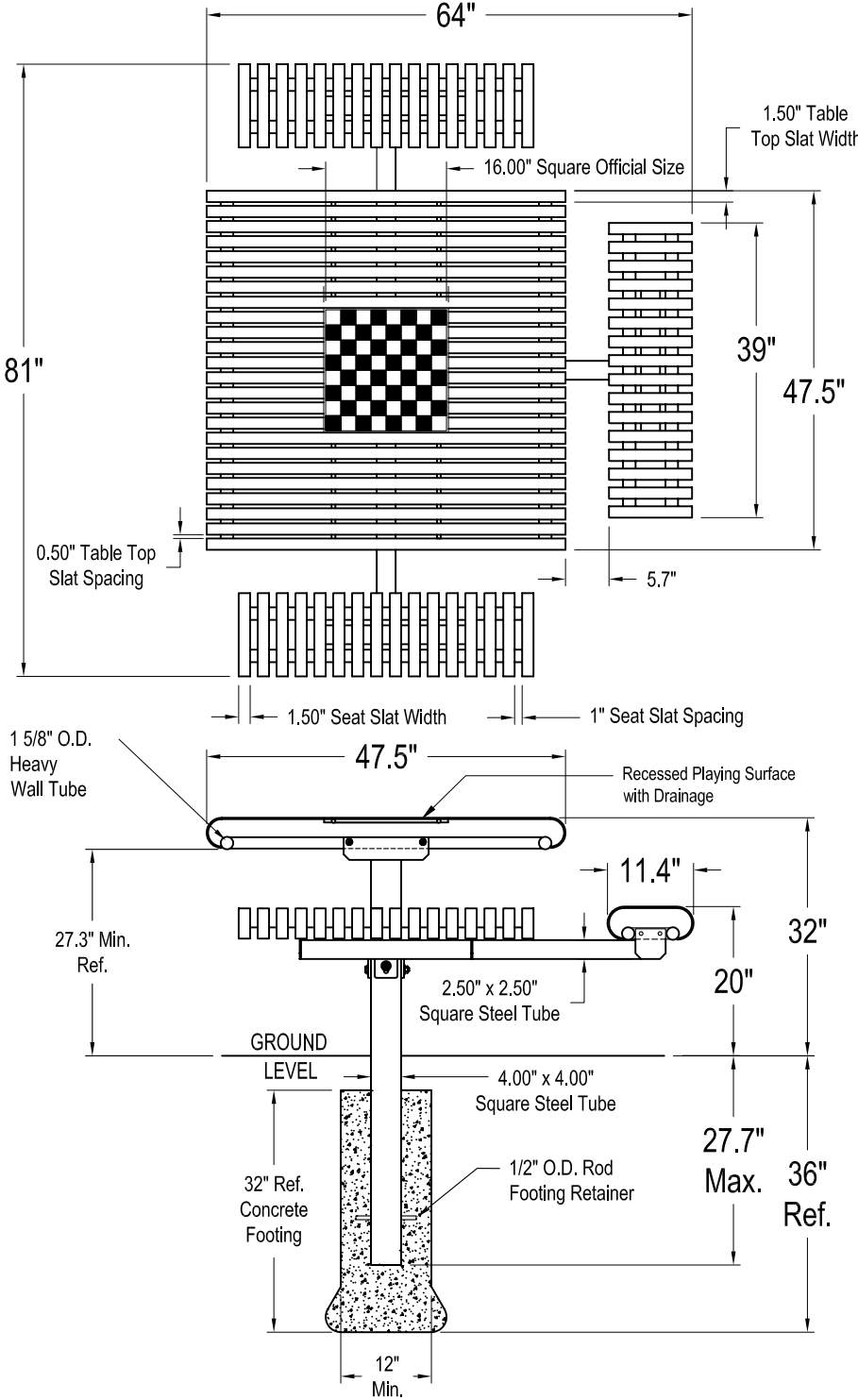
- 3/16" X 1 1/2" Flat Bar
- 1/2" O.D. Steel Rod
- 1.66" O.D. X .10" Wall Steel Tube
- 3/16", 1/4" & 3/8" Steel Plate
- 12 Ga. Galvanized Sheet Steel (Checker Board)
- 4.00" x 4.00" x .12" Wall Square Steel Tube
- 2.50" x 2.50" x .19" Wall Square Steel Tube
- 1.50" x 1.50" x .10" Wall Square Steel Tube

FINISH:
Electrostatically applied polyester powder coating over shot blasted and zinc primer coated substrate.

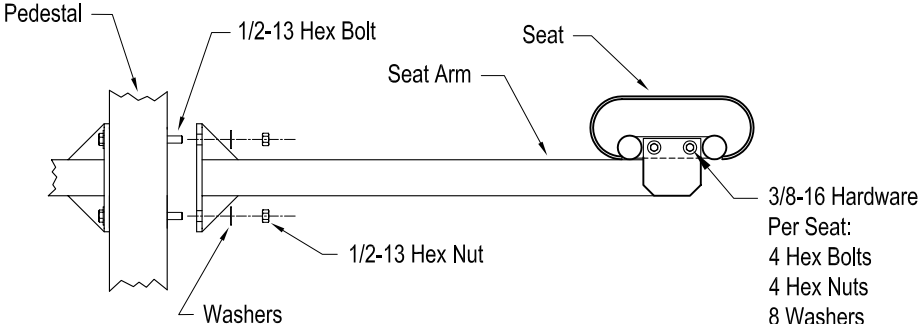
HARDWARE:
1/2"-13 and 3/8"-16 Stainless Steel
Hex Bolts and Nuts

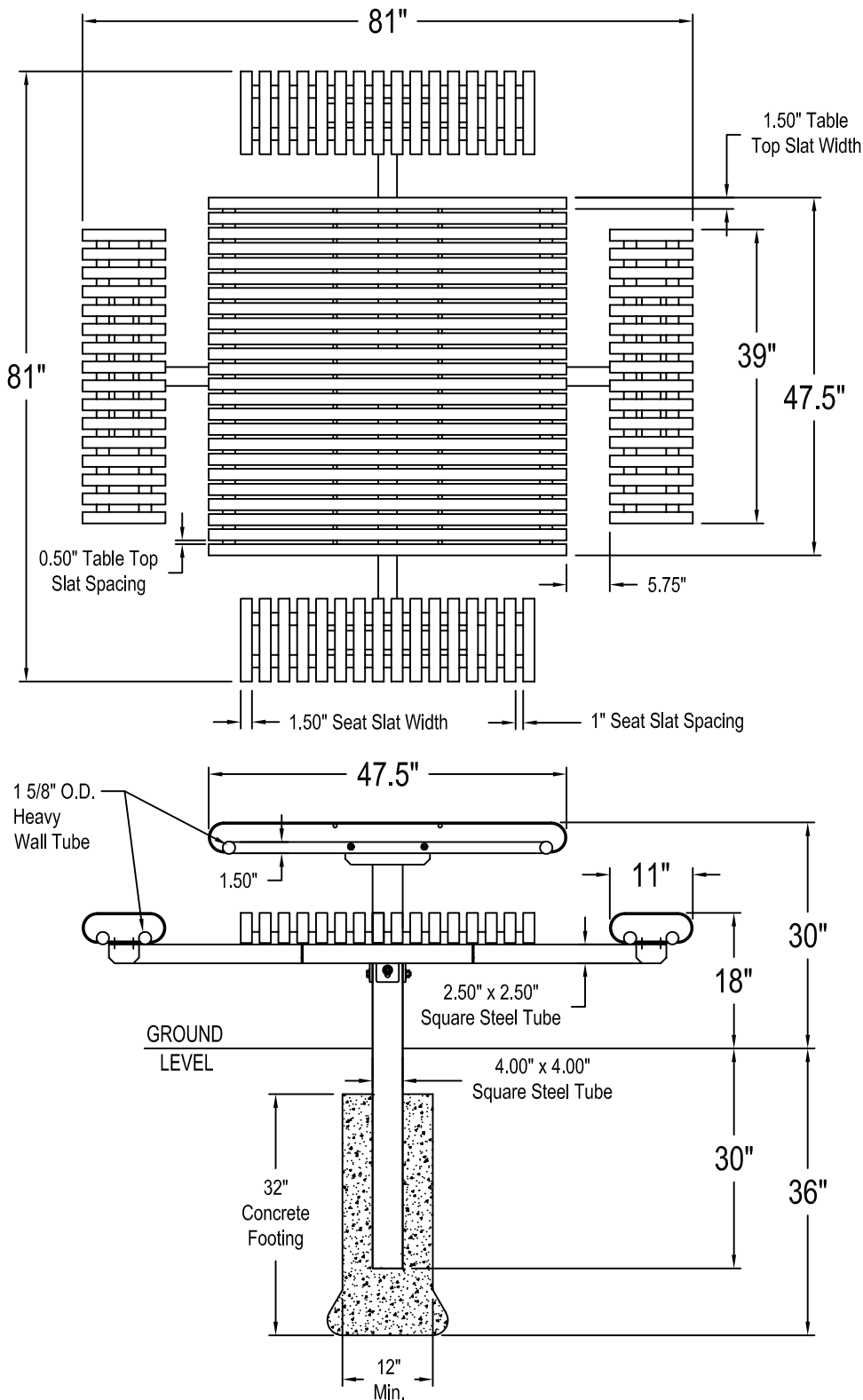
Note: We have endeavoured to insure that all product specifications listed on this drawing were correct at the time of publication. We reserves the right to improve, alter, or discontinue specifications without notice.

Rev. 22Jul10



Arm & Seat Attachment Detail:





Premier Series Single Pedestal Square Picnic Table Inground Model: PPS-4PP

Specifications

MATERIAL SPECIFICATIONS:

- 3/16" X 1 1/2" Flat Bar
- 1/2" O.D. Steel Rod
- 1.66" O.D. X .10" Wall Steel Tube
- 3/16", 1/4" & 3/8" Steel Plate
- 4.00" x 4.00" x .12" Wall Square Steel Tube
- 2.50" x 2.50" x .12" Wall Square Steel Tube
- 1.50" x 1.50" x .10" Wall Square Steel Tube

FINISH:

Electrostatically applied polyester powder coating over shot blasted and zinc primer coated substrate.

HARDWARE:

- 1/2"-13 and 3/8"-16 Stainless Steel
- Hex Bolts and Nuts

Note: We have endeavoured to insure that all product specifications listed on this drawing were correct at the time of publication. We reserves the right to improve, alter, or discontinue specifications without notice.

Rev. 13Mar07

Premier Series Single Pedestal Square Picnic Table

with Checker Board

Inground Model: PPS-4PP-CB

Specifications

MATERIAL SPECIFICATIONS:

3/16" X 1 1/2" Flat Bar
 1/2" O.D. Steel Rod
 1.66" O.D. X .10" Wall Steel Tube
 3/16", 1/4" & 3/8" Steel Plate
 12 Ga. Galvanized Sheet Steel (Checker Board)
 4.00" x 4.00" x .12" Wall Square Steel Tube
 2.50" x 2.50" x .19" Wall Square Steel Tube
 1.50" x 1.50" x .10" Wall Square Steel Tube

FINISH:

Electrostatically applied polyester powder coating over shot blasted and zinc primer coated substrate.

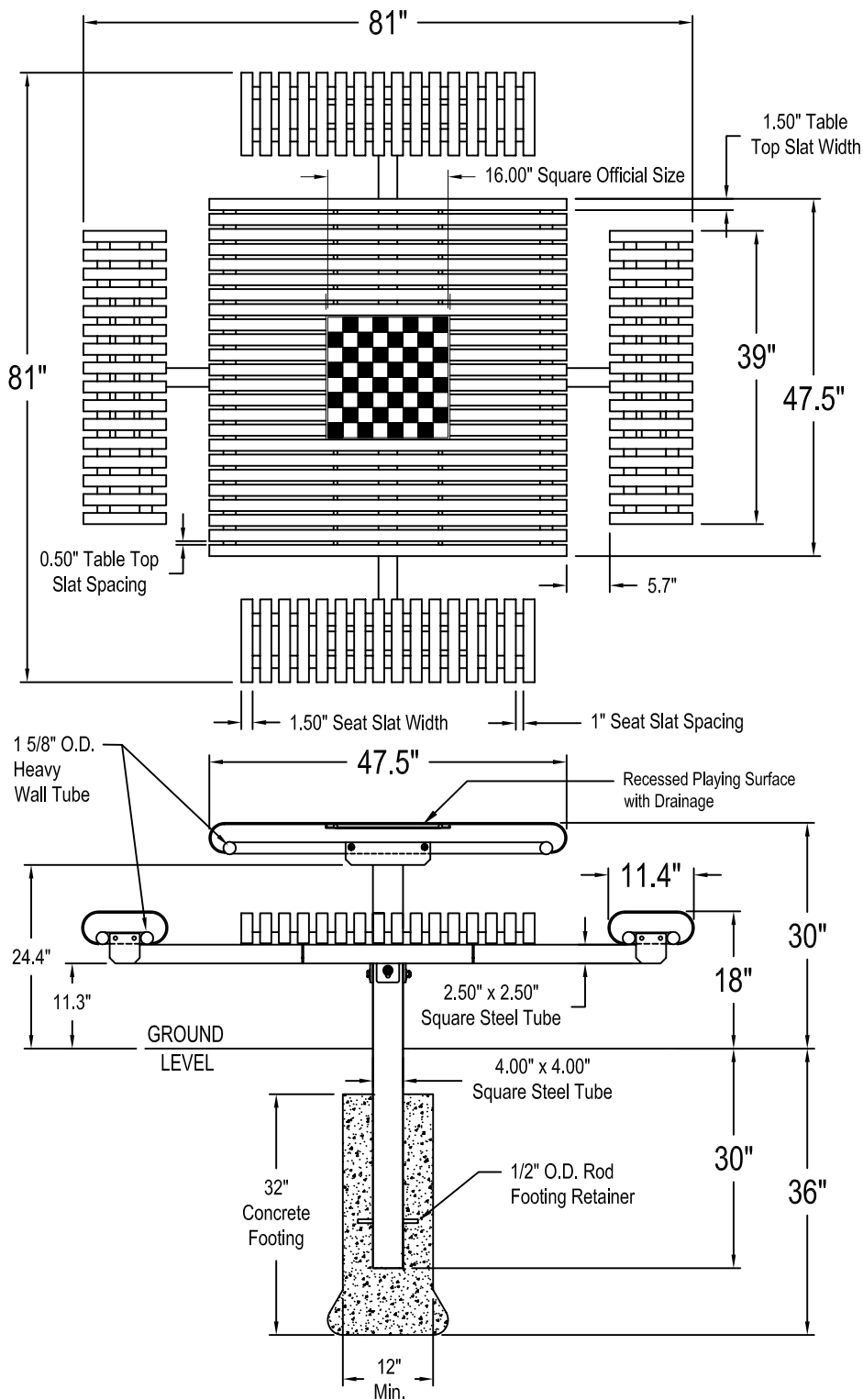
HARDWARE:

1/2"-13 and 3/8"-16 Stainless Steel
 Hex Bolts and Nuts

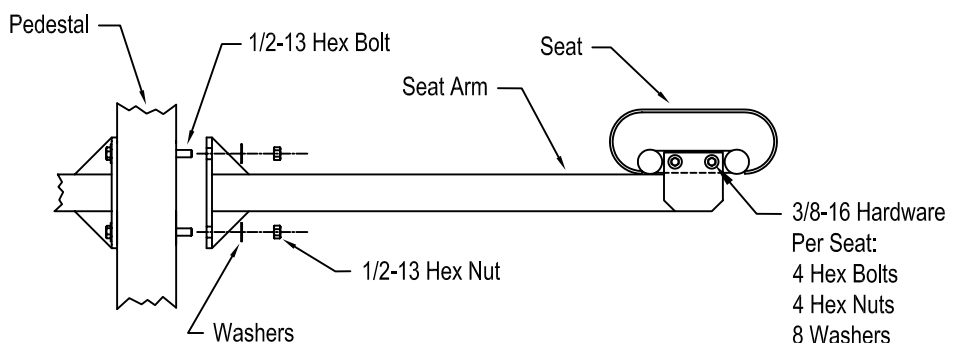
Note: We have endeavoured to insure that all product specifications listed on this drawing were correct at the time of publication.

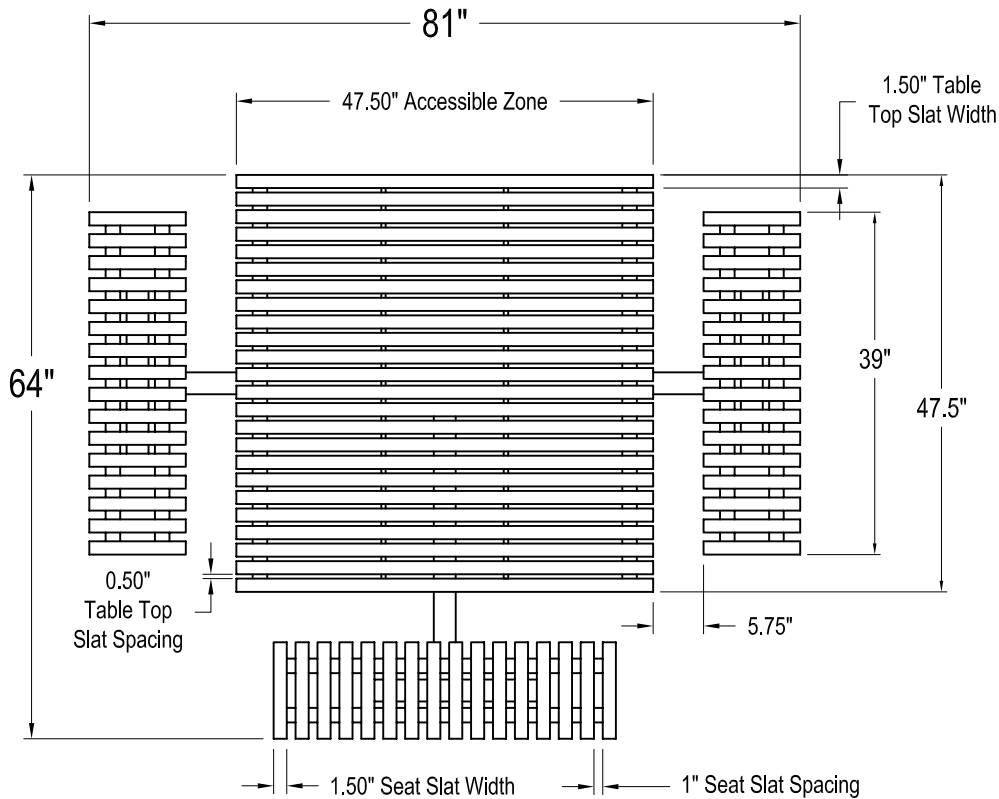
We reserves the right to improve, alter, or discontinue specifications without notice.

Rev. 15Mar07



Arm & Seat Attachment Detail:





Premier Series Single Pedestal Square Picnic Table Accessible Inground Model: PPS-APP

Specifications

MATERIAL SPECIFICATIONS:

- 3/16" X 1 1/2" Flat Bar
- 1/2" O.D. Steel Rod
- 1.66" O.D. X .10" Wall Steel Tube
- 3/16", 1/4" & 3/8" Steel Plate
- 4.00" x 4.00" x .12" Wall Square Steel Tube
- 2.50" x 2.50" x .12" Wall Square Steel Tube
- 1.50" x 1.50" x .10" Wall Square Steel Tube

FINISH:

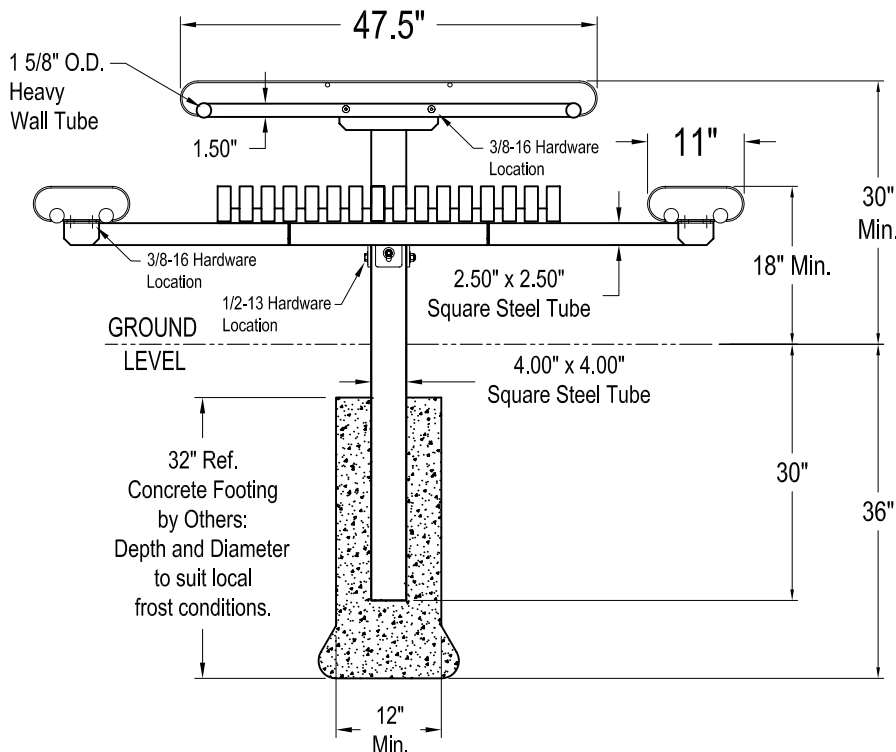
Electrostatically applied polyester powder coating over E-Coated substrate.

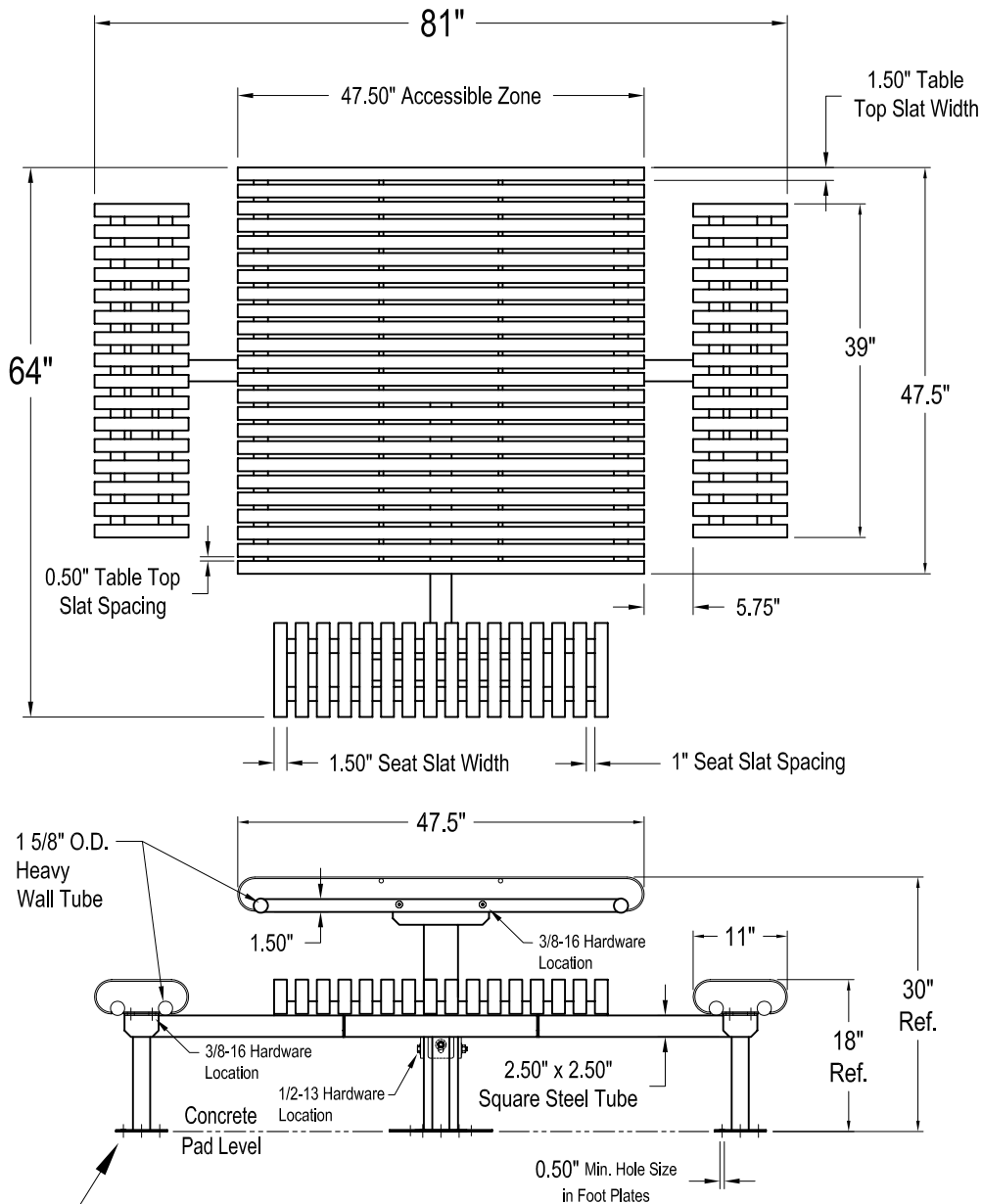
HARDWARE:

- 1/2"-13 and 3/8"-16 Stainless Steel Hex Bolts and Nuts

Note: We have endeavoured to insure that all product specifications listed on this drawing were correct at the time of publication. We reserve the right to improve, alter, or discontinue specifications without notice.

Rev. 08Dec10





Surface Anchoring Notes:

Fully assemble unit prior to marking anchoring hole locations on the concrete pad. The concrete pad should be a minimum of 3" thick and fully cured. Use the assembled and trued unit as a template to locate and then drill holes appropriate for the type of anchors selected. (Anchoring Hardware Not Included.)

Premier Series Single Pedestal Square Picnic Table

Accessible
Surface Mount Model:
PPS-APP-SM

Specifications

MATERIAL SPECIFICATIONS:

3/16" X 1 1/2" Flat Bar
1/2" O.D. Steel Rod
1.66" O.D. X .10" Wall Steel Tube
3/16", 1/4" & 3/8" Steel Plate
4.00" x 4.00" x .12" Wall Square Steel Tube
2.50" x 2.50" x .12" Wall Square Steel Tube
2.00" x 2.00" x .12" Wall Square Steel Tube
1.50" x 1.50" x .10" Wall Square Steel Tube

FINISH:

Electrostatically applied polyester powder coating over E-Coated substrate.

HARDWARE:

1/2"-13 and 3/8"-16 Stainless Steel
Hex Bolts and Nuts.
Anchoring Hardware Not Included.

Note: We have endeavoured to insure that all product specifications listed on this drawing were correct at the time of publication.

We reserve the right to improve, alter, or discontinue specifications without notice.