

TERRA BOUND SOLUTIONS

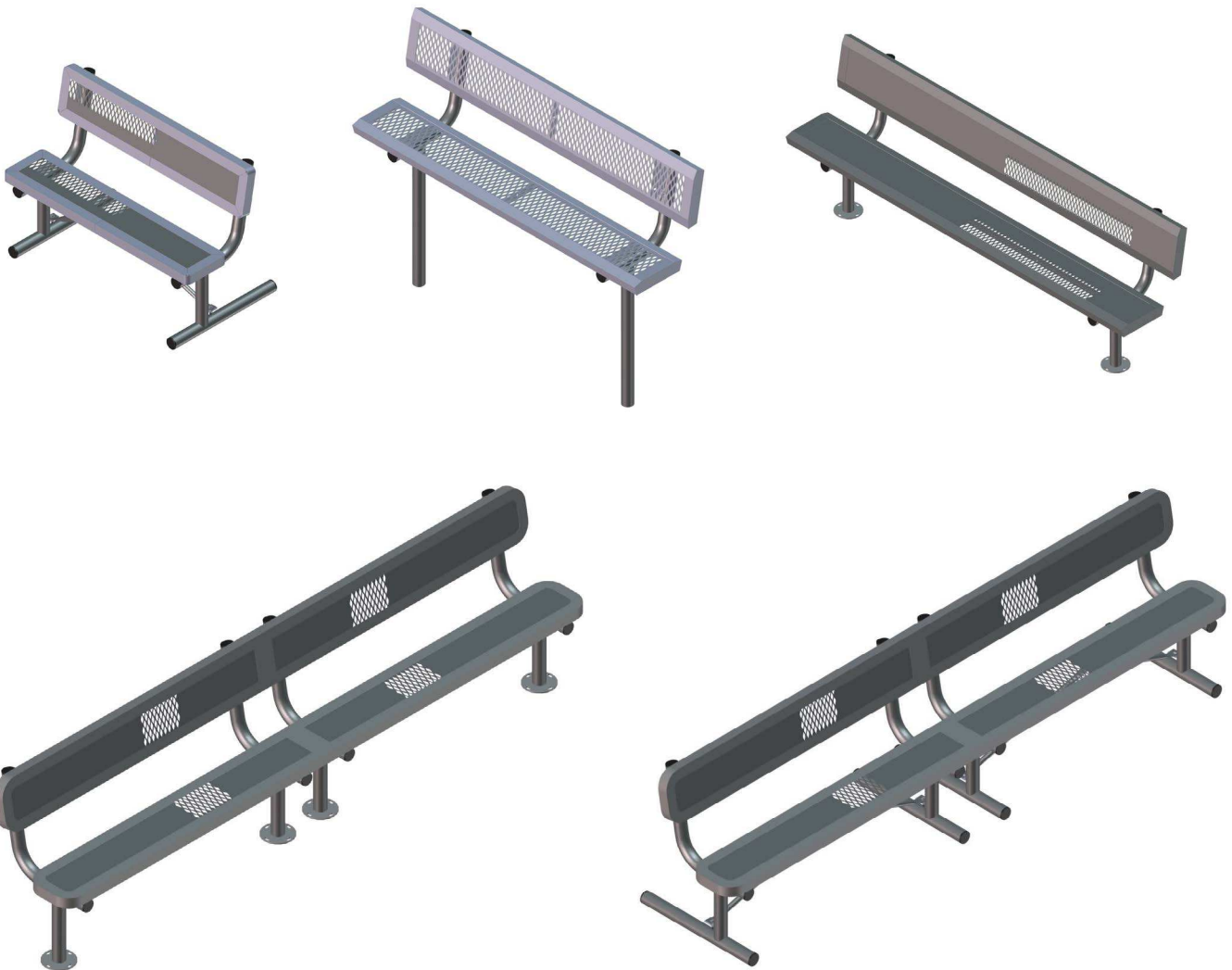
Office: 1-877-857-2915

Fax: 281-288-2870

www.TerraBoundSolutions.com

20020 Hickory Twig Way * Spring, TX * 77388

STANDARD BENCH WITH BACK



STANDARD BENCH WITH BACK

	4'	6'	8'	10'	15'
REGAL	B4WBRC	B6WBRC	B8WBRC	B10WBRC	B15WBRC
PERFORATED	N/A	B6WBPERF	B8WBPERF	N/A	N/A
INNOVATED	B4WBINNV	B6WBINNV	B8WBINNV	B10WBINNV	B15WBINNV
INFINITY	B4WBINF	B6WBINF	B8WBINF	B10WBINF	B15WBINF
INFINITY INNOVATED	B4WBINFINNV	B6WBINFINNV	B8WBINFINNV	B10WBINFINNV	B15WBINFINNV
ROLLED	N/A	B6WBROLL	B8WBROLL	N/A	N/A
INNOVATED ROLLED	B4WBINNVROLL	B6WBINNVROLL	B8WBINNVROLL	N/A	N/A
CLASSIC ROLLED	B4WBCLASSROLL	B6WBCLASSROLL	B8WBCLASSROLL	N/A	N/A
PLASTI-PLANK	B4WBPP	B6WBPP	B8WBPP	N/A	N/A
ULTRA LEISURE	N/A	B6WBUL	B8WBUL	N/A	N/A
ULTRA LEISURE PERFORATED	N/A	B6WBULPERF	B8WBULPERF	N/A	N/A
L-SERIES	N/A	B6WBL	B8WBL	N/A	N/A

S = IN-GROUND MOUNT
SM = SURFACE MOUNT
POR = PORTABLE

ASSEMBLY INSTRUCTIONS

RECOMMENDED CREW: Minimum 2 people

TOOLS REQUIRED:

Cardboard from packaging / Drop cloth

Level

Ratchet with 1/2" socket

1/2" open-end wrench or box-end wrench

Auger/Shovel/Post hole digger

ASSEMBLY TIME: 1 hour

CONCRETE REQUIRED: 1.57 cubic feet per hole (if applicable)

NOTE: Concrete must have a minimum rating of 2,500 psi and must be mixed per manufacturer's recommendations.

PRE-ASSEMBLY CHECK:

Inspect the shipment for damage and conduct a thorough inventory to determine that all parts and hardware are present and verify that all tools needed for assembly are on hand.

We are not responsible for items discovered missing or damaged after 72 hours from time of delivery!

If you have a question regarding anything covered in this manual, please call the number listed on the front page of these instructions.

It is very important to use care when assembling and moving the equipment. Do not drag the equipment across any surface.

This equipment requires periodic cleaning with a sponge or soft cloth and a solution of mild detergent and water. You may also use a solution of 50/50 bleach/water if necessary. Do not clean with a solvent or petroleum-based products.

A pressure washer may be used for cleaning (follow manufacturer's recommendations for nozzle type and distance from surface to avoid damaging finish).

You may use a hair dryer to smooth out the plastisol/PVC coating if it becomes dented.

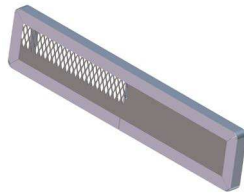
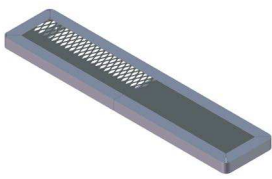


WARNING!

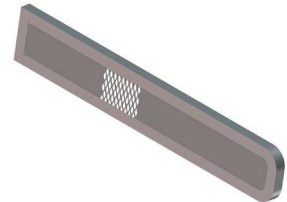
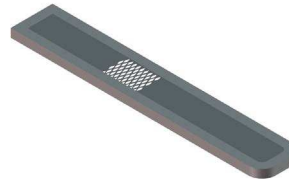
Furniture must not be used other than for its intended purpose. It should be inspected regularly for loose, missing or broken hardware and general instability. Furniture that is damaged or appears to be unstable must be removed from service and repaired or replaced. Repairs must be made using only factory authorized parts and methods.

ASSEMBLY INSTRUCTIONS

PARTS IDENTIFICATION



Seat/Back for 4', 6' and 8' benches
Qty. 2 for 4', 6' and 8' benches



Seat/Back for 10' and 15' benches
Qty. 4 for 10' and 15' benches



In Ground Frame Leg
Qty. 2 for 4', 6' and 8' in-ground benches
Qty. 4 for 10' and 15' in-ground benches



Surface Mount Frame Leg
Qty. 2 for 4', 6' and 8' surface mount benches
Qty. 4 for 10' and 15' surface mount benches



Portable Frame Leg
Qty. 2 for 4', 6' and 8' portable benches
Qty. 4 for 10' and 15' portable benches



Diagonal Brace
Qty. 2 for 4', 6' and 8' portable benches
Qty. 4 for 10' and 15' portable benches



Bolt - 5/16\"-18x1-1/2\" Hex
Grade 5 Zinc
Qty. 4 per bench leg
Qty. 2 per diagonal brace
Qty. 4 per seat joint



Washer - 5/16\" Flat Zinc
Qty. 8 per bench leg
Qty. 4 per diagonal brace
Qty. 8 per seat joint



Nut - 5/16\" Nylock
Qty. 4 per bench leg
Qty. 2 per diagonal brace
Qty. 4 per seat joint



Bolt Guard - 5/16\"
Qty. 4 per bench leg
Qty. 2 per diagonal brace
Qty. 4 per seat joint

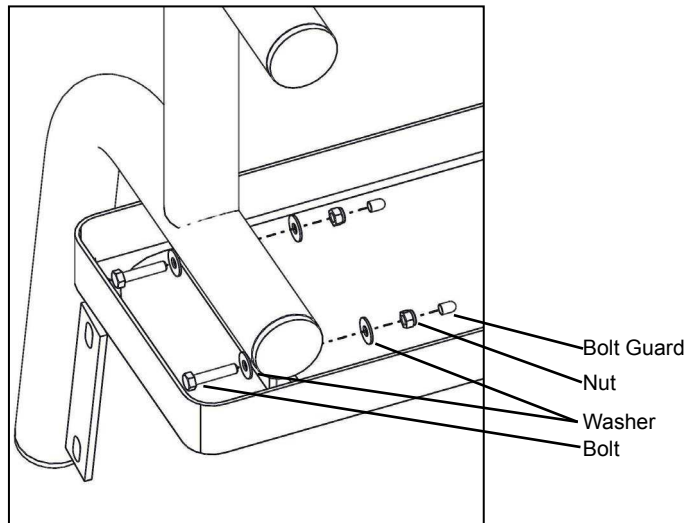
ASSEMBLY INSTRUCTIONS

Lay bench seat upside down on the packaging material or a drop cloth on a smooth, flat surface to avoid damaging/scratching the product. **NOTE:** Use caution throughout the assembly/placement of the bench not to drag or slide any part of the bench across any surface.

Attach frames/legs to bench as shown below. Gently tighten until all hardware is installed. Then tighten all.

Frame/Leg to Bench (portable frame shown)

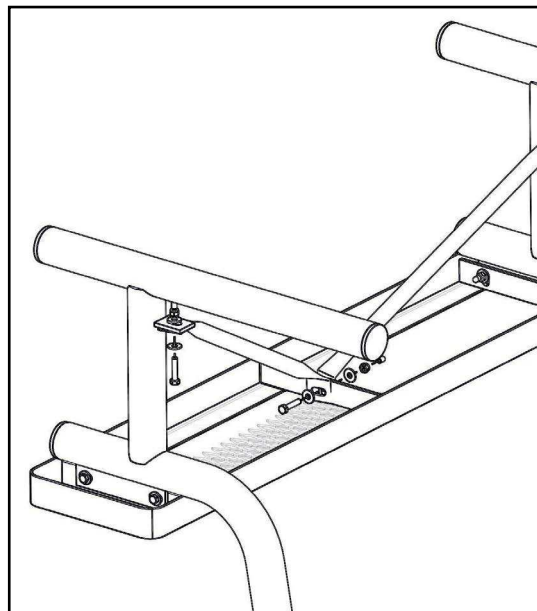
- 1 - 5/16" x 1-1/2" Hex Bolt
- 2 - 5/16" Flat Washers
- 1 - 5/16" Nylon Lock Nut
- 1 - 5/16" Bolt Guard



If bench is a portable design, attach diagonal braces as shown below. Gently tighten until all hardware is installed. Then tighten all.

Diagonal Brace to Leg/Bench Hardware Detail

- 1 - 5/16" x 1-1/2" Hex Bolt
- 2 - 5/16" Flat Washers
- 1 - 5/16" Nylon Lock Nut
- 1 - 5/16" Bolt Guard



Carefully turn bench right side up and set in place.

ASSEMBLY INSTRUCTIONS

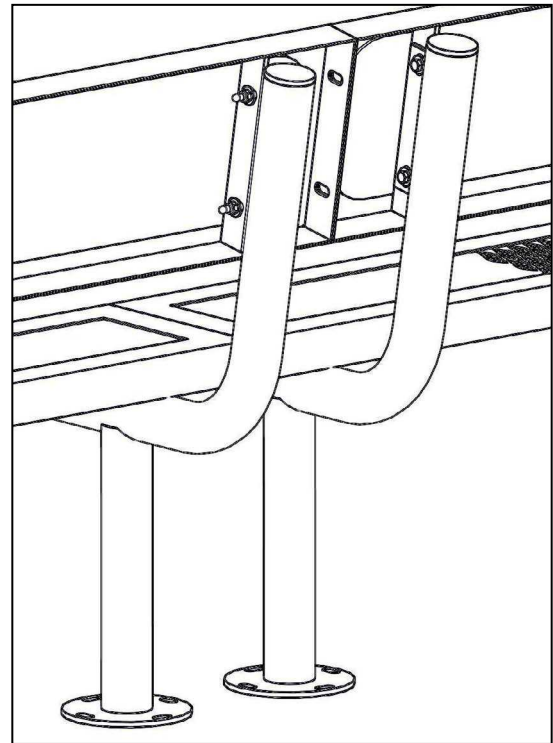
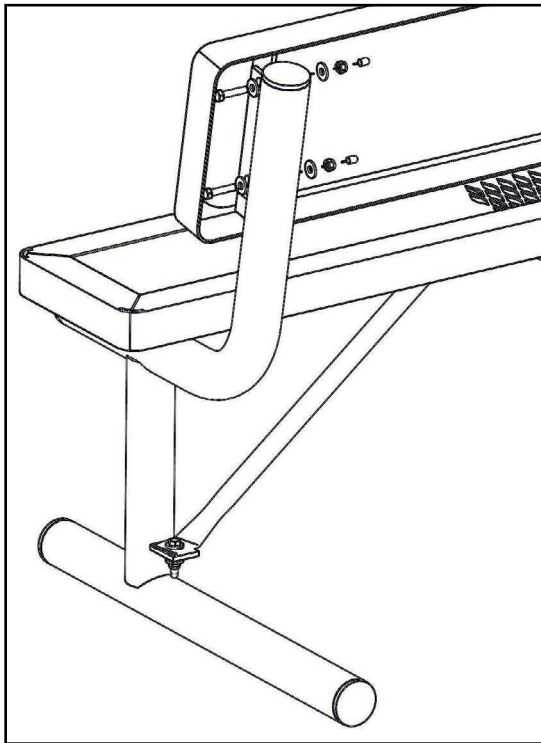
Attach back to bench as shown below. Gently tighten until all hardware is installed. Then tighten all.

Bench Back to Frame Hardware Detail (per connection) (portable frame shown)

- 1 - 5/16" x 1-1/2" Hex Bolt
- 2 - 5/16" Flat Washers
- 1 - 5/16" Nylon Lock Nut
- 1 - 5/16" Bolt Guard

Bench Back to Frame (10' or 15' Bench shown)

- 1 - 5/16" x 1-1/2" Hex Bolt
- 2 - 5/16" Flat Washers
- 1 - 5/16" Nylon Lock Nut
- 1 - 5/16" Bolt Guard



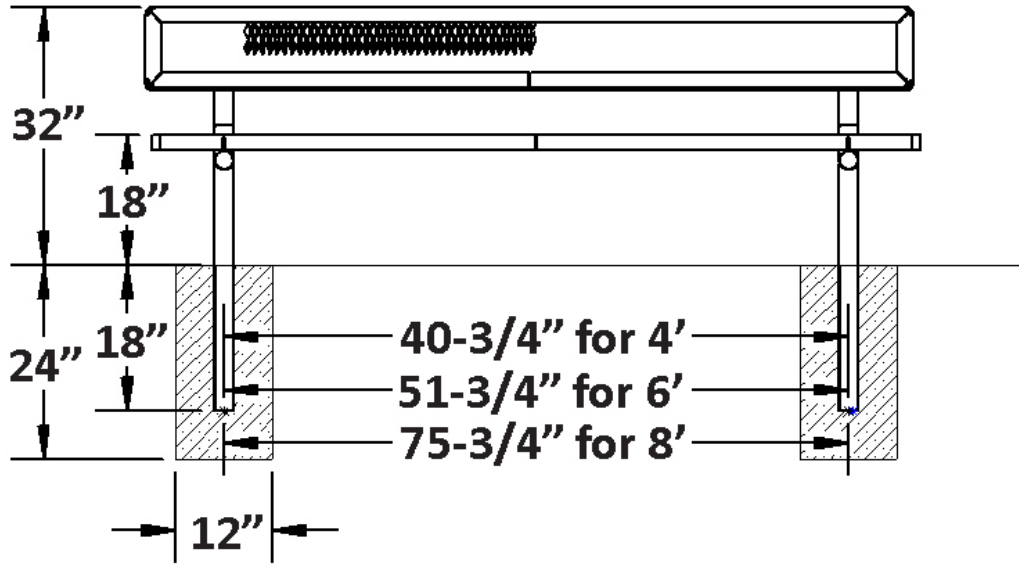
If bench is portable, the assembly is complete.

If bench is surface mount, secure bench to ground using hardware specified by your local engineer.

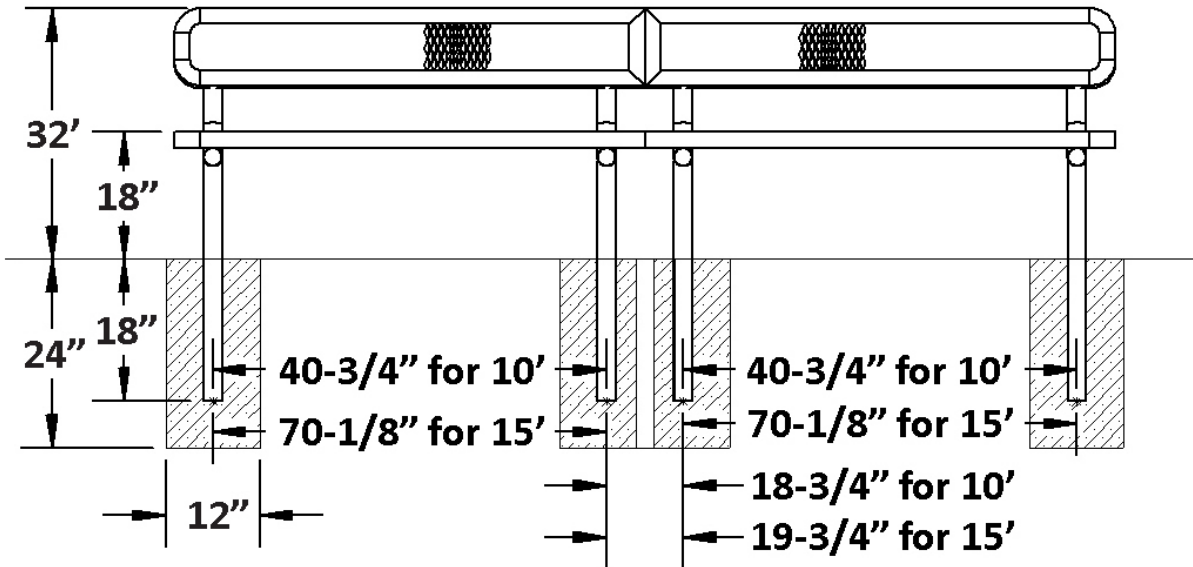
If bench is an in-ground mount, excavate footing holes per drawings on last page and set bench in place in footings. Block and brace to correct height. Top of seat will be approximately 18" above ground. Pour concrete in footings to correct level. Fill remainder of hole with dirt. Allow concrete to harden for at least 48 hours before use. **NOTE:** Concrete must have a minimum rating of 2,500 psi and must be mixed per manufacturer's recommendations.

For all benches, approximately two weeks after assembly, verify bench is level and retighten all hardware

ASSEMBLY INSTRUCTIONS



4', 6' AND 8' SIDE VIEW



10' AND 15' SIDE VIEW

ELEVATION

Seats will be approximately 18" above the ground.

Dimensions shown are for reference only and may vary based on style, installation and manufacture.