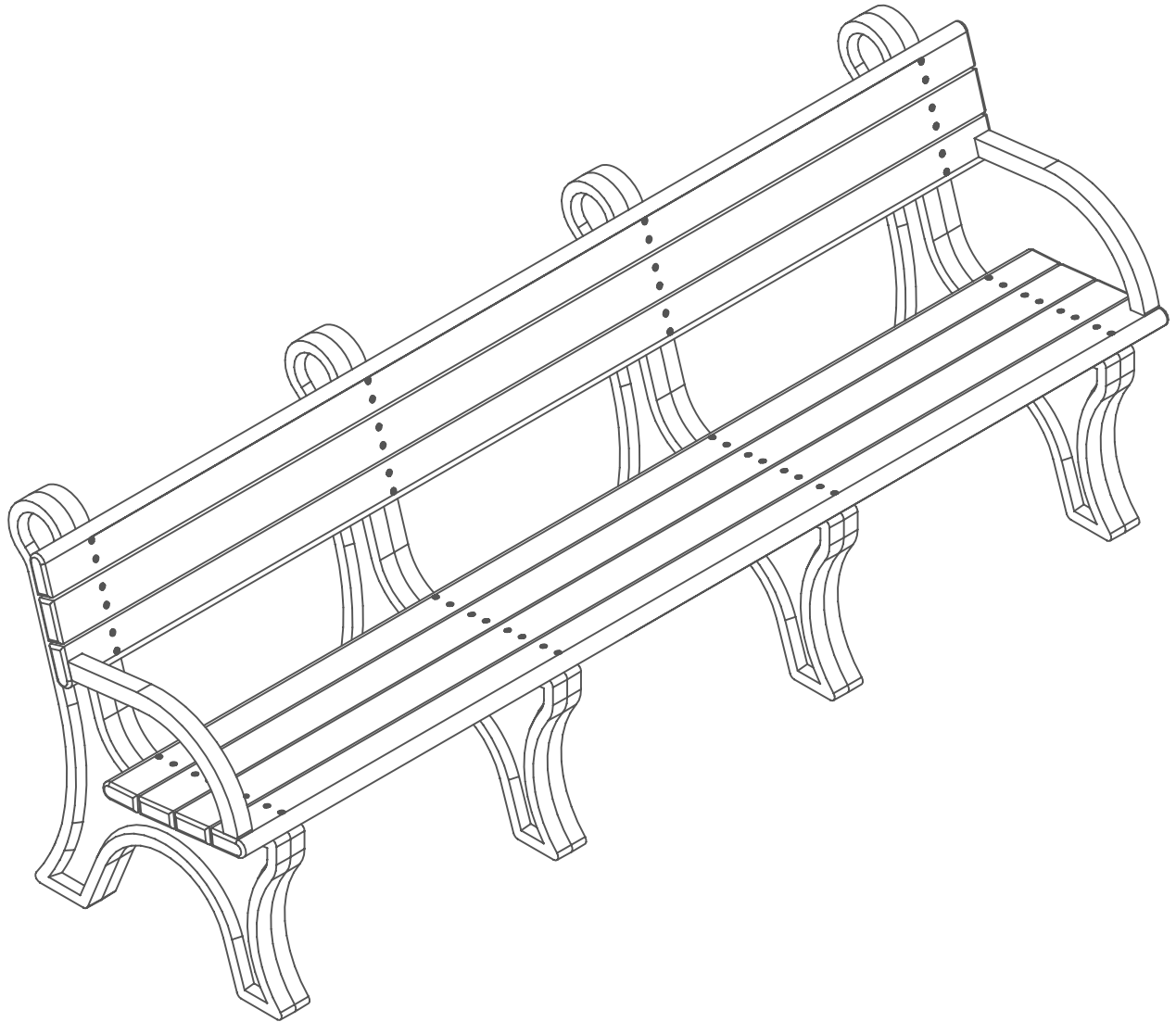


# 8 Foot Park Classic Bench w/Arms

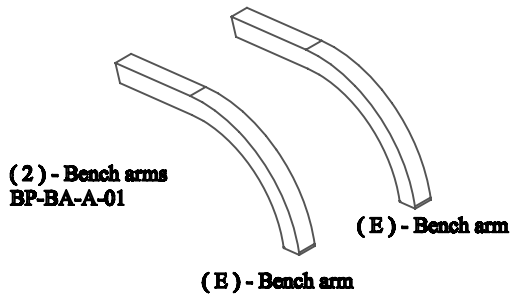
For Fastener Pack  
(FP-PC8BA-CU-01)



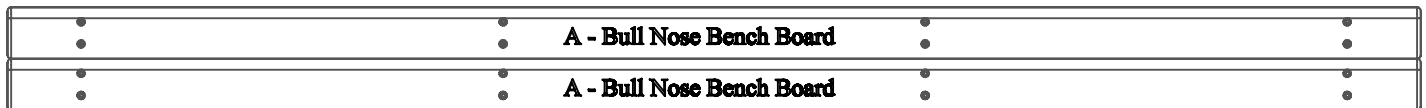
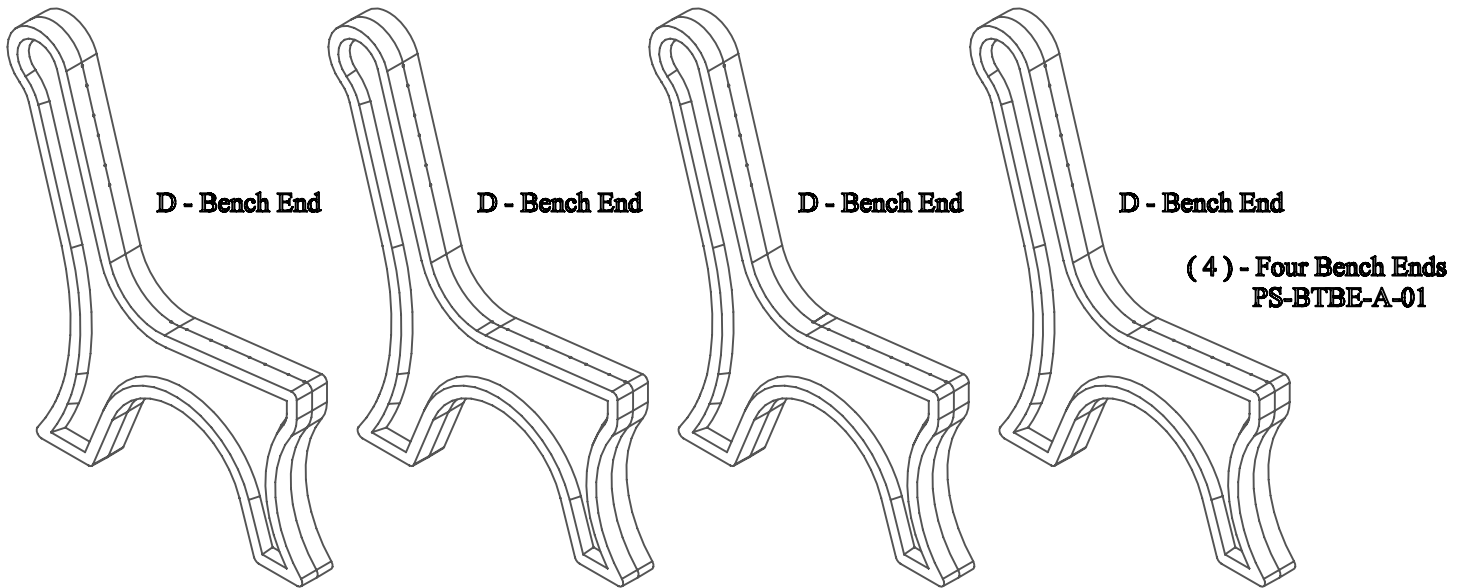
Congratulations !!

You have just purchased the finest recycled plastic  
park bench available. Enjoy !!!

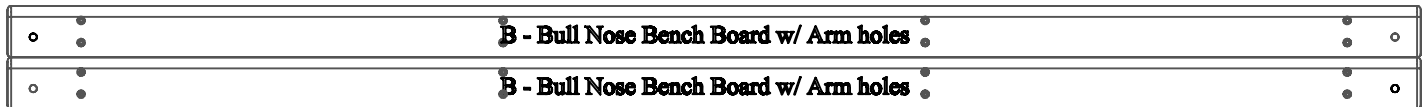
Before assembly, please make sure all components are included.



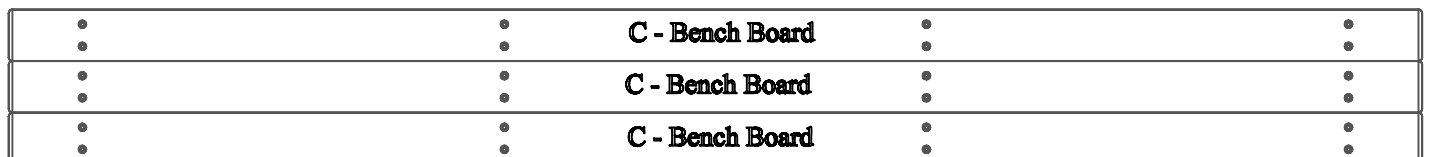
(1) - One Fastener Pack  
FP-PC8BA-CU-01



(2) - Two Bull Nose Bench Boards  
BP-PC8B-A-01



(2) - Two Bull Nose Bench Boards w Arm holes  
BP-PC8BA-A-01



(3) - Three Bench Boards  
BP-DB8B-A-02

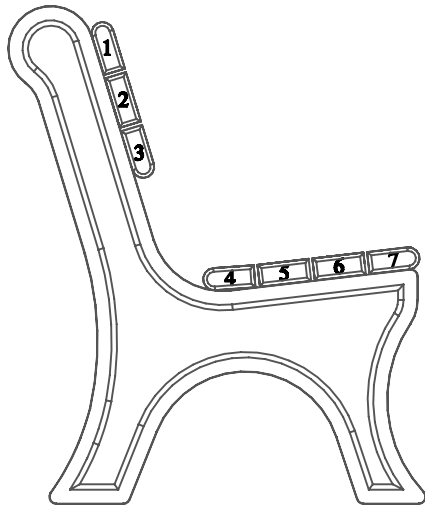
Before assembly, please make sure all fasteners are included.

60 #12 x 3" Flat Head Phillips Screw



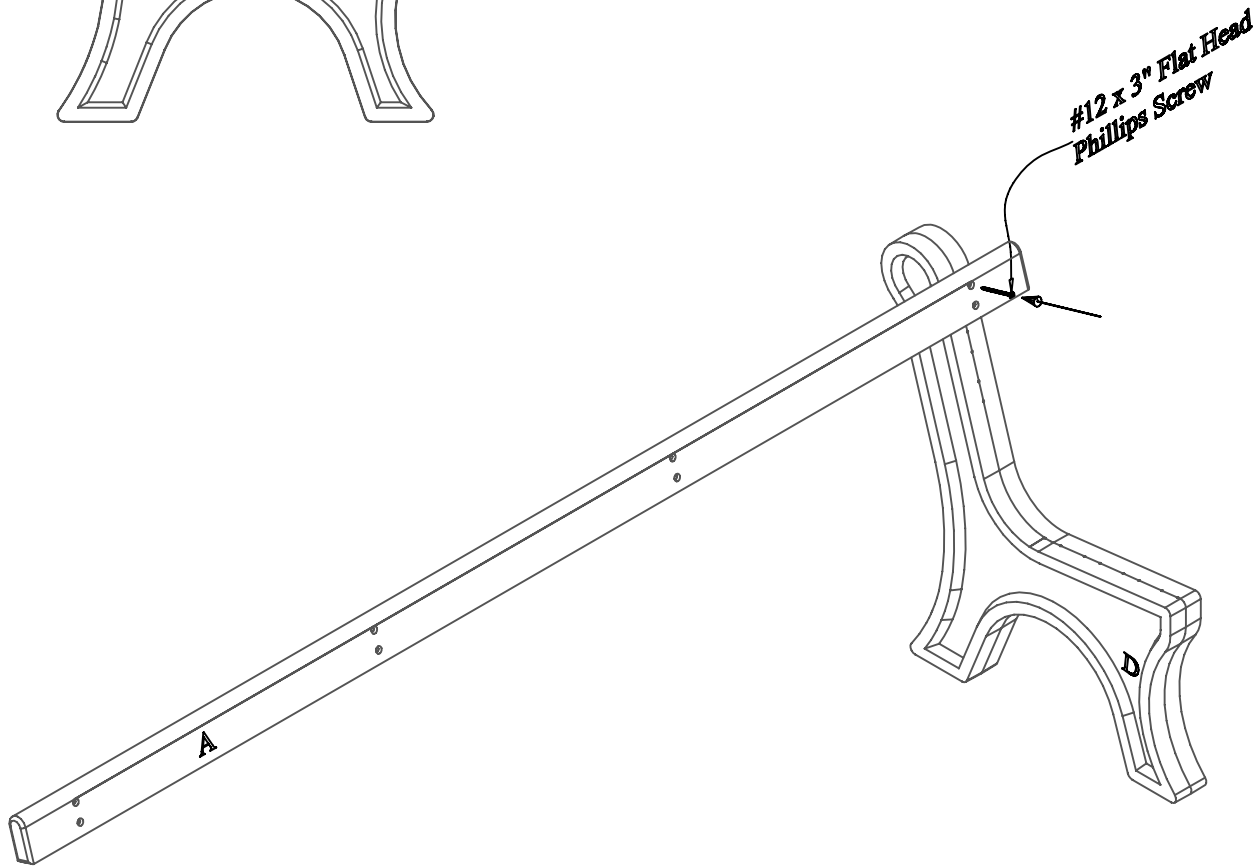
Also needed for this assembly will be the following materials:

1 - #3 Phillips Drive Bit



**Fig #1:**

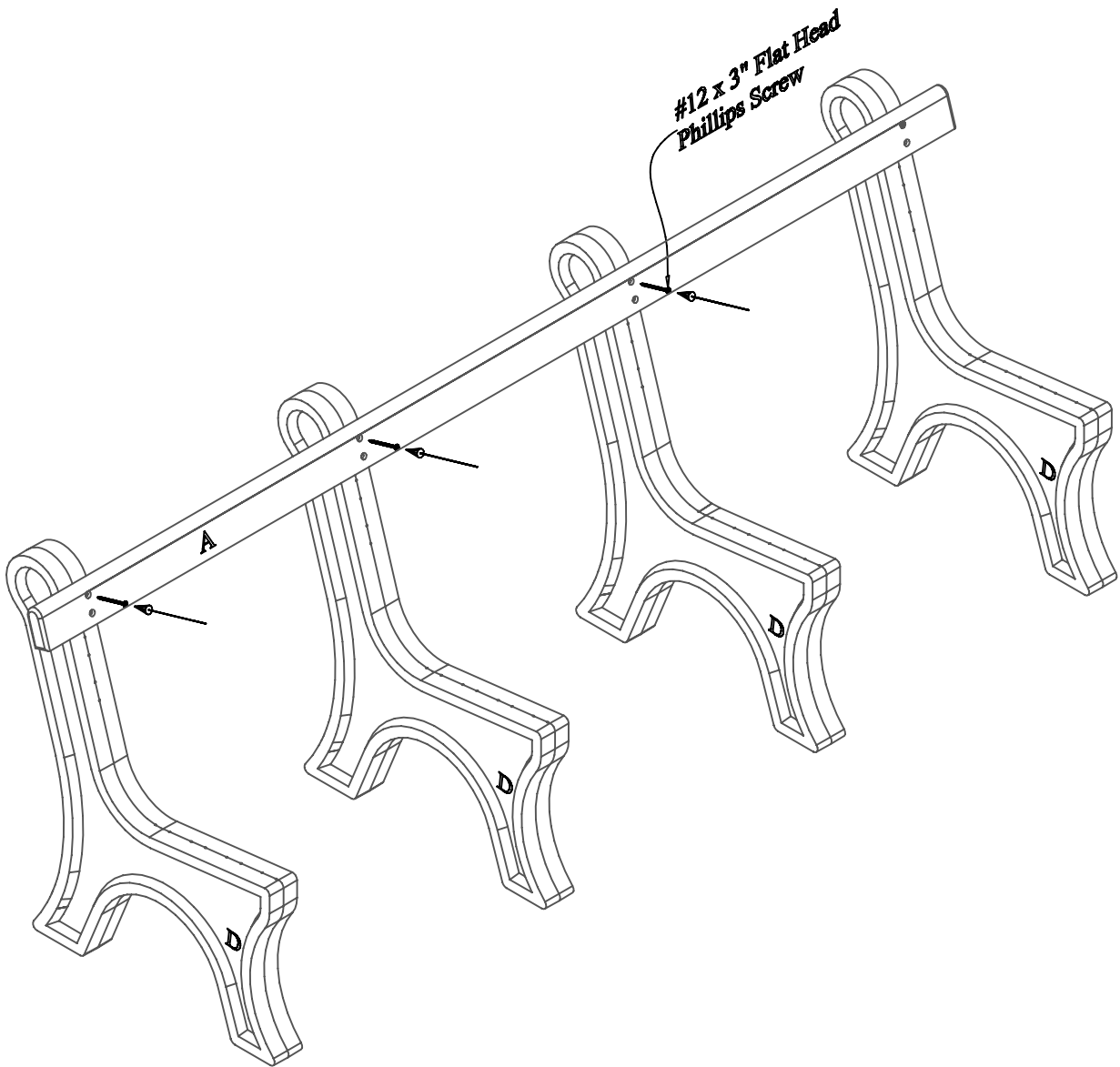
In order to make the assembly of this Park Classic Bench easier while going through the assembly process the board positions are numbered and will be referenced in later steps.



**Step #1:**

Stand (1) One bench end upright and place (1) One Bull Nose bench board on position 1 being sure to align the pre-drilled holes to the pilot holes in the bench end. After the holes are properly aligned, fasten with (1) One #12 x 3" Flat Head Phillips Screw in the top pre-drilled hole.

Note: Do not tighten screw completely. This will be done in a later step.



### Step #2:

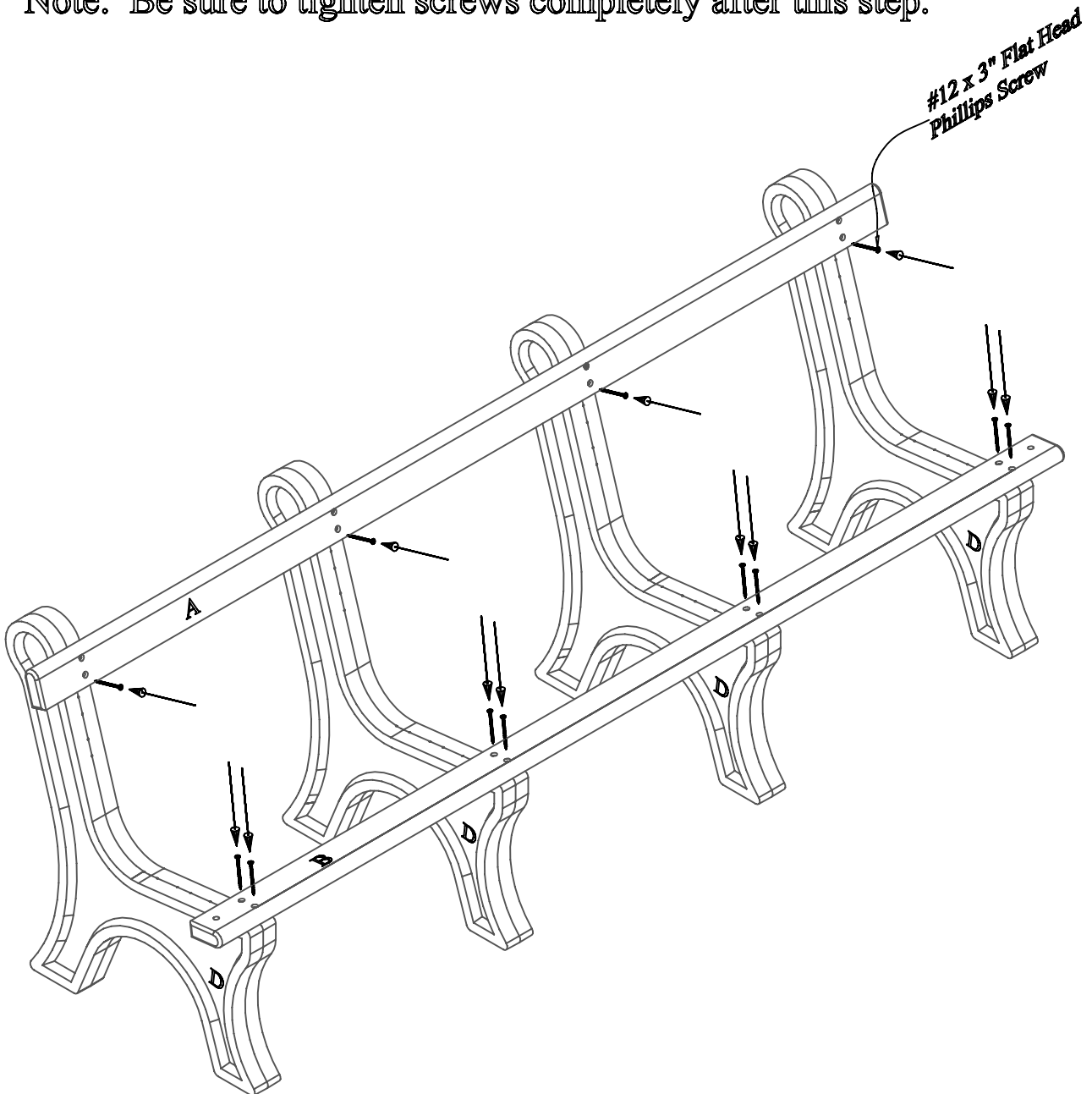
Stand the other (3) Three bench ends upright, one at a time, and place the bench board already attached to the first bench end, on position 1 being sure to align the pre-drilled holes to the pilot holes in the bench end. After the holes are properly aligned, fasten with (1) One #12 x 3" Flat Head Phillips Screw in the top pre-drilled hole.

Note: Do not tighten screws completely. This will be done in a later step.

### Step #3:

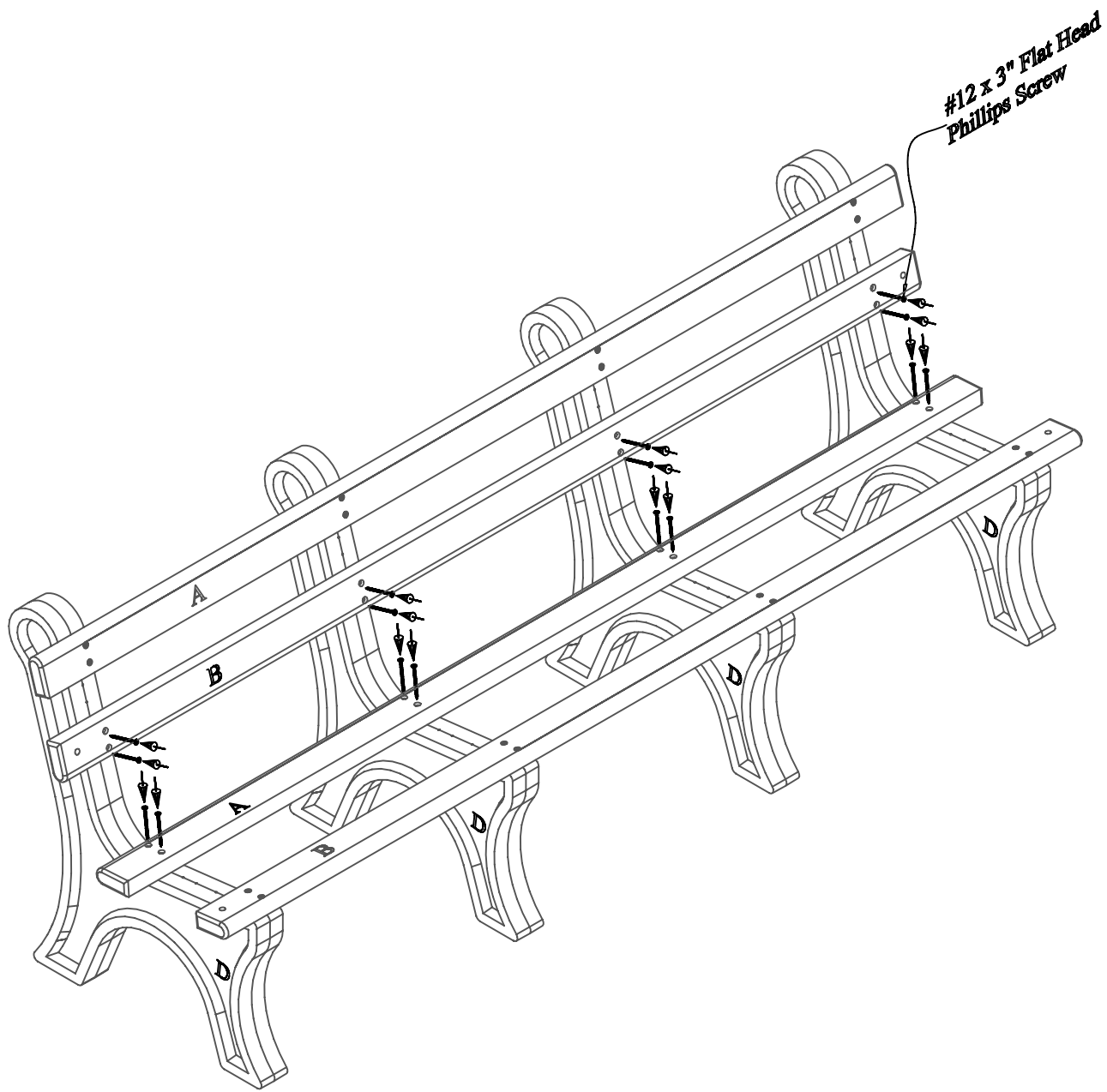
Align the bottom pre-drilled holes to the pilot holes in the bench end. After the holes are properly aligned, fasten with (1) One #12 x 3" Flat Head Phillips Screw per hole.

Note: Be sure to tighten screws completely after this step.



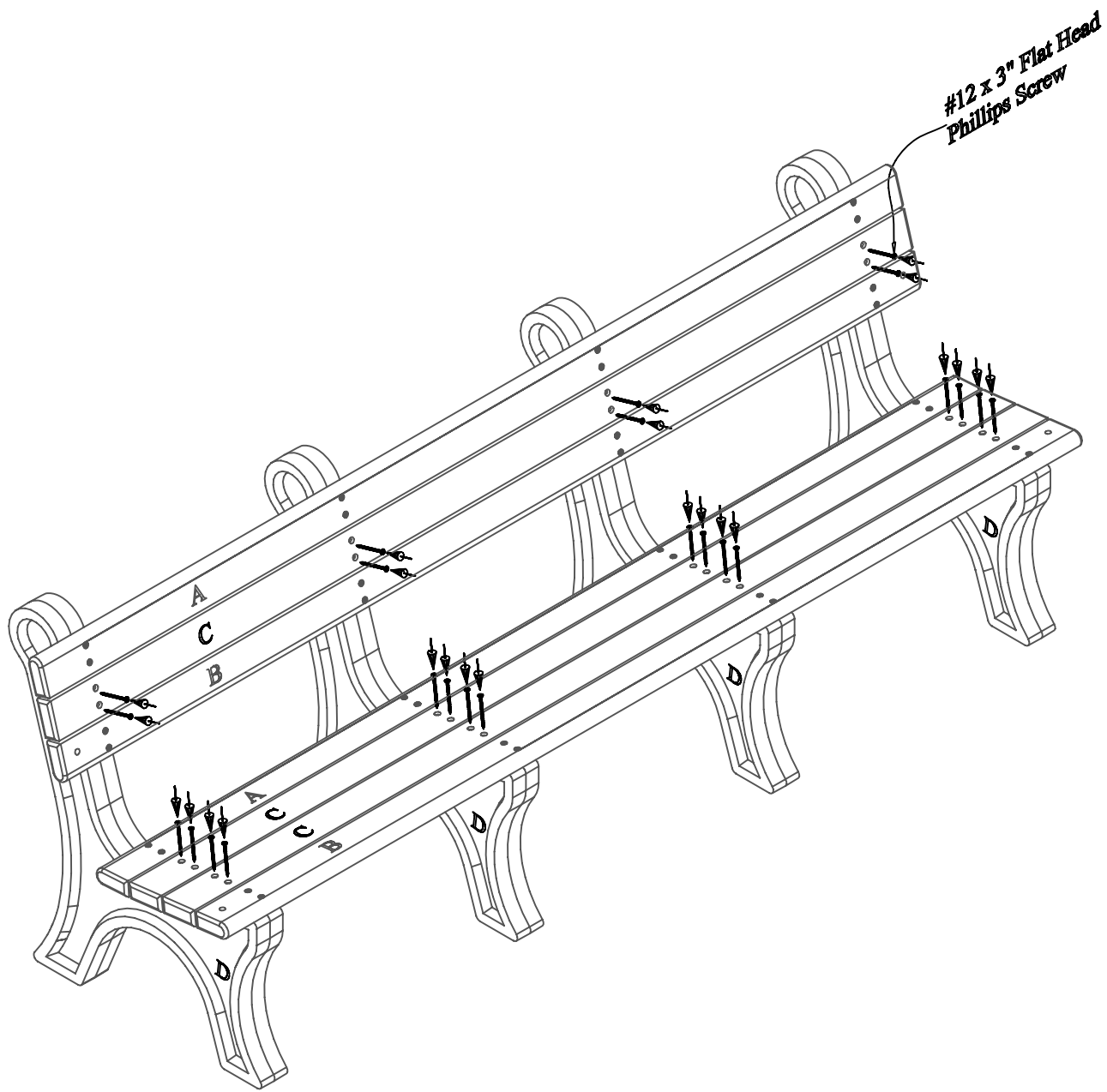
### Step #4:

Place a bull nose bench board w/ Arm holes on position 7 as shown above. Repeat Steps 1 - 3 to attach. Use (1) One #12 x 3" Flat Head Phillips Screw per hole to fasten.



**Step #5:**

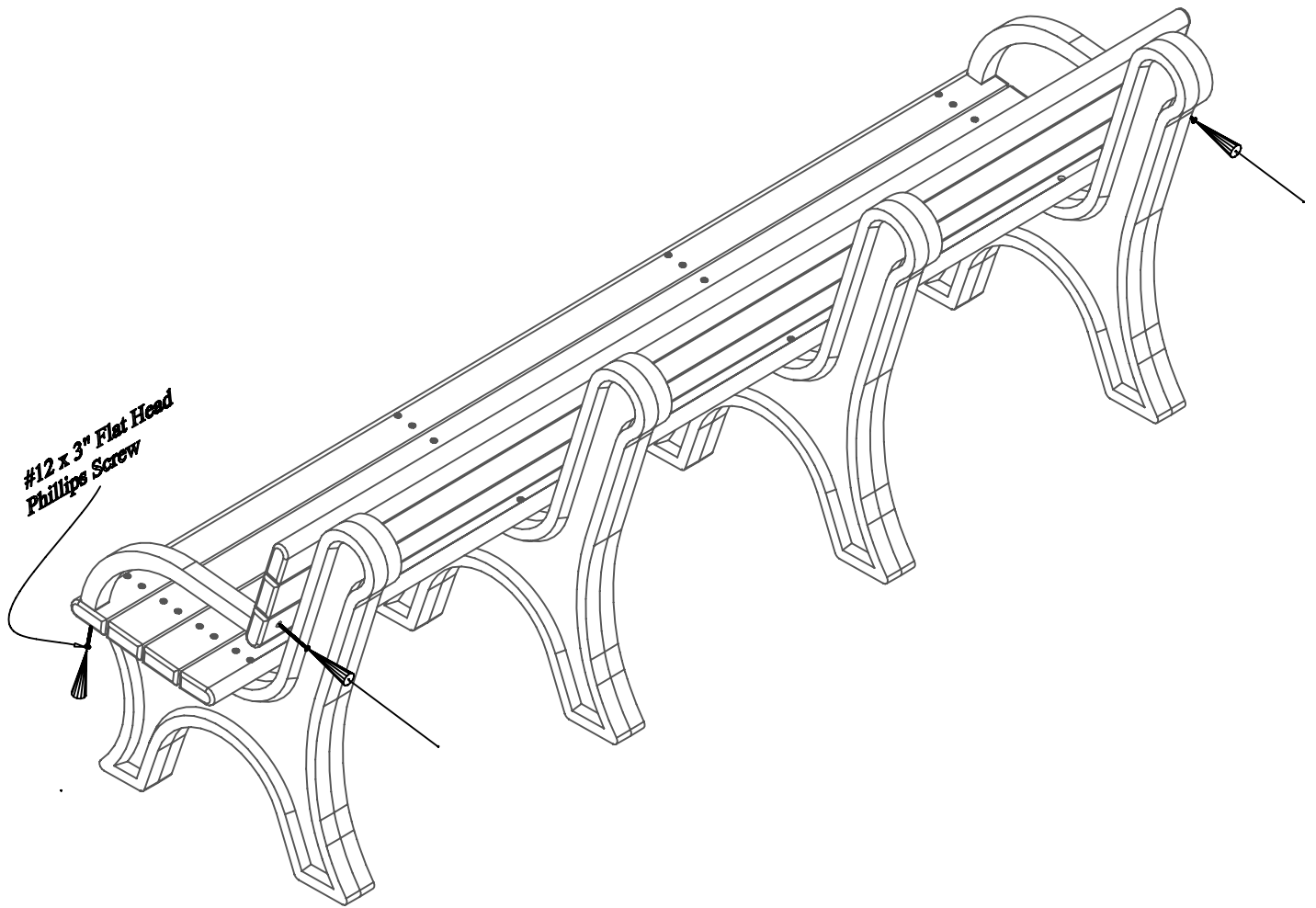
Repeat Steps 1 - 3 to attach (1) one bull nose bench board w/ arm holes on position 3 & (1) one bull nose bench board on position 4 as shown above. Use (1) One #12 x 3" Flat Head Phillips Screw per hole to fasten.



**Step #6:**

Repeat Steps 1 - 3 to attach bench boards on positions 2, 5 & 6. Use (1) One #12 x 3" Flat Head Phillips Screw per hole to fasten.





**Step #7:**

Align the pilot holes on the Arm to the pre-drilled holes on the bullnose bench boards w/ arm holes (B). After the holes are properly aligned, fasten with (1) One #12 x 3" Phillips head screw per hole to fasten.