

# TD04-1000 PJ Paper Towel Dispenser Installation Instructions

## General Overview

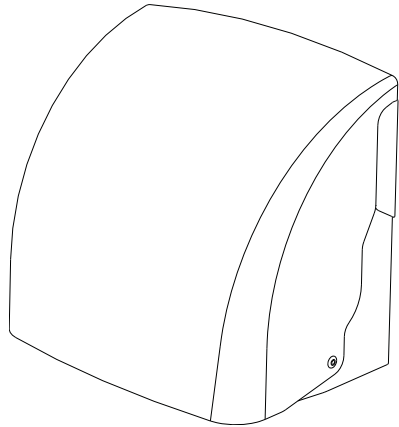
*The TD04-1000 - PolyJohn Paper Towel Dispenser is an optional paper towel holder for either roll, or fold towels (single or multi-fold). Designed to fit most anywhere paper towels are needed. Shipped pre-assembled. Also included is the Small Parts Bag - TD04 - 0201 which contains all of the necessary fasteners for mounting the dispenser.*

## Specifications

Height	10 in	25.4 cm
Width	11 in	27.94 cm
Depth	7.5 in	19.05 cm
Weight	1.9 lb	0.86 kg

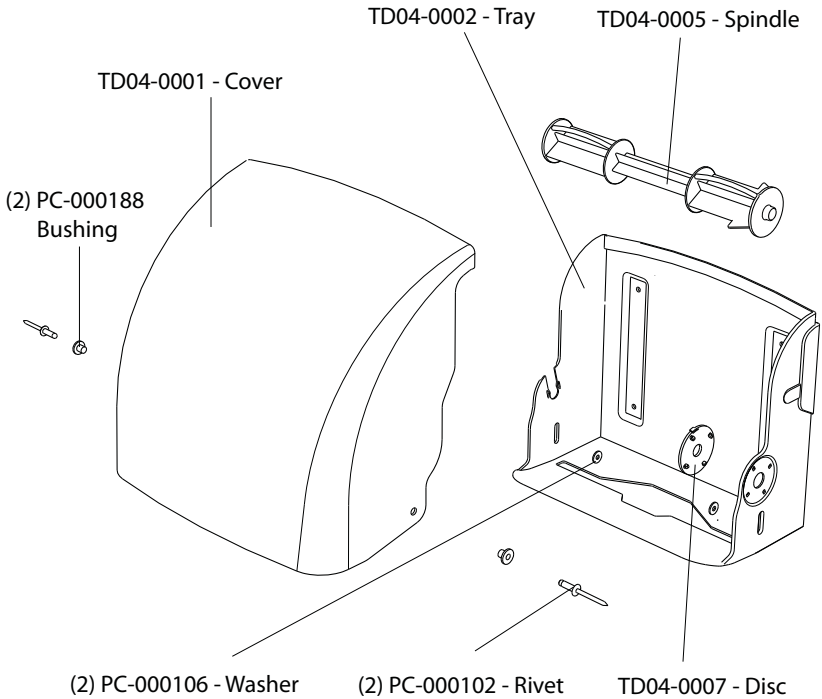
### ~~Tools Required for Installation~~

- Drill
- 13/64" Bit
- Rivet Gun



# TD04-1000 PJ Paper Towel Dispenser

## Exploded View



## Installation

**Step 1:** Open the Towel Dispenser (see page 3 for instructions on "Opening the Paper Towel Dispenser").

**Step 2:** Place the dispenser in the location in which it will be mounted (making sure to level). Using a 13/64" bit, drill holes through the drill spots that are in the back of the dispenser and through to the location in which you are mounting the dispenser (making sure to drill only into the mounting wall).

**Step 3:** For installation where an outside wall is accessible, rivet the PJ Paper Towel Dispenser in place from the outside with (4) PC-000102 Rivets and (4) PC-000106 Washers on the inside. If installing in a location where the opposite side of the wall is not accessible (such as an Applause sink, etc.), rivet in place using (4) PC-000105 Rivets with (4) PC-000106 Washers behind the heads of the rivets.

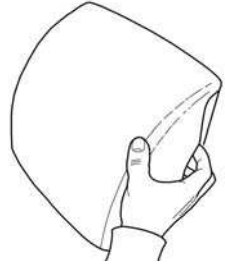
## **General Information**

These dispensers are designed to accept towels that are no wider than 9-1/2" wide, whether using single, multi-fold, or a roll towel. The recommended towels are the *Georgia Pacific #23504 - single fold towel* or the *Baywest Ecosoft #46200 - roll towel*. **NOTE: The use of a roll towel complies with ADA requirements.**



### **Opening the Paper Towel Dispenser**

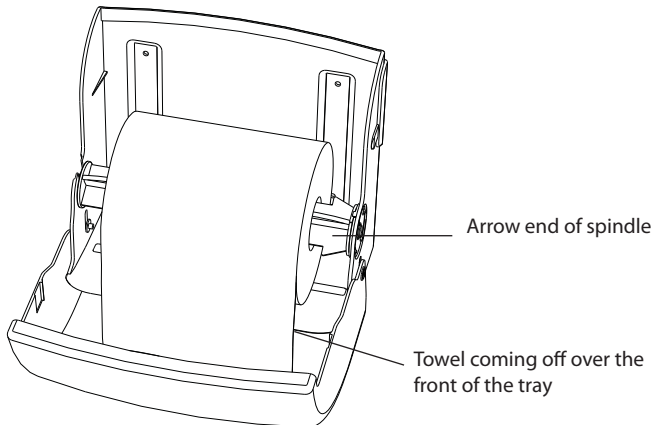
Position your hands on both sides of the dispenser cover (as shown). While pulling out on both sides lift up the cover and pull down towards yourself.



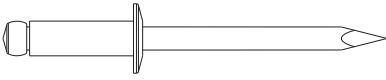
## **Filling the Dispenser**

***Filling with Fold Towels:*** Place the package of towels on the towel tray with the fold of the towel facing downward. Pull the first towel through the middle opening of the paper towel tray. Close the cover.

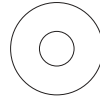
***Filling with a Roll of Towels:*** Place the roll of towels on the spindle with the roll of towels coming off towards you with the arrow end of the spindle facing towards the right. Place the spindle into the right side of the dispenser first. Place the left side of the spindle into the groove on the left side of the dispenser and push down in place. Feed the roll of towels over the front of the paper towel tray. Close the cover.



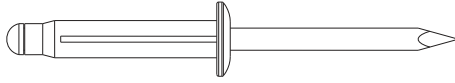
## **Full Size Scale Fasteners**



(4) PC-000102 Rivet



(4) PC-000106 Washer



(4) PC-000105 Rivet

## **Cleaning and Maintenance**

Use a mild soap to clean all surfaces and component parts.