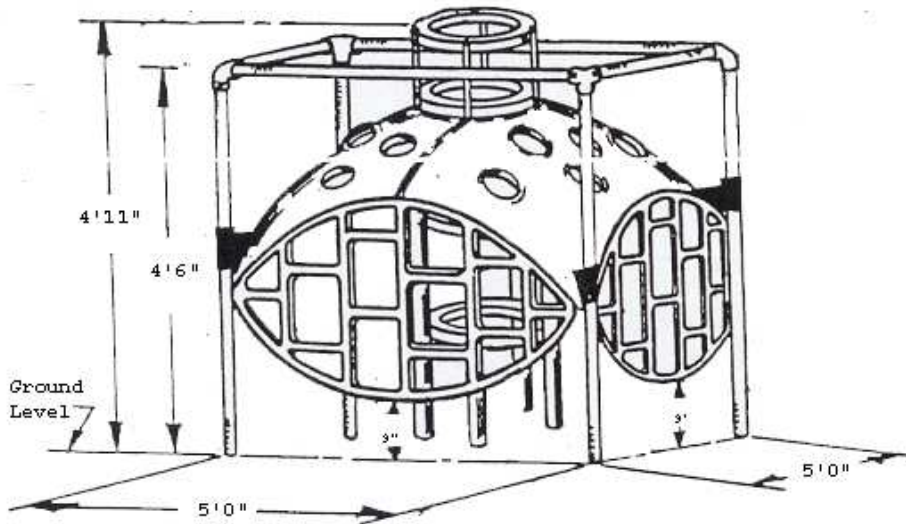


**\*IMPORTANT\***

**PLEASE RETAIN THIS INSTRUCTION SHEET IN YOUR FILES. IT CONTAINS IMPORTANT REPLACEMENT PARTS INFORMATION. ALL EQUIPMENT SHOULD BE INSTALLED IN ACCORDANCE WITH THESE INSTRUCTIONS.**

**IT IS IMPORTANT TO USE AND MAINTAIN ALL PUBLIC PLAYGROUND EQUIPMENT PROPERLY. PLAYGROUND EQUIPMENT, WHICH IS IMPROPERLY MAINTAINED, CAN CAUSE SERIOUS INJURY. PERIODICAL INSPECTIONS, MAINTENANCE, REPAIR AND/OR REPLACEMENT OF DAMAGED PARTS IS NECESSARY FOR SAFE OPERATION OF EQUIPMENT AND SAFETY OF USERS. RESILIENT SURFACING SHOULD BE USED UNDER ALL PLAYGROUND EQUIPMENT. APPROPRIATE PUBLICATIONS, AVAILABLE AT NO CHARGE, FROM THE CONSUMER PRODUCT SAFETY COMMISSION, INCLUDE A "HANDBOOK FOR PUBLIC PLAYGROUND SAFETY." YOU CAN RECEIVE YOUR FREE COPY BY CALLING 301-504-7908.**

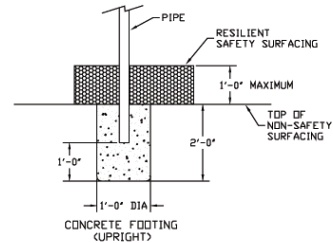
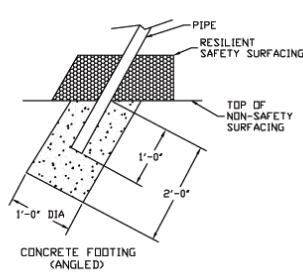


<b>PACKING LIST</b>		<b>HARDWARE BAG</b>	
1 CTN:	(1) Hardware Bag	4	115-503 Elbow
1 CTN:	(2) 103-006 Rings	4	113-220 Sleeved Gusset
	(2) 103-008 Rings	4	355-900 1 5/8" Plastic Pipe Plug
1 CTN	(1) 113-306 2-Ring Ladder	4	116-530 5/16" x 1" Button Hd. Bolt
1 CTN	(2) 103-029A Grille	16	116-540 5/16" x 2" Button Hd. Bolt
1CTN	(2) 103-029A Grille	12	116-545 5/16" x 2 1/2" Button Hd. Bolt
1 BDL	(4) 113-226 Guard Rail	4	116-556 5/16" x 4" Button Hd. Bolt
2 BDL	(2) 113-662 Leg	4	196-802 1/2" x 1/2" Socket Set Screw
1 BDL	(4) 103-654 Upright	40	326-601 3/8" Flat Washer
1 SKID	(1) 113-044 Shell	36	326-501 5/16" Lock Washer
		36	216-512 5/16" Button Hd. Nut
		2	416-400 1/4" Socket Key
		2	416-350 3/16" Socket Key
		1	805-532 Warning Label
		1	805-534 SportsPlay Label
		1	Maintenance Checklist

5 Carton	4 Bundles	1 Skid	10 Total	390# Weight	Class 70
----------	-----------	--------	----------	-------------	----------

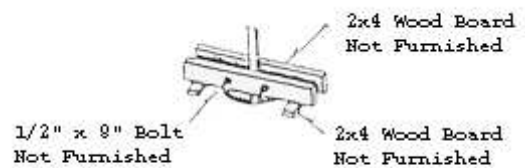
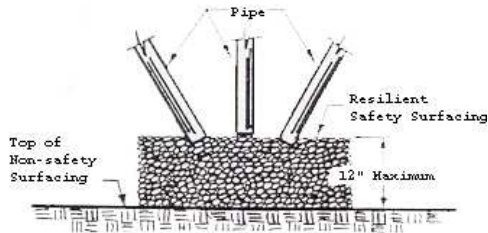
**GENERAL USE/FALL ZONE & FOOTING RECOMMENDATIONS**

STATIONARY & PORTABLE EQUIPMENT = USE/FALL ZONES SHOULD EXTEND A MINIMUM OF 6 FEET IN ALL DIRECTIONS FROM THE PERIMETER OF THE EQUIPMENT GROUND SPACE. THIS AREA SHOULD BE COVERED WITH THE REQUIRED AMOUNT OF RESILIENT SAFETY SURFACING MATERIAL. FOR SOME EQUIPMENT – USE/FALL ZONES CAN OVERLAP. SEE CONSUMER PRODUCT SAFETY COMMISSION GUIDELINES. DIAMETER & DEPTH OF FOOTINGS ILLUSTRATED ARE SATISFACTORY IN MOST APPLICATIONS FOR PIPE SIZES UP TO 2 3/8" DIAMETER. VARYING SOIL & CLIMATIC CONDITIONS MAY REQUIRE DEEPER & HEAVIER FOOTING IN SOME AREAS. CHECK LOCAL BUILDING CODES.



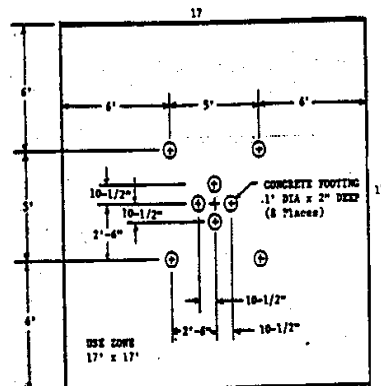
- \* If resilient surfacing is to be less than 12", then additional pipe should be put in concrete to maintain proper finish grade for equipment.

Portable Installation Detail:



Suggested Bracing Method

**USE AREA & FOOTING LAYOUT:**



**GENERAL ASSEMBLY INSTRUCTIONS:**

Check all of the parts and hardware with the packing list to be sure you have received everything needed to assemble this product. **CONTACT YOUR LOCAL DISTRIBUTOR OR SPORTSPRAY WITH NOTIFICATION OF ANY MISSING OR DAMAGED PARTS.** Contact must be made within ten days of receipt of your order.

Only hand-tighten nuts & bolts on initial assembly. Final tightening should be done **EVENLY** after final assembly when unit has been plumbed & leveled. After assembly is complete. **ANY ENDS OF BOLTS PROTRUDING BEYOND NUTS SHOULD BE CUT OFF AND/OR PEENED OVER TO REMOVE ANY SHARP PROJECTIONS.** Go over entire unit to file smooth any sharp edges or projections that may have been caused by rough handling in shipping or installation.

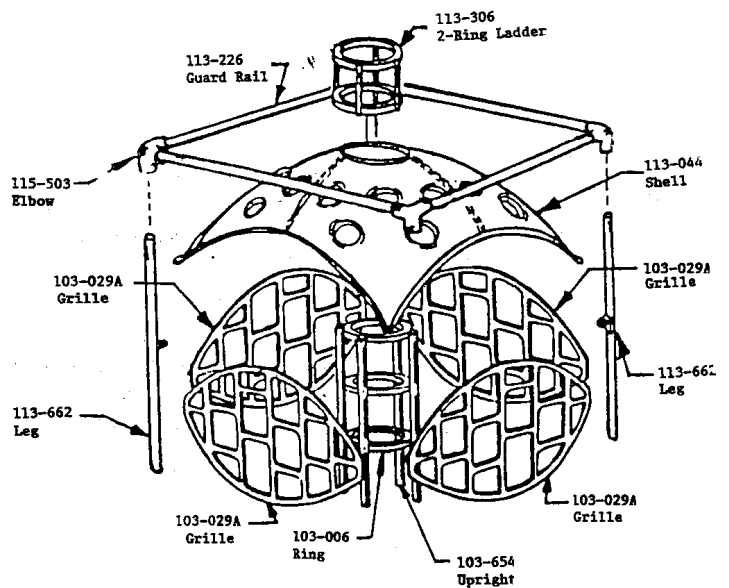
On products with platforms install 1-2 degrees off level to facilitate water drainage.

**GENERAL MAINTENANCE INSTRUCTIONS:**

Check **MONTHLY** for loose bolts, damaged or broken parts. Tighten and/or replace immediately.

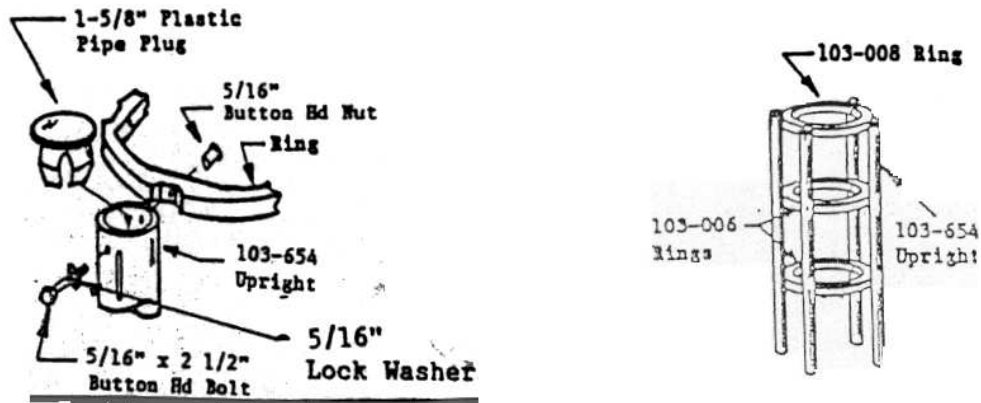
**SPECIFIC ASSEMBLY INSTRUCTIONS:**

Note: All threaded ends of bolts protruding beyond nuts must be cut off and/or peened over to eliminate sharp edges. No more than two threads should extend beyond face of nut.  
All Washers, "T" nuts, and other fastener hardware used on round pipe or tubing must be hammered down to conform to the curved underlying surface to eliminate catch points.

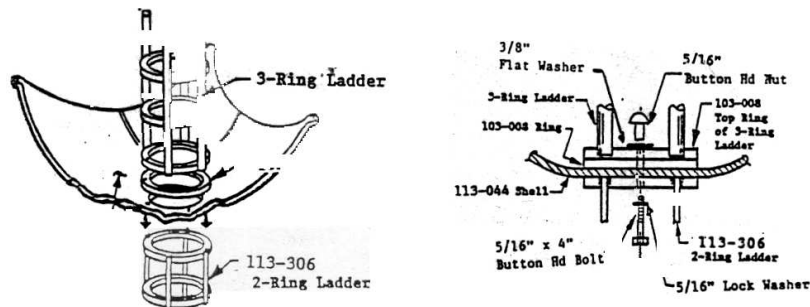


STEP #1: Dig footing holes as per layout on page 2.

STEP #2: Assemble 3-Ring Ladder. Cast Aluminum Rings have mold ejection marks on the BOTTOM side. The Ring (103-008) with drilled holes for attachment to Shell is the top Ring. Drive Plastic Pipe Plugs (385-900) into top of Uprights. Attach braces to Legs to hold proper height. Length of pipe legs below intended level of resilient surfacing should be 24". Two long braces holding 2 Legs each are recommended. Place in footing holes.

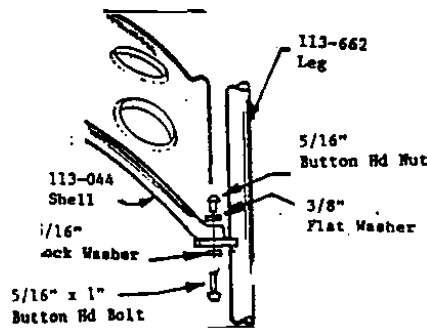


STEP #3: Attach 3-Ring & 2 Ring (113-306) Ladders to Shell.

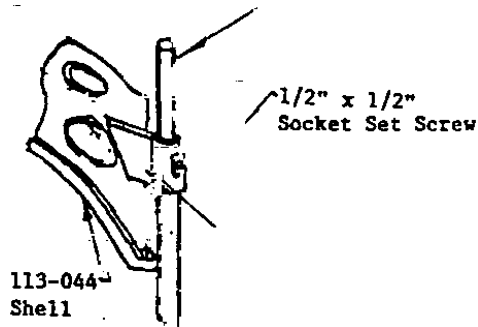


STEP #4: Attach bracing to 3-Ring Ladder Legs (103-654) to hold proper height when assembly is turned over & placed in footing holes. SEE DETAIL ON PAGE #2. Length of pipe below intended level of resilient surfacing should be 24". Two long braces holding 2 legs each are recommended. Carefully turn over & place in footing holes.

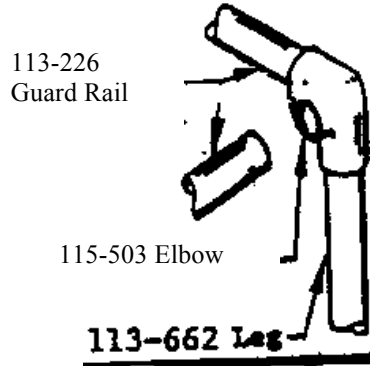
STEP #5: Attach Legs (113-662) to Shell (113-044) & brace in footing holes.



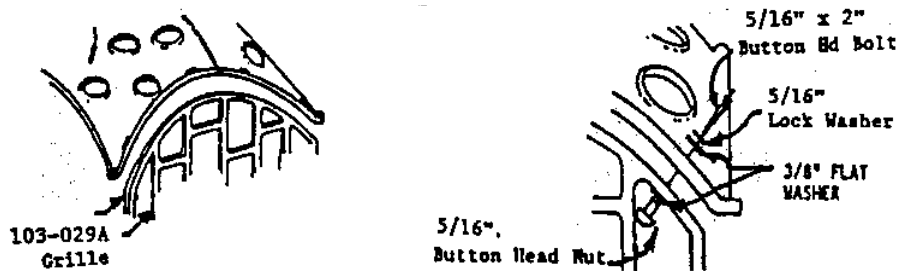
STEP #6: Attach Sleeved Gusset (113-220) to Leg (113-662).



STEP #7: Attach Guard Rail (113-226) & Leg (113-662) to Elbow (115-503).



STEP #8: Attach Grille (103-029A) to Shell (113-044).



STEP #9: Plumb & level entire unit. Tighten all bolts until lock washers are flat. Pour concrete. Wait 48 hours before removing braces, applying resilient surfacing & using equipment.

STEP #10: Attach Warning Label and Manufacturer' Identification Label to a clean surface. The Labels should be attached in a location where they are clearly visible and legible and away from normal hand and foot placement areas. The Labels must be replaced if they become illegible, destroyed or removed. Contact SportsPlay for replacement Labels.