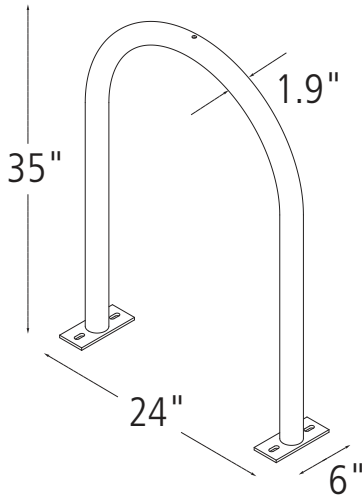




HOOP RACK

Specifications and Space Use



Capacity 2 Bikes

Materials 1.5" schedule 40 pipe (1.9" OD)



Finishes

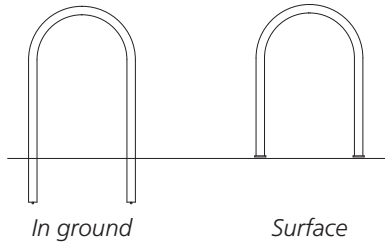


An after fabrication hot dipped galvanized finish is our standard option. 250 TGIC powder coat colors, thermoplastic coating, PVC dip, and stainless steel finishes are also available as alternate options.

Our powder coat finish assures a high level of adhesion and durability by following these steps:

1. Sandblast
2. Epoxy primer electrostatically applied
3. Final thick TGIC polyester powder coat

Stainless Steel: 304 grade stainless steel material finished in either a high polished shine or a satin finish.



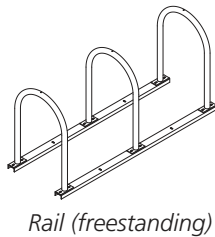
Installation Methods



In ground mount is embedded into concrete base. Specify in ground mount for this option.

Foot Mount has two 2.5"x6"x.25" feet with two anchors per foot. Specify foot mount for this option.

Rail Mounted Hoops are bolted to two parallel rails which can be left freestanding or anchored to the ground. Rails are heavy duty 3"x1.4"x3/16" thick galvanized mounting rails. Specify rail mount for this option.



Space Use and Setbacks



Wall Setbacks:

For racks set parallel to a wall:

Minimum: 24"

Recommended: 36"

For racks set perpendicular to a wall:

Minimum: 28"

Recommended: 42"

Distance Between Racks:

Minimum: 24"

Recommended: 36"

Street Setbacks:

Minimum: 24"

Recommended: 36"

