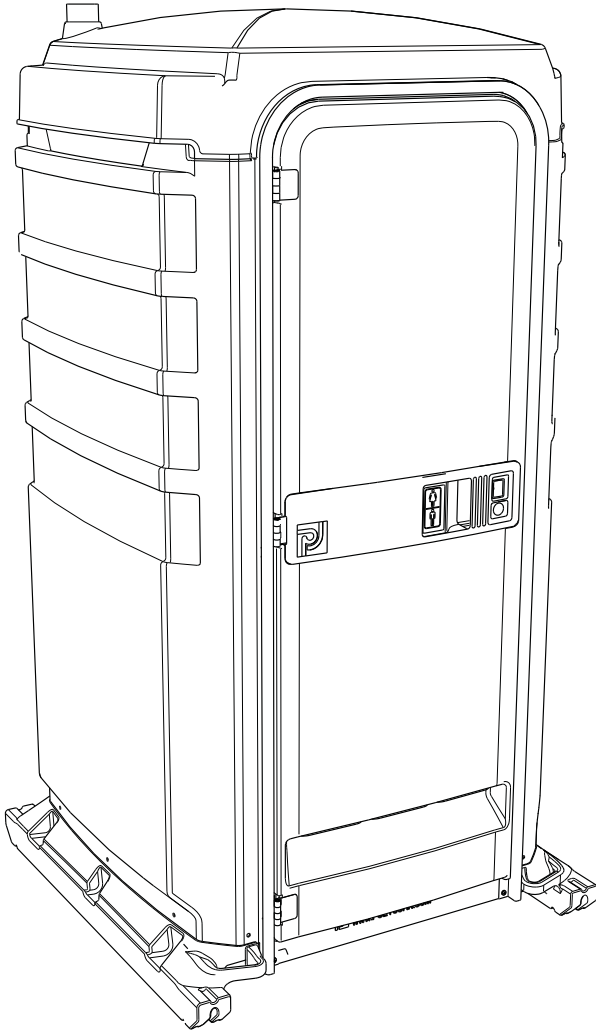


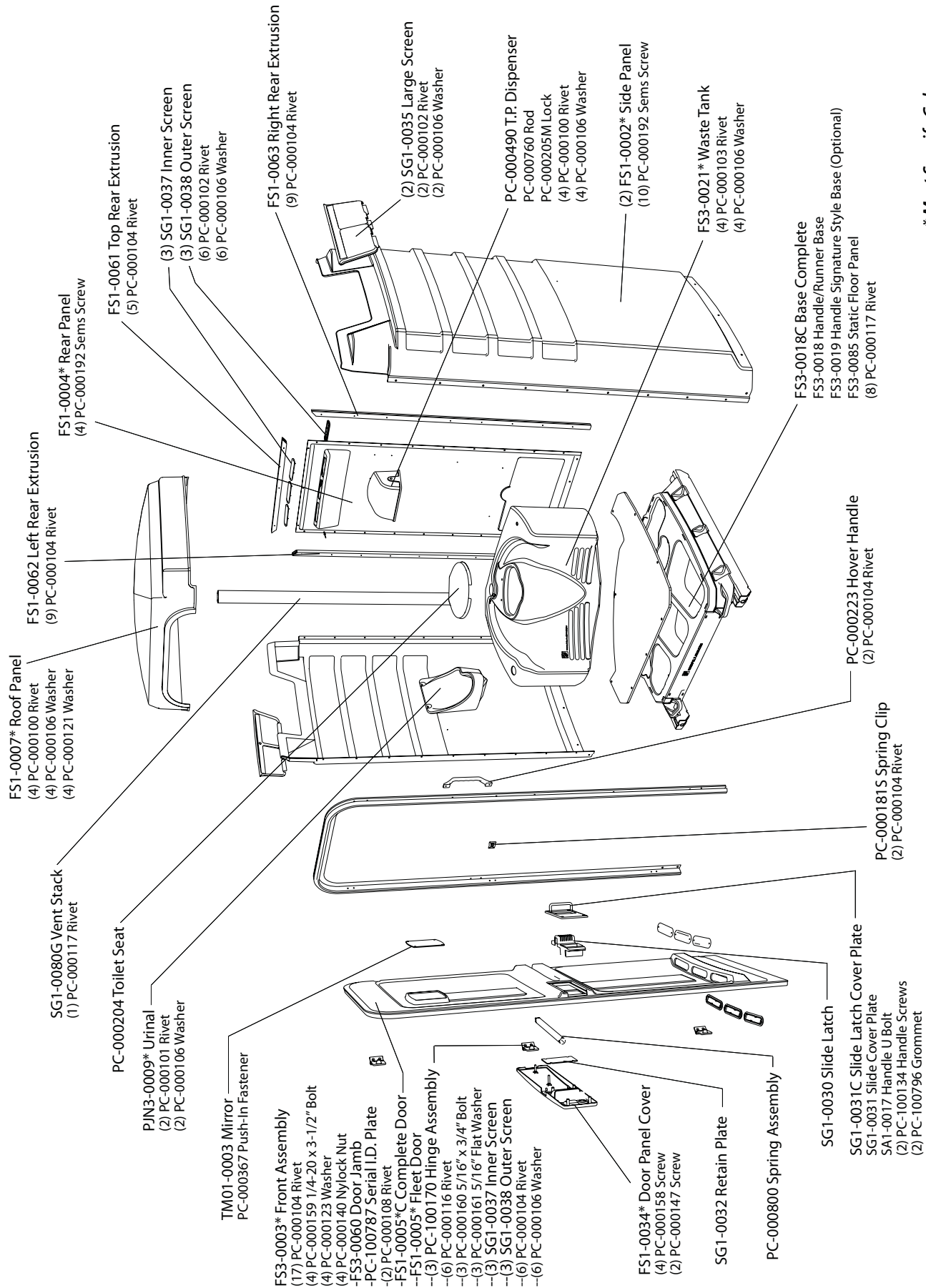
FS3 Fleet™ Series Non-Flushing Model Assembly Manual

U.S. PATENTS: 5,500,960 - 5,500,962 - 5,560,050 - 6,199,222 D 360,471



SPECIFICATIONS

DIMENSION	IMPERIAL	METRIC
Exterior Height	91 in	231 cm
Interior Height	83 in	211 cm
Exterior Width	47 in	119 cm
Interior Width	45.7 in	116 cm
Exterior Length (Runner Base)	48 in	122 cm
Exterior Length (Optional Signature Style Handle Base)	47 in	119 cm
Interior Length	43 in	109 cm
Weight	195 lb.	88 kg
Door Frame Height (ID)	75 in	191 cm
Door Frame Width (ID)	26 in	66 cm
Side Panel Decal Area	6 in X 37 in	15 cm X 94 cm
Door Decal Area	22.5 in X 29 in	57 cm X 74 cm
Seat Height	19.5 in	49.5 cm



*** Must Specify Color**

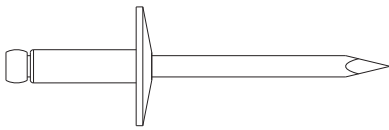
GENERAL OVERVIEW

- These instructions are for restrooms shipped unassembled. Please retain these instructions for maintenance and repair purposes.
- The **FS3-1 Model** restroom assembly will require two people.
- All references to left, right, front and rear are as viewed from the front of the restroom.
- Review the entire instruction manual prior to assembly.
- Please follow the instructions in the order they are presented.
- When using air operated screw drivers or impact wrenches, be sure that the torque setting does not exceed 28 inch pounds. Also, when using a battery-operated drill, set it to the lowest torque setting.
- We strongly suggest that these restrooms, as with all portable structures, be transported and handled with care. Dropping the restroom when loading and unloading could cause damage to the door jamb and other components.

~~TOOLS REQUIRED FOR ASSEMBLY~~

- | | | | |
|-------------|--------------------------------|-------------------------------------|--------------|
| • Rivet Gun | • Standard Slotted Screwdriver | • Phillips Crosshead Screwdriver | • Vise-Grips |
| | • (2) Tapered Awls | • Drill with 13/64" Drill Bit | • Pliers |
| | | • Socket Wrench with a 7/16" socket | |

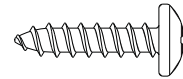
FULL SCALE FASTENER DRAWINGS



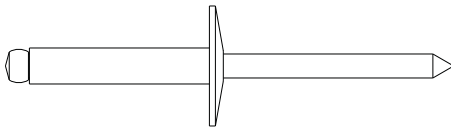
(8) PC-000100 - Rivet



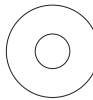
(4) PC-000140 Lock Nut



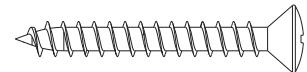
(2) PC-000147
3/4" Long SM Screw



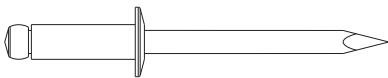
(2) PC-000101 - Rivet



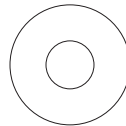
(16) PC-000106 - Washer



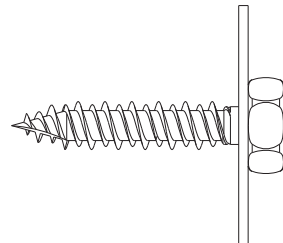
(4) PC-000158
1-1/2" Long SM Screw



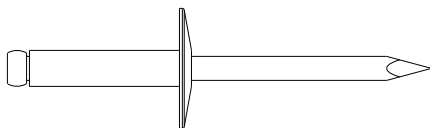
(2) PC-000102 - Rivet



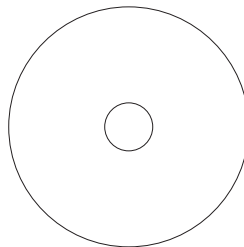
(4) PC-000123 - Washer



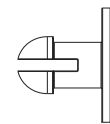
(14) PC-000192 Sems



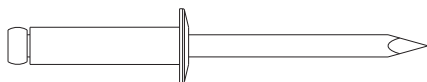
(4) PC-000103 - Rivet



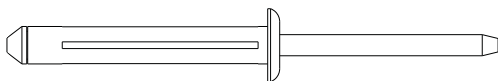
(4) PC-000121 - Washer



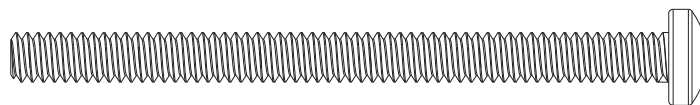
(4) PC-000367 - Nylon
Push-In Fastener



(42) PC-000104 - Rivet

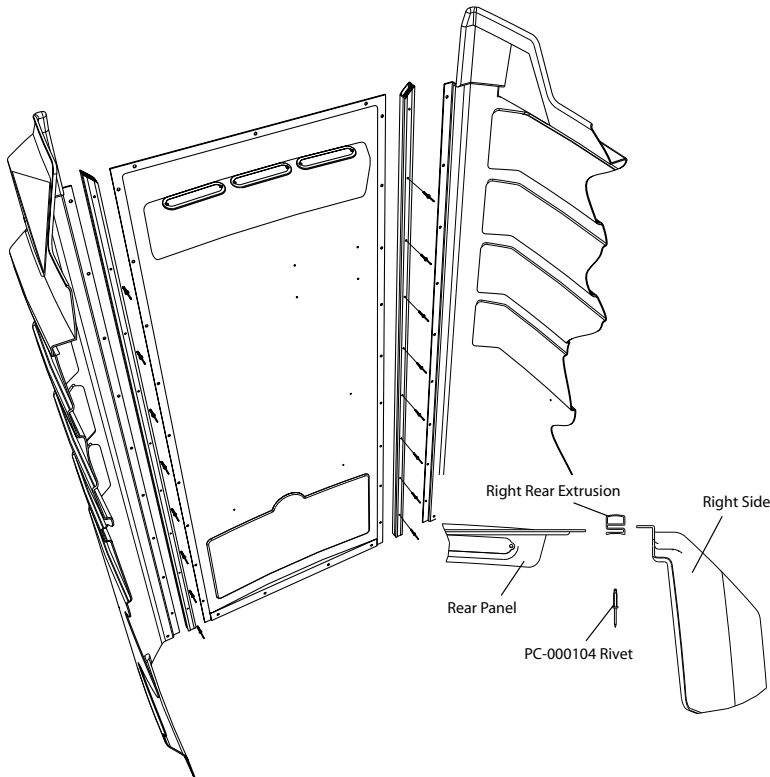


(1) PC-000117 - Rivet

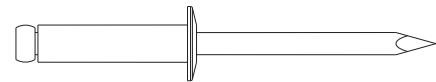


(4) PC-000159 - Screw

Step 1: Sidewall Panels to Rear Extrusions and Rear Wall Panel



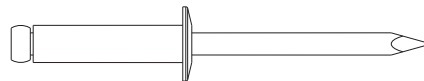
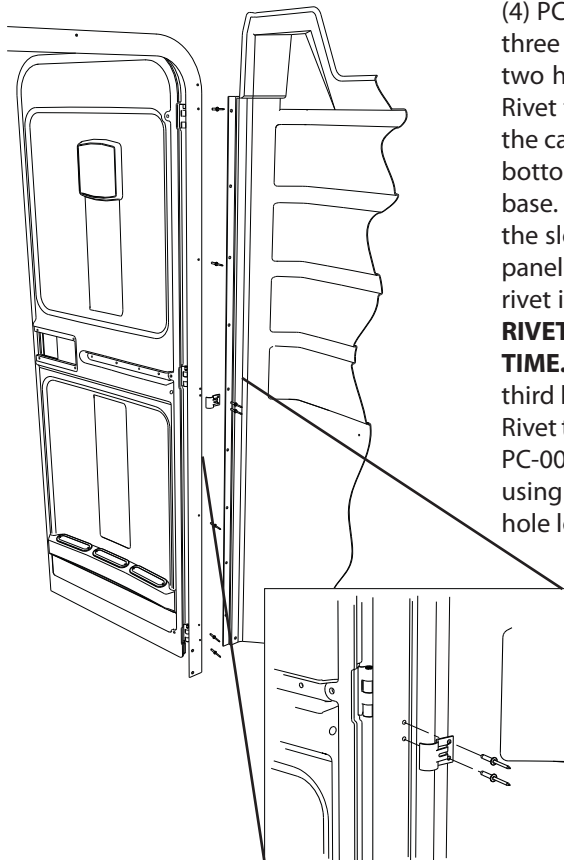
Slide a plastic rear extrusion onto each side of the rear panel making sure that the mitered ends are towards the top of the rear panel (*where the fly screens are, and the ribbed side of the extrusions are facing toward the outside of the restroom*). Line up the holes in the rear extrusions with the holes in the rear wall panels. Insert awls into the center holes. Slide the right side wall panel (*with hatch in corner*) into the corresponding slot of the rear extrusion and remove the awl from that rear extrusion. Line up all of the holes and rivet from the inside, the rear extrusions, rear wall panel and side wall panel together using small flange, rivets, PC-000104. **DO NOT RIVET THE TOP HOLE IN EITHER OF THE EXTRUSIONS AT THIS TIME.** Remove the awl in the left extrusion and rivet together the left side wall panel, left rear extrusion, and rear panel, leaving the top hole for later.



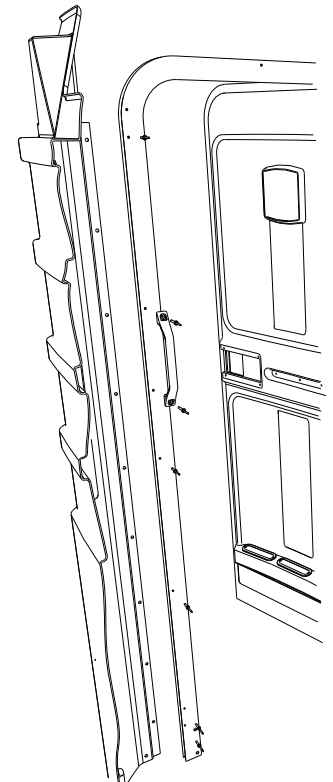
PC-000104 Rivet
(16) Used in this step

Step 2: Sidewall Panels to Door Jamb

Insert the edge of the left side panel into the slot on the left side of the door jamb. Line up the holes in the jamb with the corresponding holes in the side panel. Rivet the second and third holes from the bottom as well as the top two holes using (4) PC-000104 rivets (*as shown on the left*). Using holes in the jamb as a guide, drill three 13/64" holes into the side panel. Rivet the PC-0001815 cable clip at the center two holes of the jamb using (2) PC-000104 rivets. Rivet the bottom hole using the same rivet. Wrap the cabana around the base of the unit resting the bottom edge of the sides on the ledge around the base. Slide the edge of the right side wall panel into the slot in the jamb. Line up the holes in the side panel with the corresponding holes in the jamb and rivet in place using (4) PC-000104 rivets. **DO NOT RIVET THE SECOND HOLE FROM THE TOP AT THIS TIME.** Using a drill with a 13/64" drill bit, drill out the third hole from the top as well as the bottom hole. Rivet the bottom hole using a PC-000104 rivet. The PC-000223 grab handle gets attached to the jamb using (2) PC-000104 rivets at the second and third hole locations.

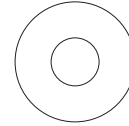
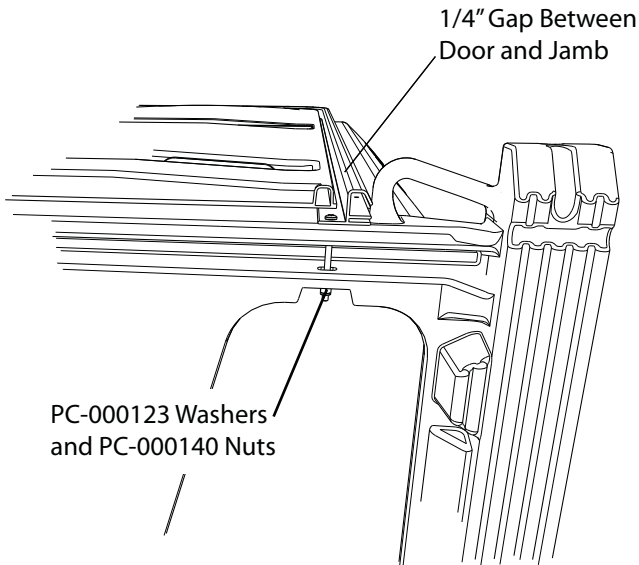
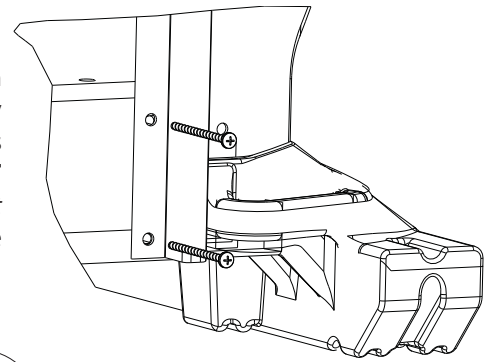


PC-000104 Rivet
(14) Used in this step



Step 3: Cabana to Base

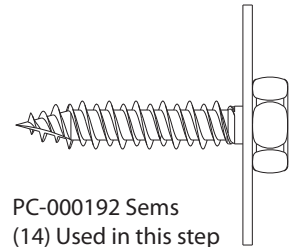
Insert (4) PC-000159 bolts through the holes at the bottom of the jamb and into the slots in the base. On the back-side of the unit, center the rear panel on the base. Fasten the rear panel to the base using (4) PC-000192 sems. Gently lay the unit on it's back. Place (4) PC-000123 washers and (4) PC-000140 nuts on the PC-000159 bolts at the front of the base, but **DO NOT TIGHTEN AT THIS TIME**. Close the door and tighten the bottom bolts (*making sure that there is a 1/4" gap between the latch side of the door and the jamb*). Open the door and tighten the top bolts.



PC-000123 - Washer
(4) Used in this step



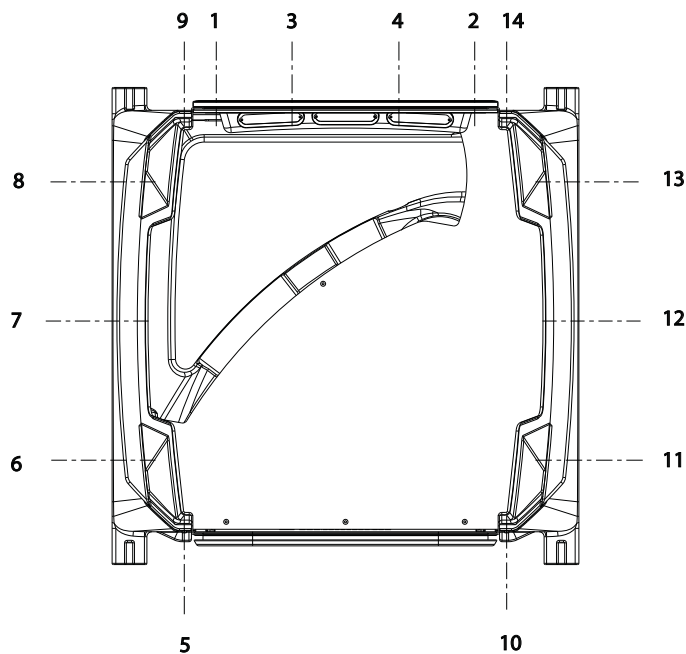
PC-000140 Lock Nut
(4) Used in this step



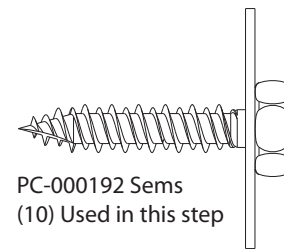
PC-000192 Sems
(14) Used in this step



PC-000159 - Screw
(4) Used in this step



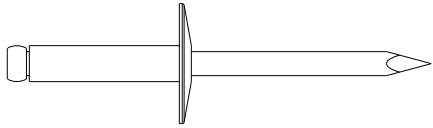
Carefully stand the unit upright. Starting with the left of the unit, drive a PC-000192 sems screw through the pre-drilled hole in the front of the side panel. **BE SURE NOT TO OVERTIGHTEN AND STRIP OUT THE PLASTIC.** Continue around the left side of the unit, until you reach the rear extrusion. Repeat this process with the right side of the unit, starting with the front.



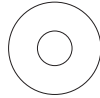
PC-000192 Sems
(10) Used in this step

Step 4: Tank Installation

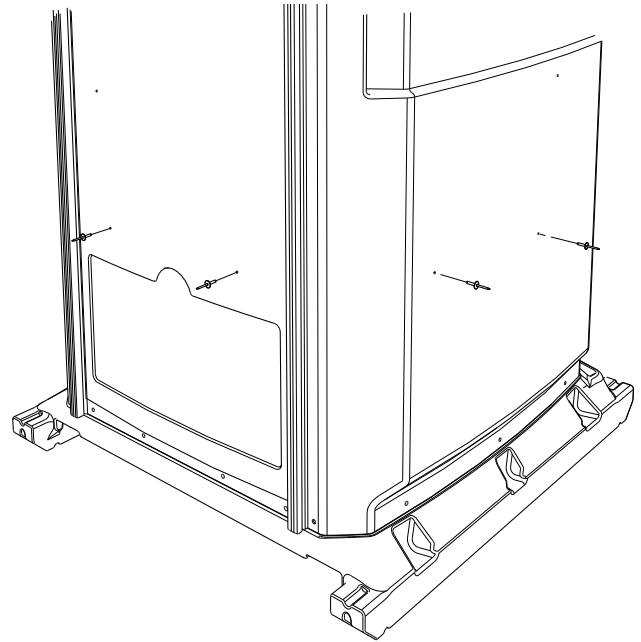
Place the waste tank in the opening in the floor on the inside of the unit. Pull the tank forward in the opening of the floor. Locate the dimples in the lower portion of the rear and left wall panels. Drill four 13/64" holes through the dimples and into the back of the tank. Rivet from outside the restroom using (4) PC-000103 rivets with (4) PC-000106 back-up washers on the inside of the tank.



PC-000103 Rivet
(4) Used in this step

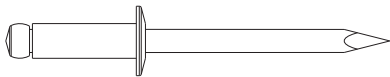


PC-000106 Washer
(4) Used in this step

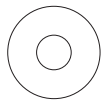


Step 5: Screen Installation

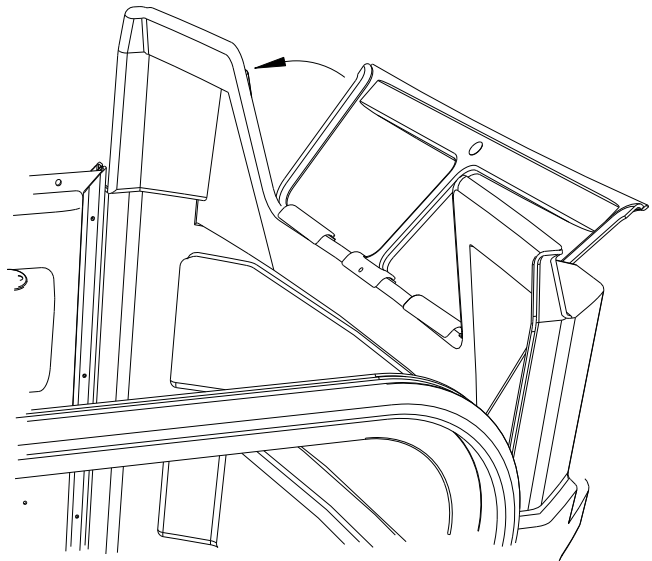
Take a SG1-0035 large fly screen and place the bottom curved flanges onto the top of the right side panel (*as shown on the right.*) Tilt the top of the fly screen up into place. Using the hole in the bottom, middle flange as a guide, drill a 13/64" hole through the side panel. Rivet in place using a PC-000102 rivet from the inside with a PC-000106 back-up washer on the outside. Repeat this step with the left side.



PC-000102 Rivet
(2) Used in this step

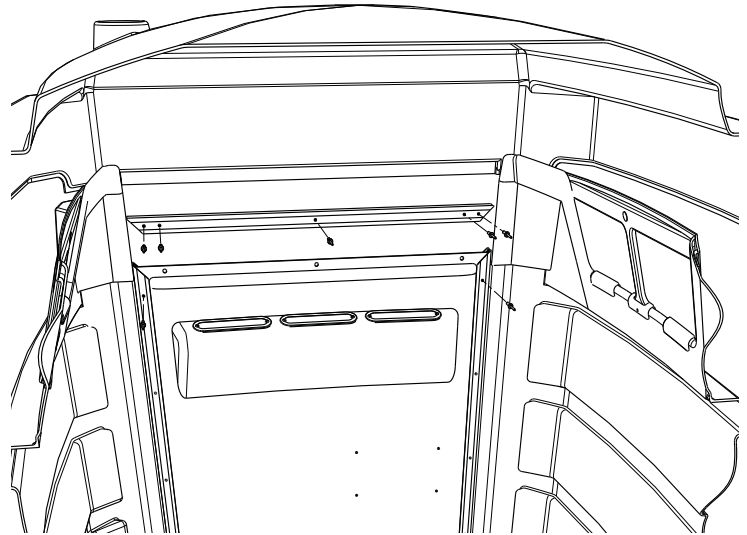


PC-000106 Washer
(2) Used in this step

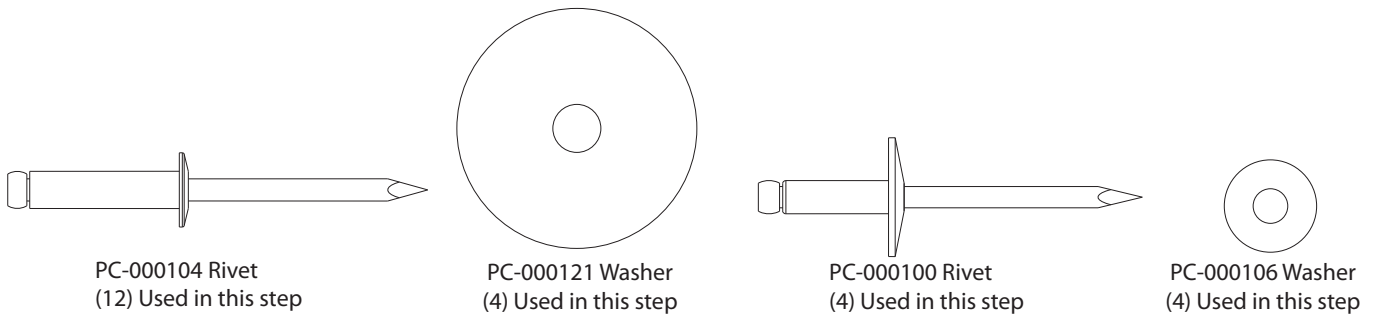


Step 6: Roof Installation

Place the FS1-0061 top extrusion on the top edge of the rear panel so that the miters line up with the left and right extrusions, and that the grooved surface is facing the outside. Place the roof on the top of the unit with the arch in the roof going into the groove in the top of the jamb. Put the rear edge of the roof in the groove in the top rear extrusion. With someone pushing down on the back of the roof, use the holes in the rear extrusion as a drill guide, drill five 13/64" holes into the roof. **MAKE SURE TO ONLY DRILL THROUGH THE ROOF AND NOT THROUGH THE BACK OF THE TOP REAR EXTRUSION.** Rivet the top holes in both the left and right rear extrusions as well as the five holes of the top rear extrusion using (7) PC-000104 rivets. Push down on the front of the roof while using the holes in the jamb as a drill guide, drill five 13/64" holes through the roof. Rivet in place using (5) PC-000104 rivets. Locate the holes in the top of each of the side panels.

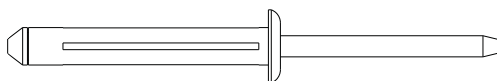


Push out on the top of the side panel, and using a 13/64" drill bit, drill a hole through the hole in the top of the side, and through the roof. Rivet in place using a PC-000100 rivet on the inside with a PC-000121 washer and a PC-000106 back-up washer on the topside of the roof. Repeat for remaining three holes.

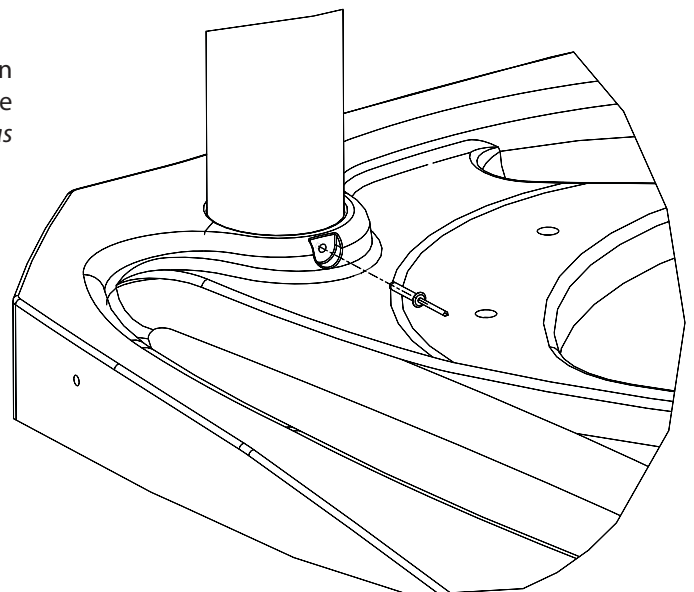


Step 7: Vent Stack Installation

Force the vent stack up through the hole in the roof then down into the corresponding hole in the tank. Drill a 13/64" hole through the boss in the tank and into the vent stack. Rivet (*as shown*) using a PC-000117 rivet.

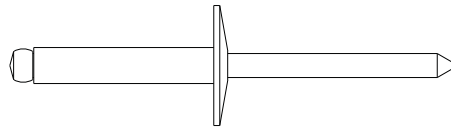


PC-000117 Rivet
(1) Used in this step

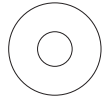


Step 8: Urinal Installation

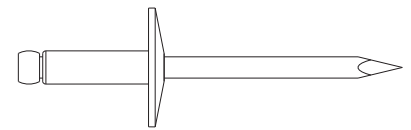
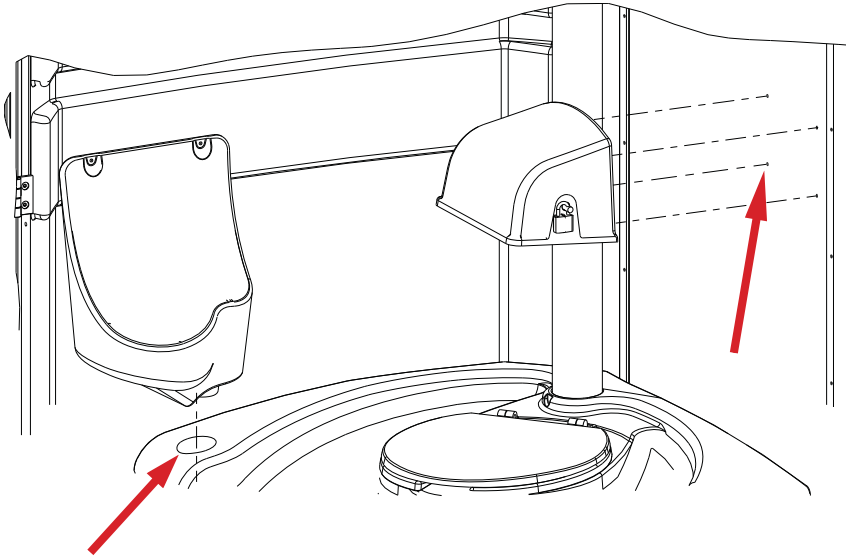
Insert the drain spigot into the hole in the tank (*as shown*). Make sure that the top of the urinal is level. Drill two 13/64" holes in the center of each of the recesses through the top of the urinal and through the side panel. Rivet in place using (2) PC-000101 rivets from the inside of the unit with PC-000106 back up washers on the outside.



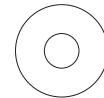
PC-000101 Rivet
(2) Used in this step



PC-000106 Washer
(2) Used in this step



PC-000100 Rivet
(4) Used in this step



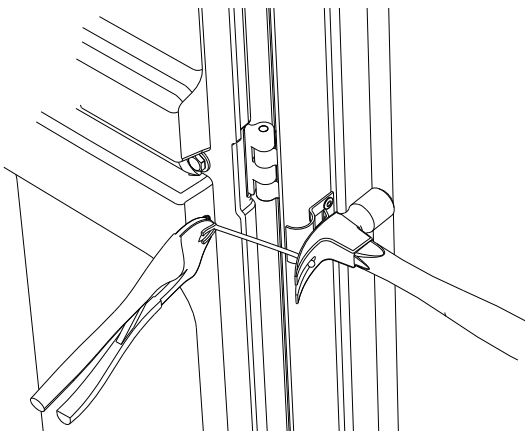
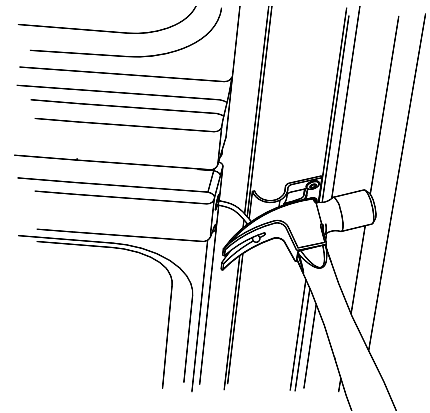
PC-000106 Washer
(4) Used in this step

Step 9: Toilet Paper Dispenser

There are four dimples in the rear panel for the Toilet Paper Dispenser location. From the outside, drill four 13/64" holes through the rear panel. Line up the holes in the rear panel with the holes in the back of the dispenser, and rivet in place from the outside using PC-000100 rivets with PC-000106 washers on the inside.

Step 10: Spring Installation

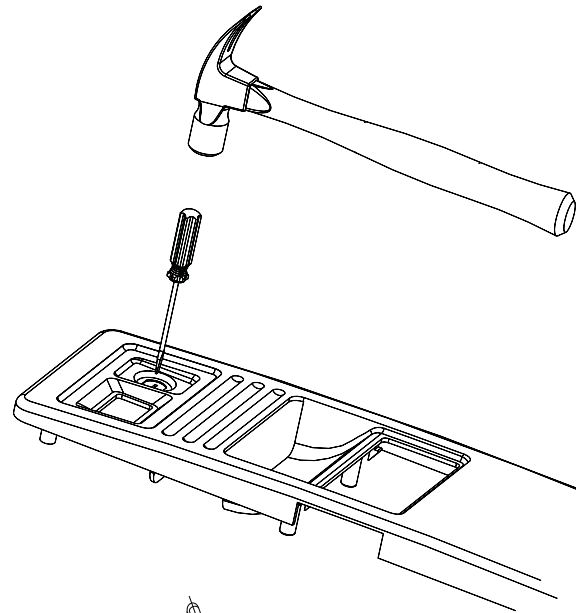
From the front of the door, insert the cable end of the spring assembly into the 1/2" hole in the door. Make sure that the 1/2" boss in the end cap of the spring assembly is pushed through the hole. On the inside of the unit, place the top of a hammer against the PC-000181S spring cable clip (*as shown on the right*). Place the end of the spring cable in the claw of the hammer.



Open the door while holding the hammer in position. Hold the door open with your foot, and clamp a vice-grips pliers on the cable where it comes out of the door. **BE SURE TO CLAMP DOWN TIGHT.** Remove the cable from the claw of the hammer, close the door, and place the end of the cable into the slot of the cable clip. Open the door, and remove the vice-grips.

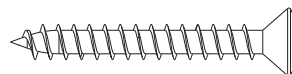
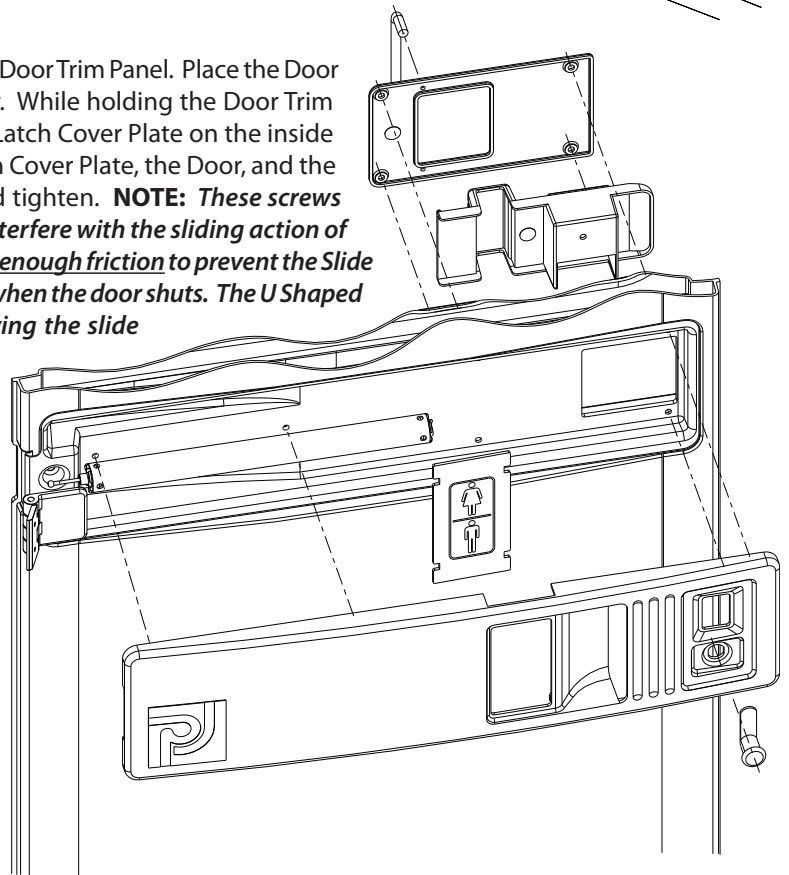
Step 11: Optional Lock Installation

Place the tip of a screwdriver in the lock area of the Door Trim Panel (as shown on the right). Strike the handle end of the screwdriver with a hammer to “knockout” the plastic filling the hole for the lock. Remove the nut from the end of the lock, and insert the lock through the hole of the Door Trim Panel from the outside. Re-insert the nut back on the lock and tighten down. Insert the key and turn the lock to the right and remove the key (this is the locked position which is needed at this point to check the lock for proper installation with the Slide Latch mechanism which is installed in the next step). **NOTE: Turning the key upright is the neutral or normal use position which allows the Slide Latch to move into the “Open/In-Use” position when persons are inside the restroom. Turning the key to the left is the open position and the key can not be removed until either in the “Open/In-Use” or “Locked” position.**

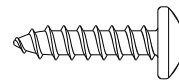


Step 12: Door Panel /Slide Latch Installation

Snap the Unisex Indicator Plate into the back of the Door Trim Panel. Place the Door Trim Panel into the recess in the front of the door. While holding the Door Trim Panel in position, place the Slide Latch and Slide Latch Cover Plate on the inside of the door and line up the holes of the Slide Latch Cover Plate, the Door, and the Door Trim Panel. Insert (4) PC-000158 screws and tighten. **NOTE: These screws should be tightened to the point where they will interfere with the sliding action of the Slide Latch and then backed off slightly, leaving enough friction to prevent the Slide Latch from sliding into the “In-Use/Open” position when the door shuts. The U Shaped handle prevents persons from inadvertently moving the slide latch to the “In-Use” position when exiting the restroom.** Insert the flip “Male-Female” Indicator Plate into the slot on the top edge of the Door Trim Panel (above where the Unisex Indicator Plate is located). Insert (2) PC-000147 screws into the holes toward the hinged side of the door, line up with the holes in the Door Trim Panel, and tighten. If the optional lock is installed, unlock the lock by inserting the key into the lock and turning to the left and back to the upright position which is the neutral or normal use position and remove the key (this allows the Slide Latch to move into the “Open/In-Use” position when persons are inside the restroom). Turn the key to the right and remove the key for the locked position. Turning the key to the left indicates the open position and the key can not be removed until either in the “Open/In-Use” or “Locked” position. **IMPORTANT: The punched 1/4” hole in the center of the Slide Latch where the “In-Use/Open” stamp is imprinted complies with code enabling the door to be unlocked from outside the restroom in the event of distress and a person inside were unable to unlock the door. A POINTED OBJECT INSERTED INTO THE HOLE AND MOVING THE SLIDE LATCH TO THE LEFT WILL ALLOW THE DOOR TO BE OPENED PROVIDING THE DOOR HAS NOT BEEN LOCKED WITH THE KEY.**



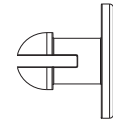
PC-000158 Screw
(4) Used in this step



PC-000147 Screw
(2) Used in this step

Step 13: Mirror Installation

Peel the protective cover from the front of the mirror. Place the mirror in the recess in the door, and fasten in place using the plastic push in fasteners provided.



PC-000367 - Push-In Fastener
(4) Used in this step

Step 14: Toilet Seat Installation

Place the toilet seat on the top of the tank. Line up the holes in the hinge of the seat with the holes in the top of the tank. Insert the seat bolts through the hinges of the seat and through the seat base. Lift open the seat base, thread the plastic seat nuts on the ends of the bolts and tighten.

General Use and Maintenance

Locking/Unlocking the Unit (Optional)

If this unit is equipped with an optional exterior lock, it can be locked to prevent unwanted usage in the evening or weekend hours when no one is onsite. This is done by turning the lock to the right and removing the key. When it comes time to unlock the unit, insert the key and turn all the way to the left, and then back to the upright position.

GENERAL STATISTICS AND USEFUL TECHNICAL INFORMATION

ITEM	STANDARD	METRIC
FRESH WATER	1 gal	3.785 ltr
One gal	128 fl. oz	3,780 ml
One qt	32 fl. oz	946.35 ml
One gal	8.33 lb	3.75 kg
SEWAGE		
One gal	10.20 lb	4.59 kg
Feces per person per day*	.5 lb (26.12 fl. oz)	.23 kg (772.4 ml)
Urine per person per day*	1 qt (32 fl. oz)	.95 ltr
Non-Flush Tank Use & Capacity - (120 uses) 60 gal < 5 gal charge = 55 gal	7,040 fl. oz	208,200 ml
Flush Tank Use & Capacity - (75 uses) 40 gal < 5 gal charge = 35 gal	4,480 fl. oz	132,500 ml
Average person urination at special events = 8 - 10 fl. oz (237 - 296 ml)	9 fl. oz / average	266 ml / average
Sink Tank Use & Capacity - (400 uses) 20 gal	2,560 fl. oz	75.7 ltr
Sink foot pump dispenses 2 oz per stroke	6 fl. oz / average	177.44 ml / average
* per Portable Sanitation Association International (PSAI)		
NOTES:		
Weather conditions and consumption of foods, liquids and alcoholic beverages can increase usage by 30 to 40%.		
"Conservative" usage calculations based upon each user producing 59 fl. oz of waste and dispensing 6 fl. oz for hand washing.		

CLEANING AND MAINTENANCE

- Use a mild soap to clean all surfaces and component parts.
- The mirror is acrylic, do not use solvent based cleaners, use only a mild liquid soap. To maintain a gloss, use a flannel cloth with a good plastic cleaner or polish (*such as "Johnson's Pledge"*).
- Minor scratches and abrasions can be lightly sanded or scrubbed with a mild abrasive cleaner (*such as "Soft Scrub"*) that contains calcium carbonate, hypochlorate bleach and detergents. Be sure to follow the cleaning product directions since these ingredients may cause hazardous gases when mixed with other chemicals. Rinse the cleaned area and buff with a conventional wax.
- Some light scratches may also be hidden by using an industrial hot air gun.
- To keep the interior smelling fresh, spray the interior with a deodorant spray.

For a source of cleaning, deodorizing and paper products contact: