

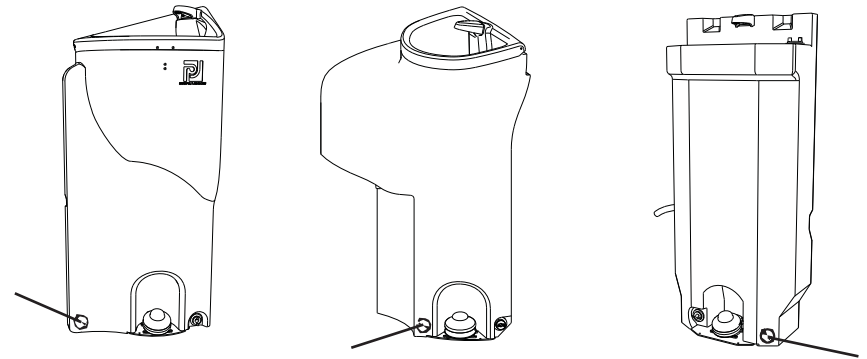
Drain Plug Replacement Instructions

~~Tools Required~~

- Drill with 1-3/4" Hole Saw
- Razor Knife

Installation

Step 1: If adding this drain to a sink that currently has a 1/2" drain plug, locate a flat area where there is enough space to put the 1" uniseal (2-1/2' Diameter). The recommended locations for PolyJohn sinks are located below.



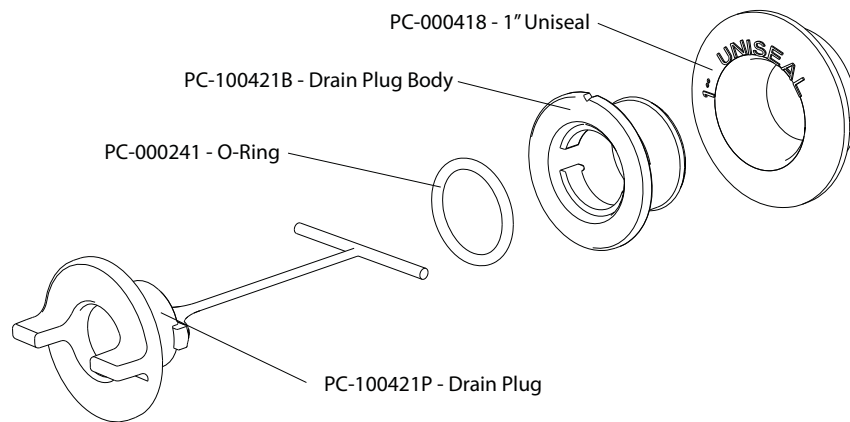
Step 2: Using a drill with a 1-3/4" hole saw, drill a hole in the location where the new drain plug is to be located. Clean any burrs or shavings off of the edge of the hole.

Step 2: If replacing a 1" drain plug as used on the Applause and Bravo sinks, remove the drain plug and drill over the spinweld using a drill with a 1-3/4" hole saw as shown in the picture below. Clean any burrs or shavings off of the edge of the hole. **NOTE: The fresh water drain plug on the Applause sink *cannot* be replaced with this drain plug.**



General Overview

This drain plug can be used in any holding tank or sink in which a drain is needed. The opening of the drain is almost 4 times larger than the standard 1/2" drain which means that your sink can drain about 4 times faster. This drain can be fitted directly where a 1" drain plug currently is or in any accessible flat spot in a holding tank or sink. It uses a simple quarter turn locking feature which makes draining the sink faster and easier.



CLEANING

Use a mild soap to clean all surfaces and component parts.

Step 3: Insert the uniseal in the hole. Push the drain plug body into the uniseal. If necessary, apply a bit of dishwashing soap around it and the inside surface of the uniseal to help.

Step 4: Making sure the o-ring is in place under the head of the drain plug, insert the drain plug into the body and turn clockwise until snug.



TERRA BOUND
SOLUTIONS™

20020 Hickory Twig Way | Spring, TX 77388

Tel: 1-877-857-2915

www.terraboundsolutions.com