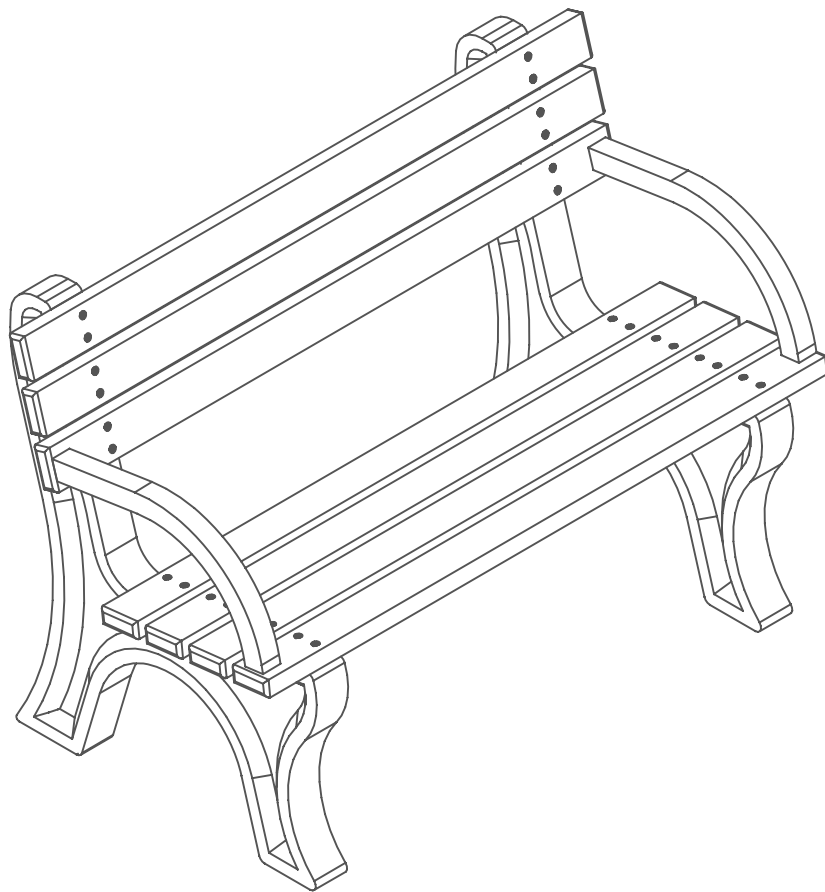


# 4 Foot Econo-mizer Park Bench w/ Arms

For Fastener Pack  
(FP-EM4BA-CU-02)



Congratulations !!

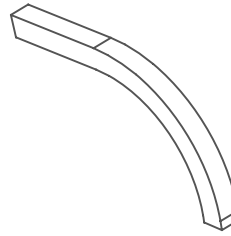
You have just purchased the finest recycled plastic  
park bench available. Enjoy !!!

Before assembly, please make sure all components are included.

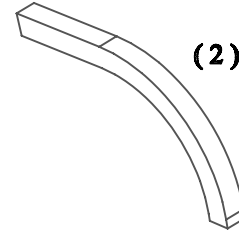


(1) - One Fastener Pack  
FP-EM4BA-CU-02

FP - Fastener Pack

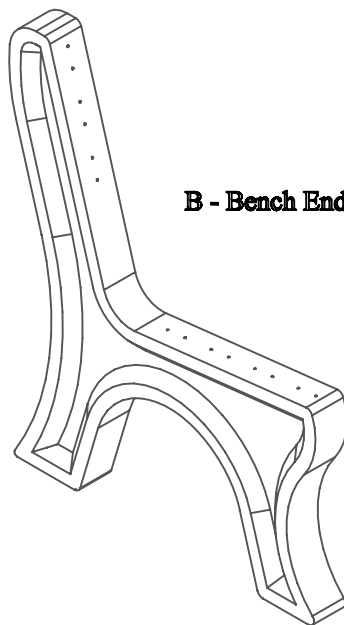


D- Bench Arm

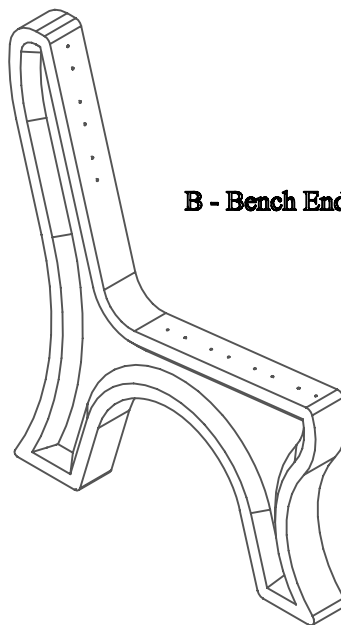


D- Bench Arm

(2) - Bench Arms  
BP-BA-A-01



B - Bench End



B - Bench End

(2) - Two Bench Ends  
PS-SBBE-D-02

•	A - Bench Board	•
•	A - Bench Board	•
•	A - Bench Board	•
•	A - Bench Board	•
•	A - Bench Board	•

(5) - Five Bench Boards  
BP-EM4B-A-02

•	•	C - Bench Board w/Arm holes	•	•
•	•	C - Bench Board w/Arm holes	•	•

(2) - Five Bench Boards  
BP-EM4BA-A-02

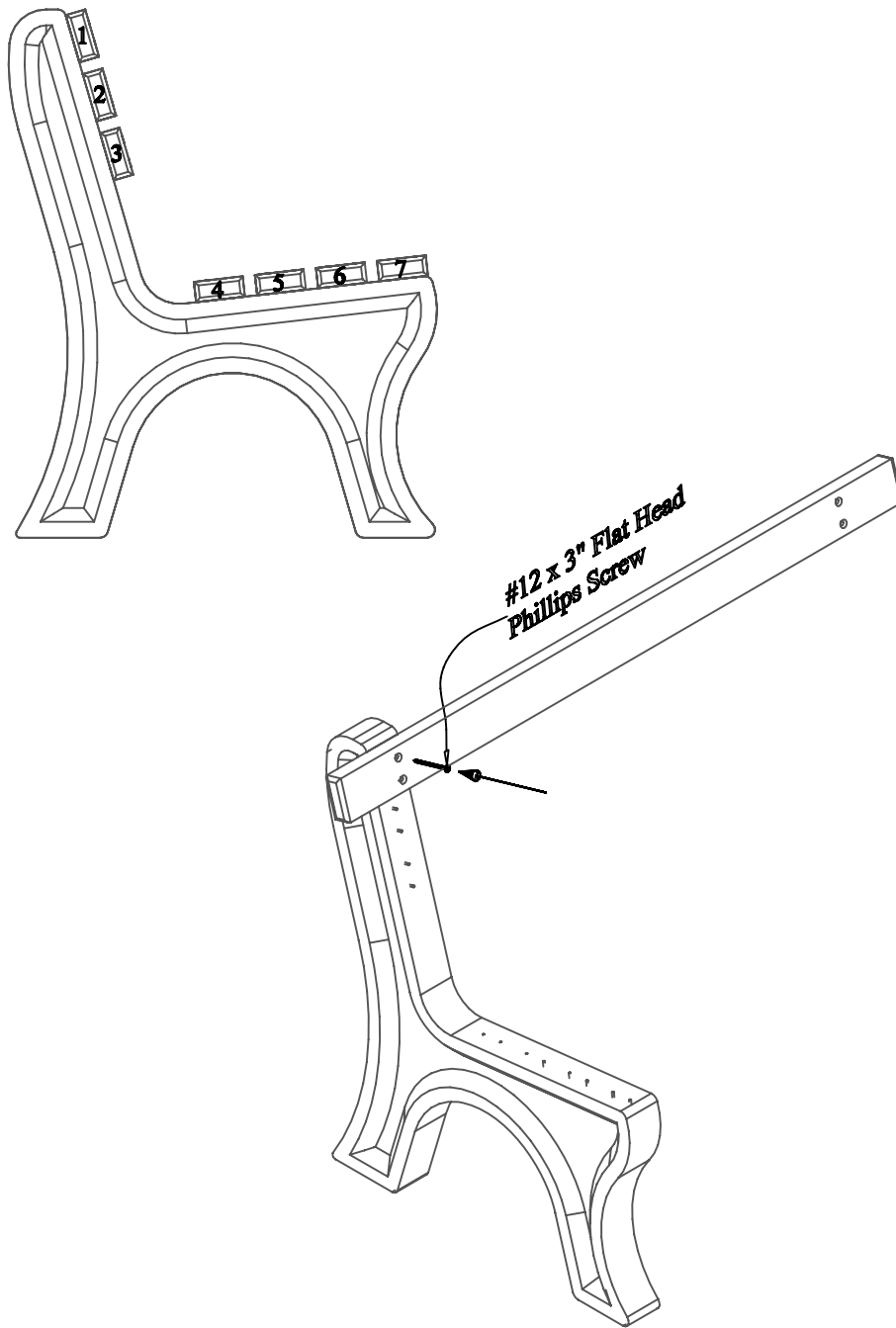
Before assembly, please make sure all fasteners are included.

32 - #12 x 3" Flat Head Phillips Screw



Also needed for this assembly will be the following materials:

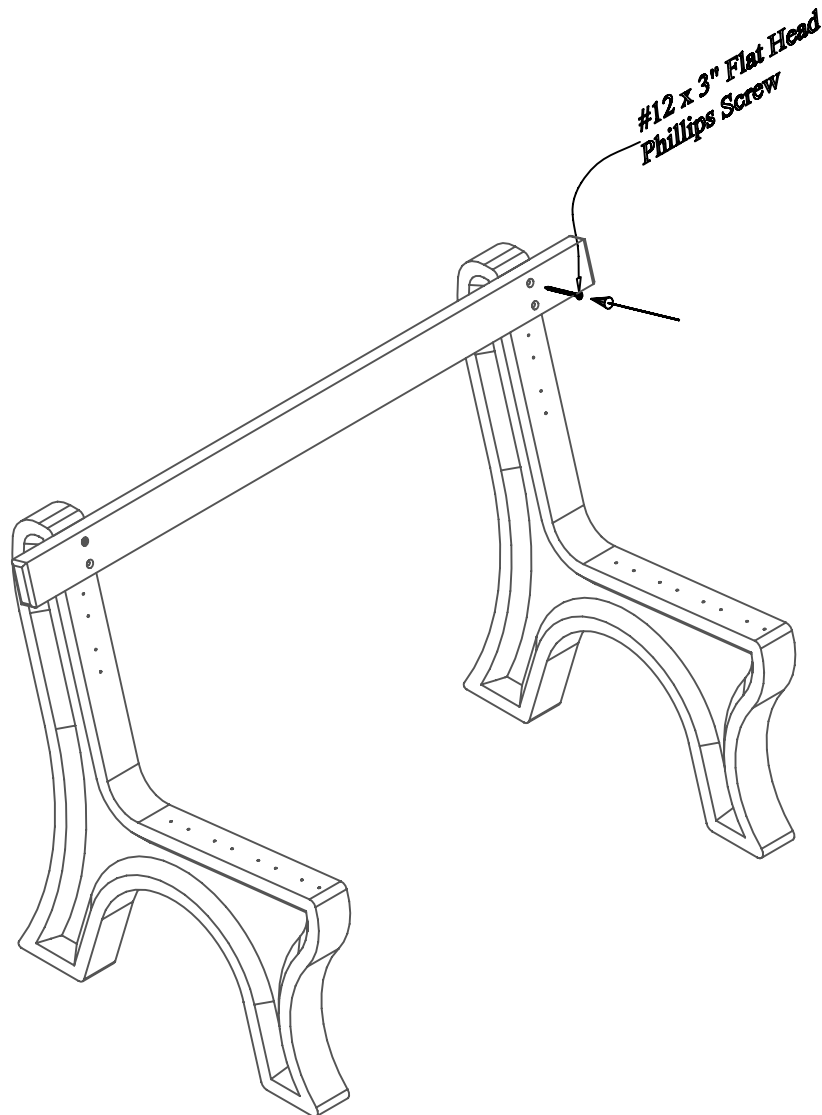
1 - #3 Phillips Drive Bit



### Step #1:

Stand (1) One bench end upright and place (1) One bench board on position 1 being sure to align the pre-drilled holes to the pilot holes in the bench end. After the holes are properly aligned, fasten with (1) One #12 x 3" Flat Head Phillips Screw in the top pre-drilled hole.

Note: Do not tighten screw completely. This will be done in a later step.



## Step #2:

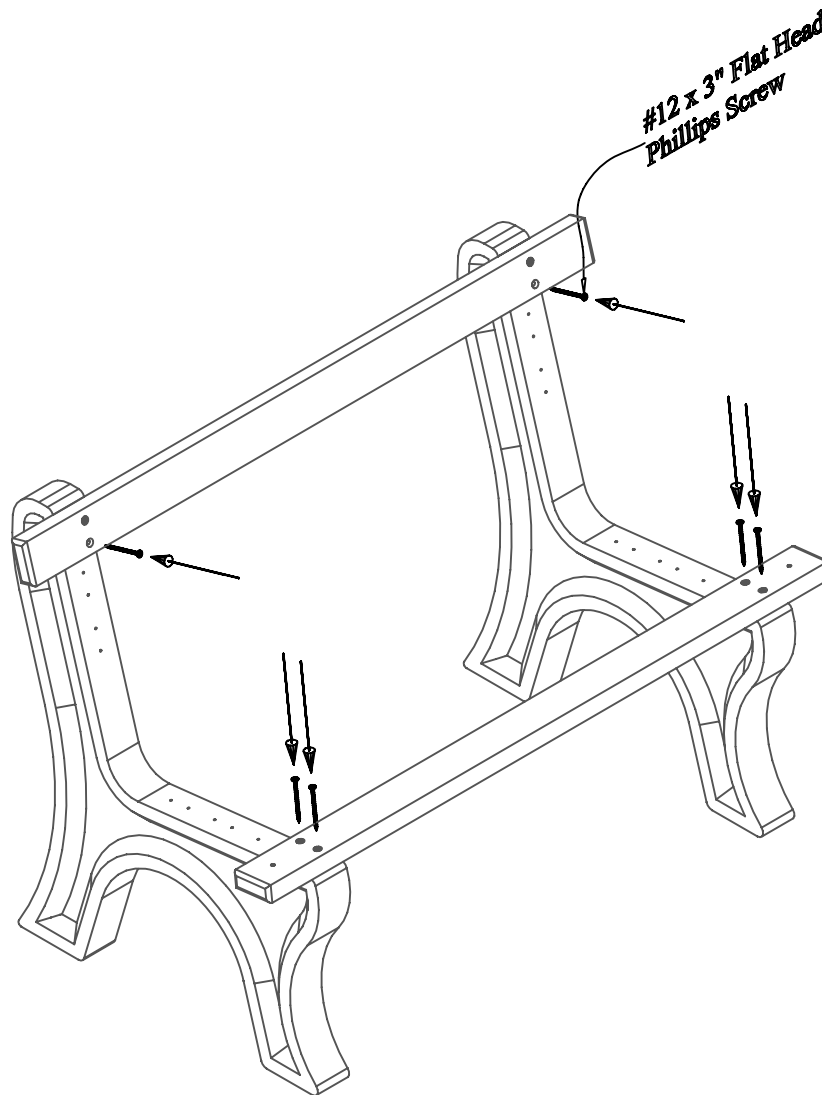
Stand the other bench end upright and place the bench board already attached to the first bench end, on position 1 being sure to align the pre-drilled holes to the pilot holes in the bench end. After the holes are properly aligned, fasten with (1) One #12 x 3" Flat Head Phillips Screw in the top pre-drilled hole.

Note: Do not tighten screws completely. This will be done in a later step.

### Step #3:

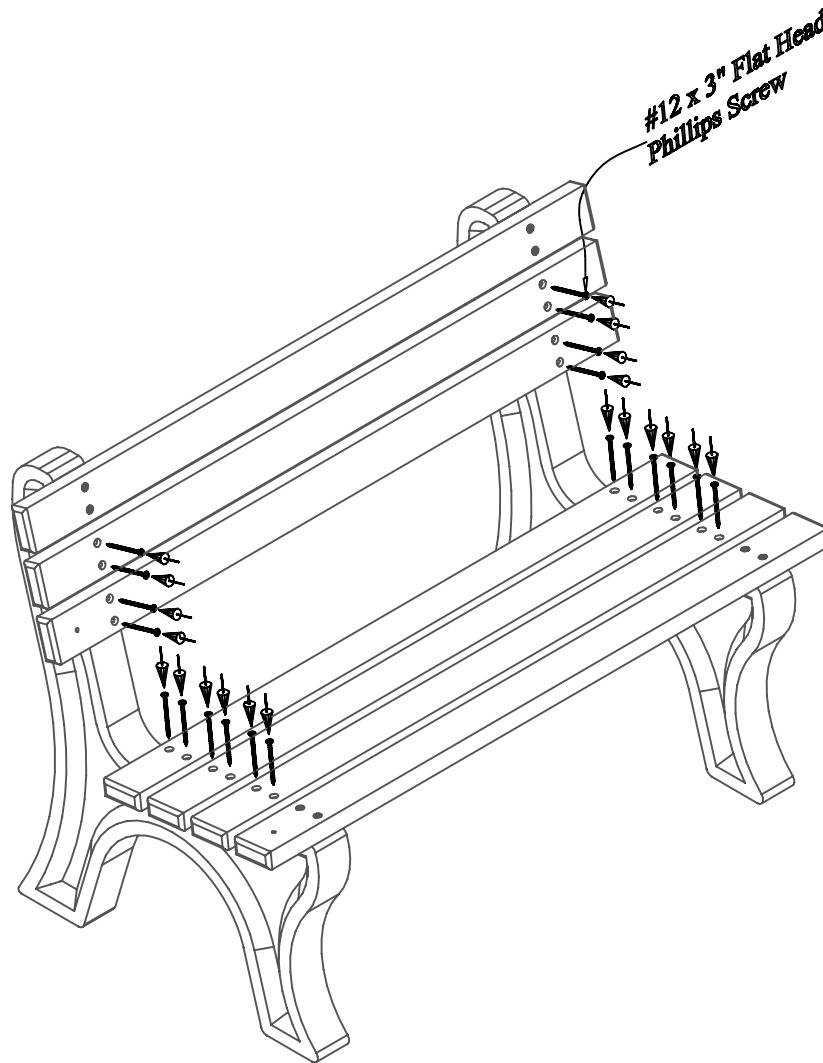
Align bottom pre-drilled holes to the pilot holes in the bench end. After the holes are properly aligned, fasten with (1) One #12 x 3" Flat Head Phillips Screw per hole.

Note: Be sure to tighten screws completely after this step.



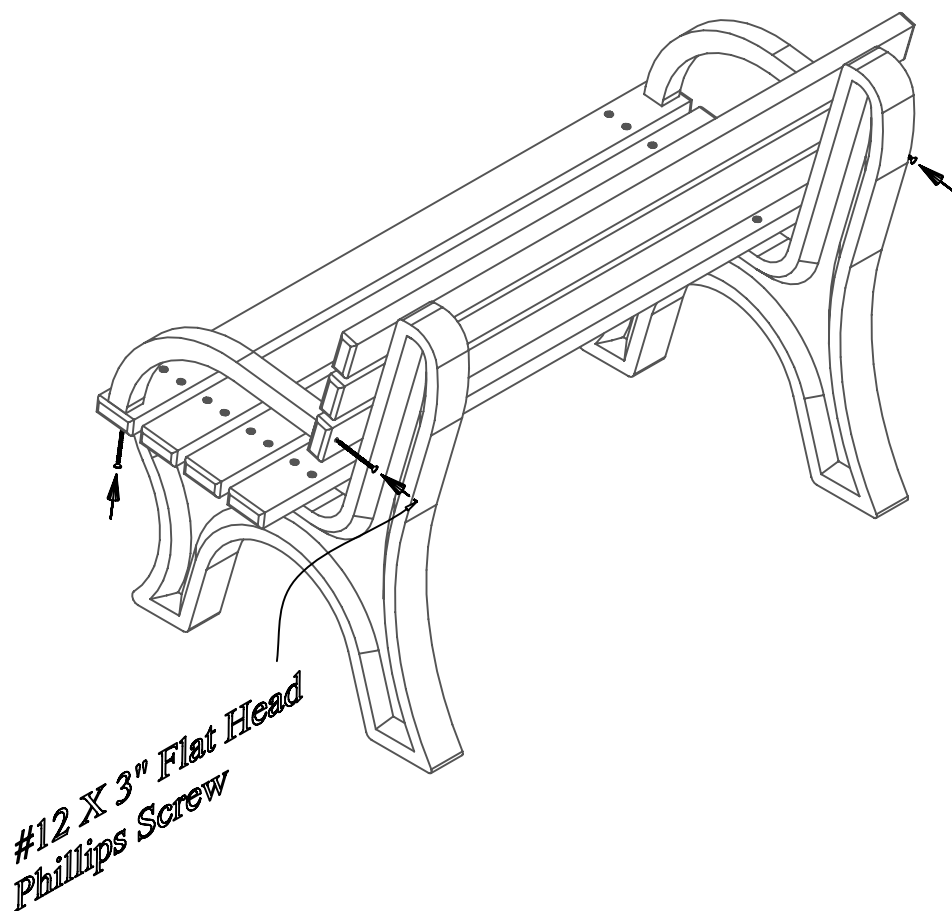
### Step #4:

Place a second bench board w/ arm holes on position 7. Repeat Steps 1 - 3 to attach. Use (1) One #12 x 3" Flat Head Phillips Screw per hole to fasten.



**Step #5:**

Repeat Steps 1 - 3 to attach bench boards on positions 2, 4, 5 & 6 and a bench board w/ arm holes on position 3. Use (1) One #12 x 3" Flat Head Phillips Screw per hole to fasten.



**Step #6:**

Position the bench arms as shown above. Align the pilot holes to the pre-drilled holes in the bench board w/ arm holes. After the holes are properly aligned, fasten with (1) One #12 x 3" Flat Head Phillips Screw per hole.