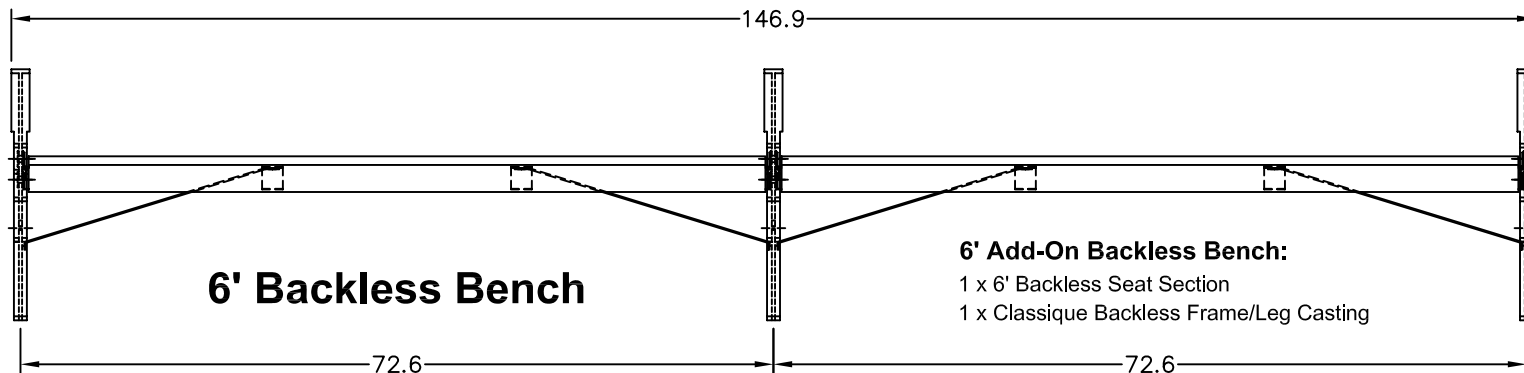
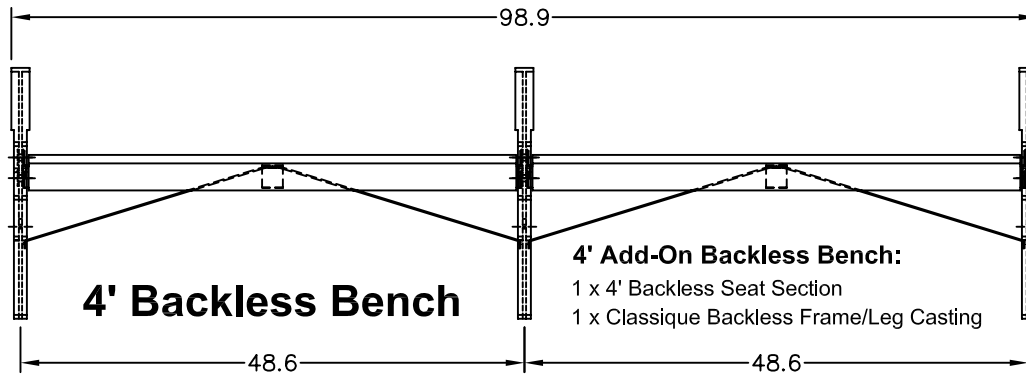
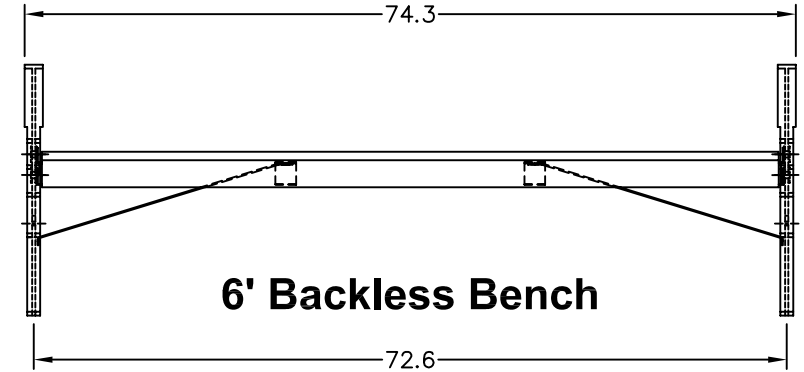
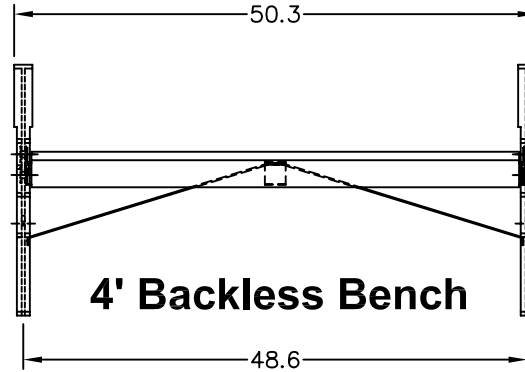
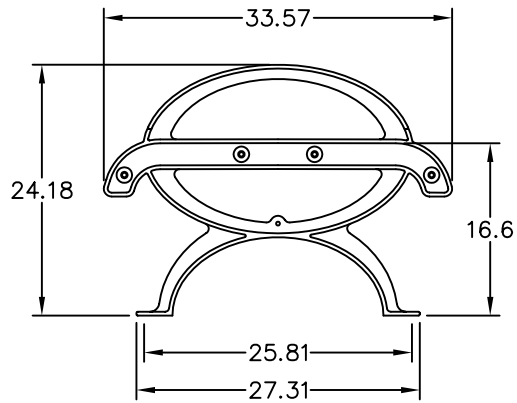


CLASSIQUE

4' & 6' Models - Specifications



Materials:

Stainless Steel Security Hardware and Carriage Bolts
11 ga. Galvanized Steel Brackets & Braces
Cast Iron Legs/Frames, 5/16" average wall thickness

Frame Finish:

Electrostatically Applied Polyester Powder Coat.

Note: Anchoring Hardware Not Included