

# Petersen Mfg. Co., Inc.



## GENERAL SPECIFICATIONS:

### MANUFACTURER'S QUALIFICATIONS

Petersen Mfg. maintains at all times a quality control program as herein outlines so as to insure that all steel meets all requirements as specified under physical requirements. All steel shall be manufactured by skilled workmen who have at least five years experience in similar work.

### MANUFACTURING

Welding - Structural welding shall conform to the requirements of AWS D1.1, Structural Welding Code-Steel, 1998 Edition, published by the American Welding Society.

Welding Process - Welding process shall conform to the recommended practices and guidelines for Gas Metal Arc Welding listed in (AWS C5.6, Gas Metal Arc Welding, Recommended Practices published by the American Welding Society).

All tolerances shall be within 1/8" of specified dimensions unless otherwise specified.

### MATERIALS

A36 Grade Steel, Pickling Process (Mill Scale Stripping). Permeated Oil Bath, Tensile Strength 58000-80000 psi and Yield Strength 36000 psi.

### PHYSICAL CHARACTERISTICS

Phosphate cleaned and coated per TT-C-490, then oven dried. Powder Coat is then applied to a thickness of 7-15 mils. Color is to be uniform throughout as approved by owner or specifier in accordance with manufacturer's recommendation.

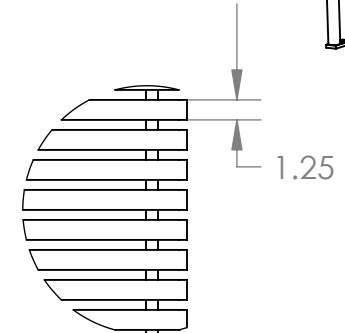
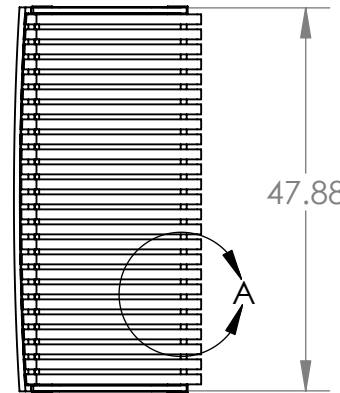
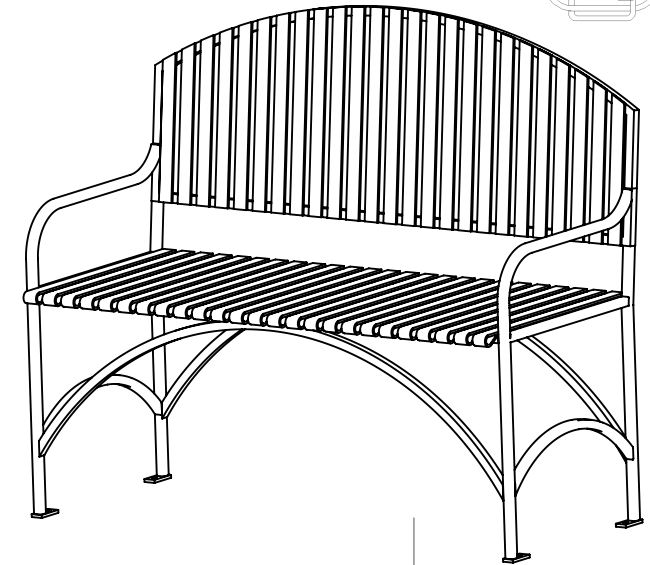
### REQUIRED MATERIALS FOR APPROVAL

- A. Shop drawings with dimensions, general construction component parts, anchoring details and installation.
- B. Samples upon request of architect.
- C. Complete data on manufacturer's specifications and technical information.

### APPROVED MANUFACTURER:

Petersen Mfg. Co., Inc.  
2471 Hwy 30 P.O. Box 664 Denison, IA 51442  
712-263-2442

Model:EB48  
Weight:260 LBS



DETAIL A  
SCALE 1 : 12

